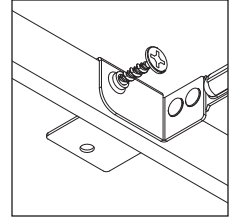
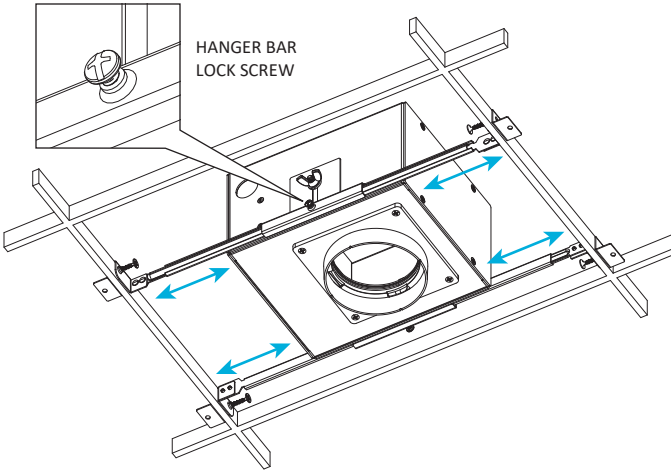


PRODIGY

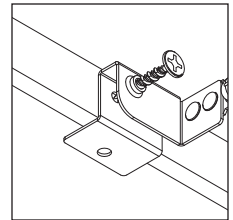
RGY3 SERIES INSTALLATION GUIDE

STEP 1 - ADJUST AND SECURE HOUSING TO CEILING FRAME

Loosen secure screws to extend hanger bars to appropriate distance and collar center position, lock or fix on ceiling frame depends on the ceiling types.



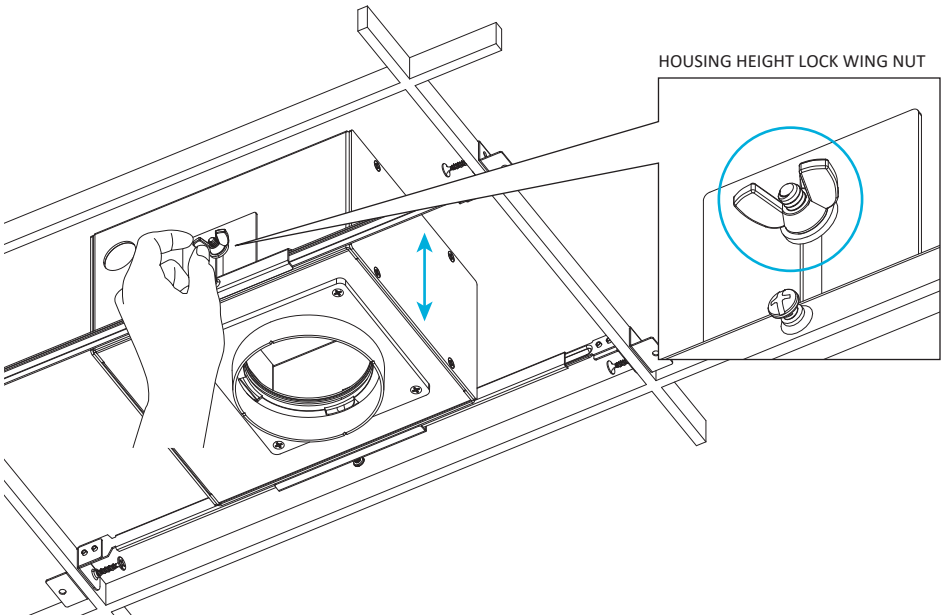
T-BAR



WOOD

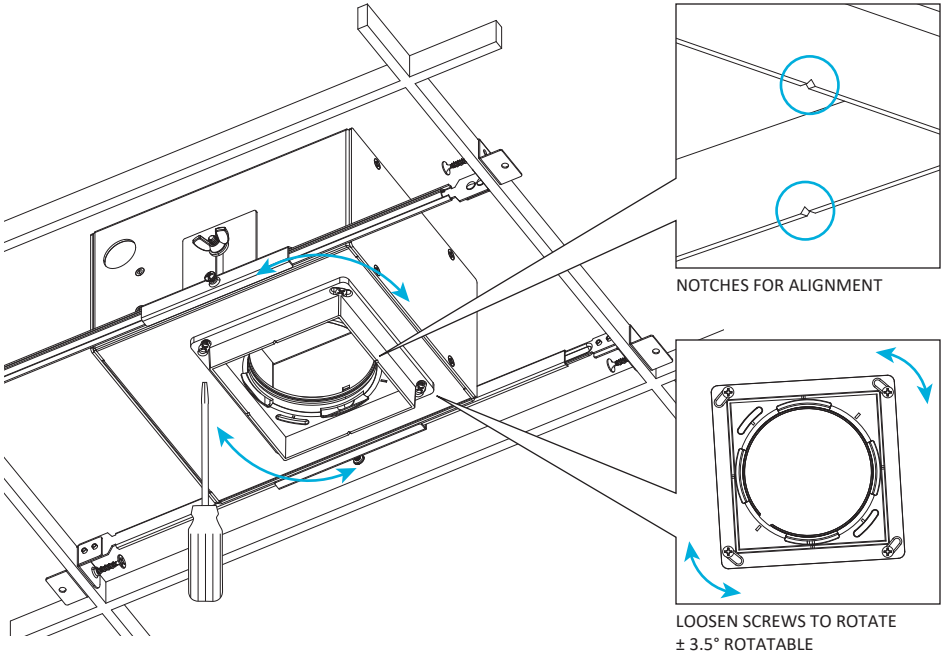
STEP 2 - ADJUST HOUSING HEIGHT

Loosen wing nuts on both side of housing to adjust housing height if necessary.



STEP 2 - SQUARE COLLAR ADJUSTMENT (OPTIONAL)

Sqaure collar can be rotated $\pm 3.5^\circ$ for parallel alignment by lossen collar lock screws if necessary.



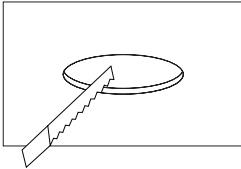
STEP 4 - CUT OUT AND INSTALL CEILING

Cut appropriate aperture shape and size refer to size below and install ceiling.

ROUND CUT-OUT SIZE

Flange: 3-5/8"

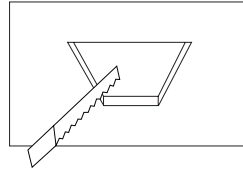
Flangeless: 3-15/16"



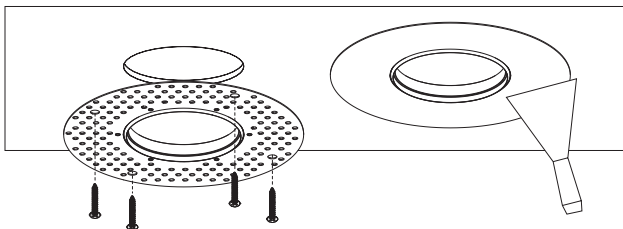
SQUARE CUT-OUT SIZE

Flange: 3-5/8" x 3-5/8"

Flangeless: 3-15/16" x 3-15/16"



For trimless type, attach mud ring to ceiling with screws and cover with a thin layer finish plaster.

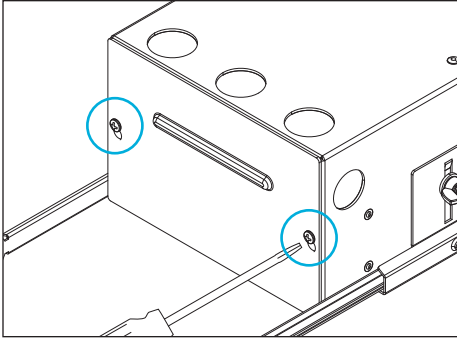


STEP 5 - MAKE ELECTRICAL CONNECTION

Follow the steps to connect supply wires.

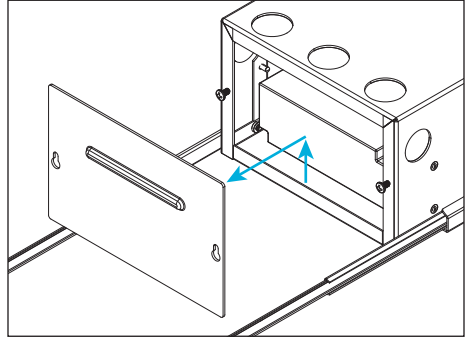
STEP 5-1

Loosen junction box cover screws.



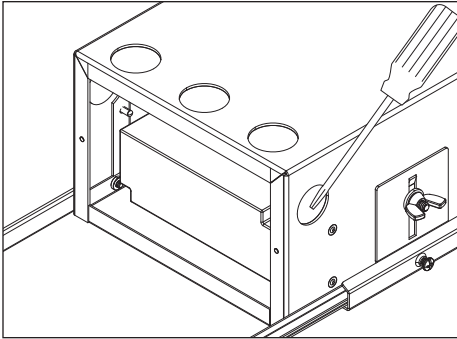
STEP 5-2

Push out junction box cover.



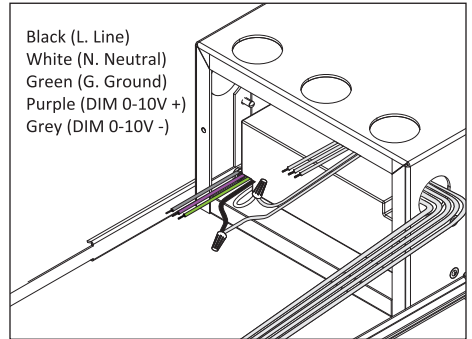
STEP 5-3

Remove knock-out(s) where needed with screwdriver.



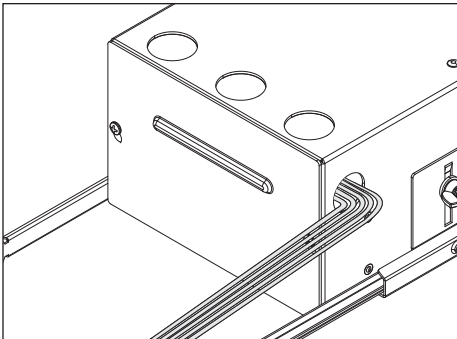
STEP 5-4

Pass through supply wires and connect with wire nuts.



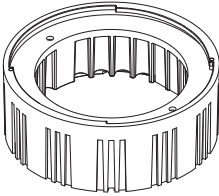
STEP 5-5

Reattach and lock junction box cover.

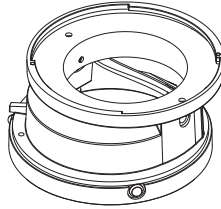


STEP 6 - MODULE COMBINATION

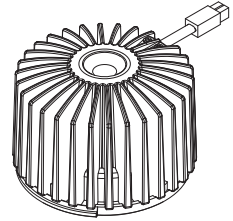
Select components according to requirement.



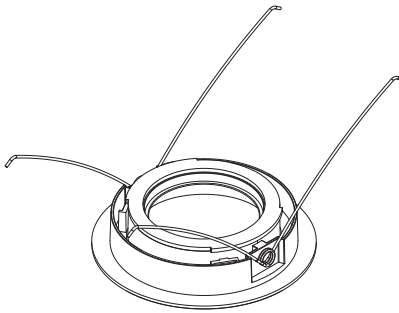
FIXED MODULE HOLDER



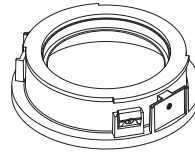
ADJUSTABLE MODULE HOLDER



LED MODULE & HEATSINK



FLANGED TRIM



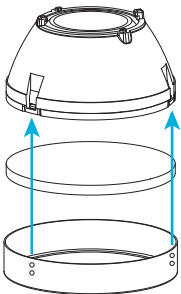
FLANGELESS TRIM

STEP 7A - ASSEMBLE AND INSTALL FIXED MODULE

For adjustable module, refer to Step 7B

STEP 7A-1

Add desired media to optic media holder, align notches and snap onto optic lens.



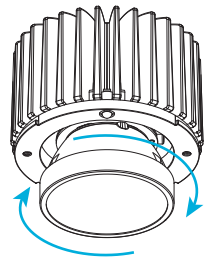
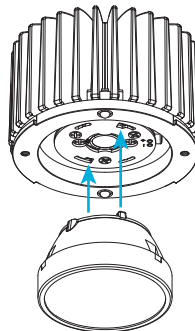
Ø50 mm FIX MODULE OPTIC LENS

FILTER THICKNESS: 3 mm

FILTER HOLDER COMES WITH OPTIC LENS

STEP 7A-2

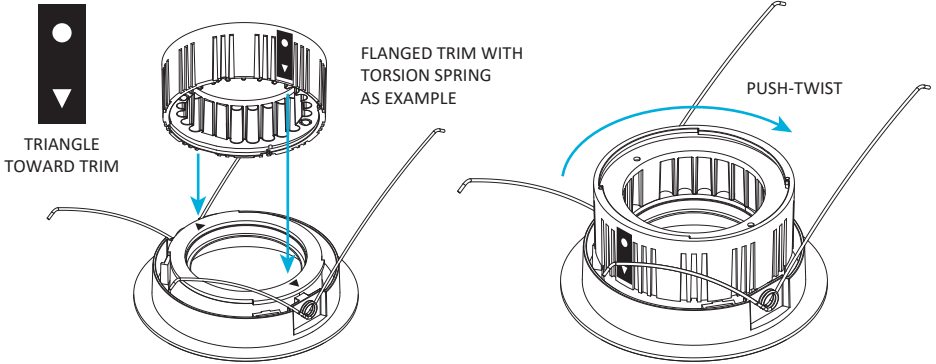
Align optic lens to LED module notches and twist clockwise to install it onto module.



RGY3 SERIES INSTALLATION GUIDE

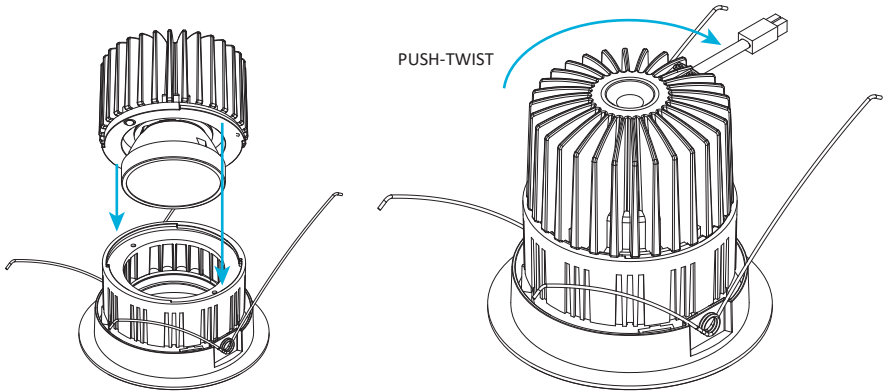
STEP 7A-3

Align notch indicators on holder and trim, and push-twist clockwise to secure together.



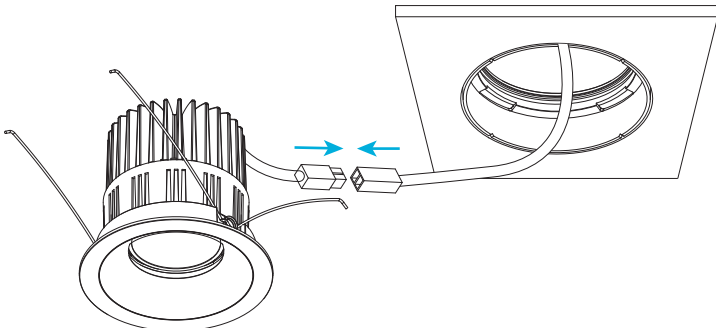
STEP 7A-4

Align notches on LED module and holder, and push-twist clockwise to secure together.



STEP 7A-5

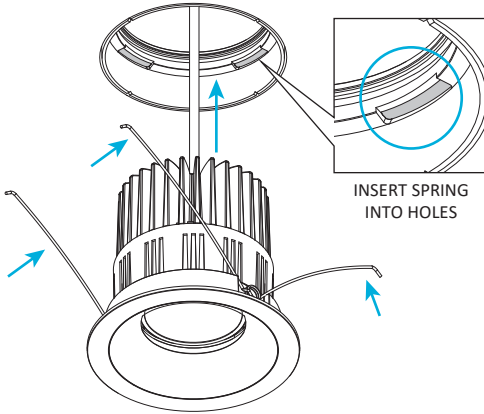
Connect assembled module to driver wire.



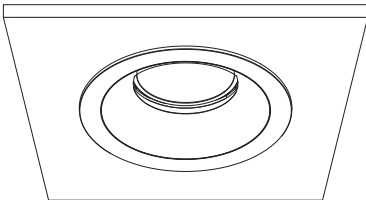
STEP 7A-6 - INSTALL MODULE INTO HOUSING

INSTALL FLANGED MODULE

Compress springs and insert module into housing.

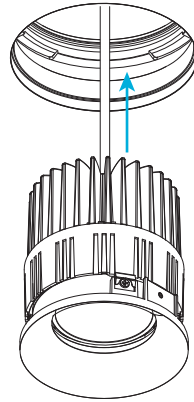


FLANGED MODULE
INSTALLATION FINISHED

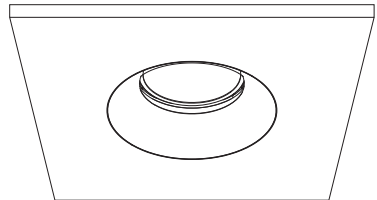


INSTALL FLANGELESS MODULE)

Insert module direct into housing.



FLANGELESS MODULE
INSTALLATION FINISHED

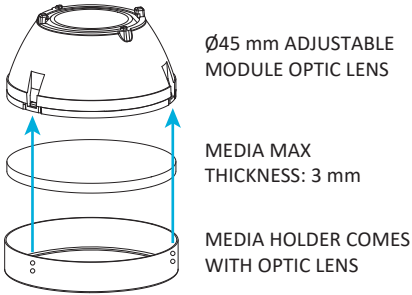


STEP 7B - ASSEMBLE AND INSTALL ADJUSTABLE MODULE

For fix module, refer to Step 5.

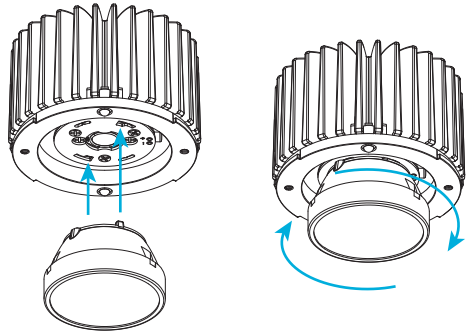
STEP 7B-1

Add desired media to optic media holder, align notches and snap onto optic lens.



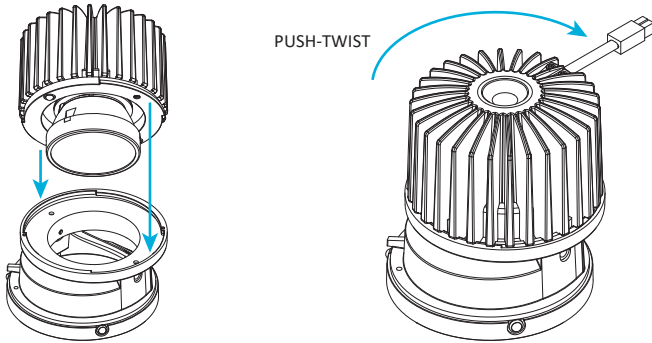
STEP 7B-2

Align optic lens to LED module notches and twist clockwise to install it onto module.



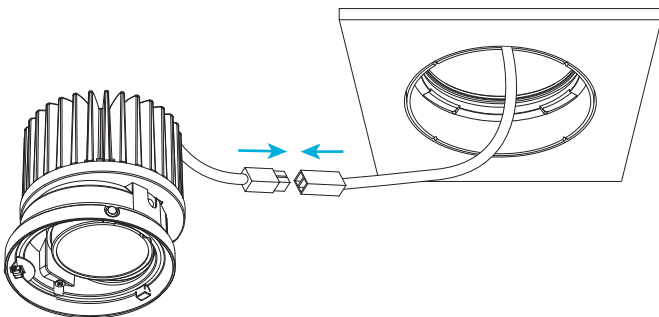
STEP 7B-3

Align notches on LED module and holder, and push-twist clockwise to secure together.



STEP 7B-4

Connect assembled module to driver wire.



RGY3 SERIES INSTALLATION GUIDE

STEP 7B-5

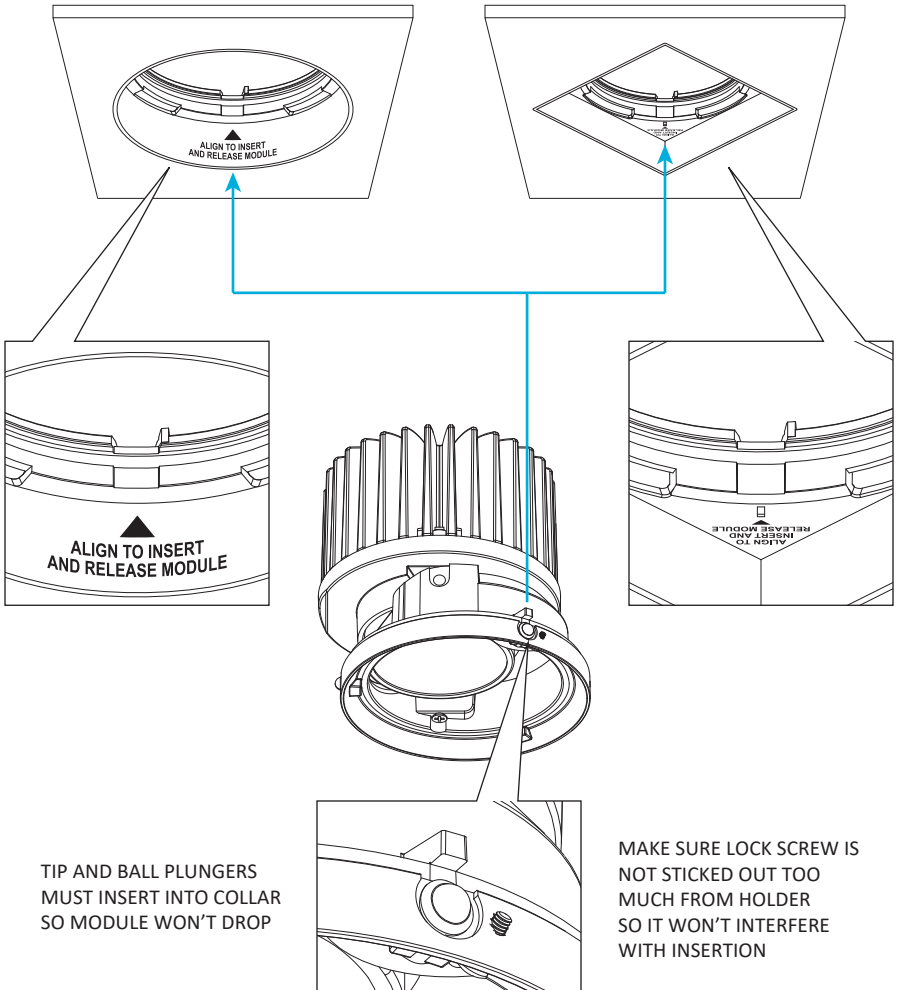
Align tip on module to indicator on collar to insert it into housing.

ROUND COLLAR
INDICATOR

▲
**ALIGN TO INSERT
AND RELEASE MODULE**

SQUARE COLLAR
INDICATOR

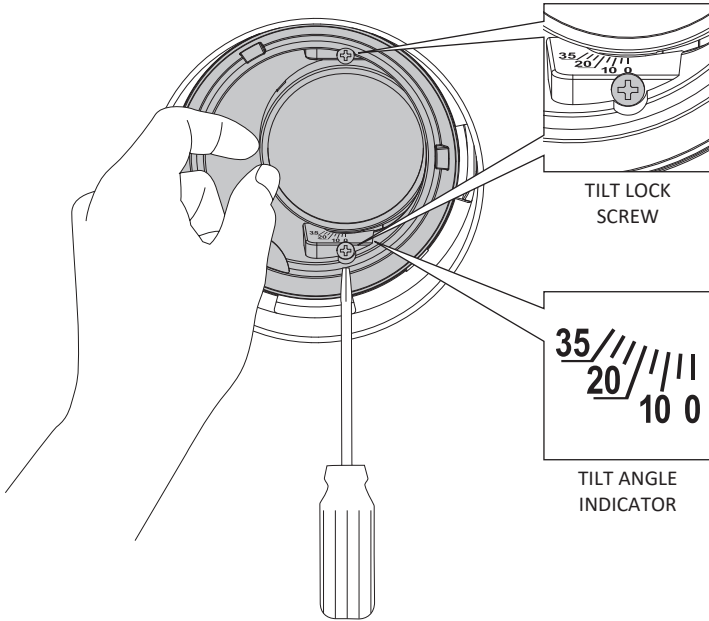
▼
**ALIGN TO
INSERT AND
RELEASE MODULE**



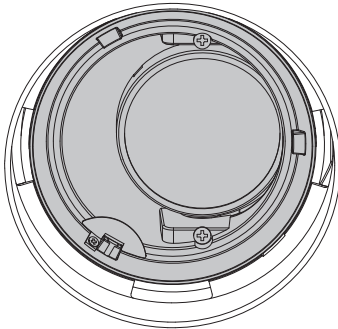
RGY3 SERIES INSTALLATION GUIDE

STEP 7B-6 TILT MODULE (OPTIONAL)

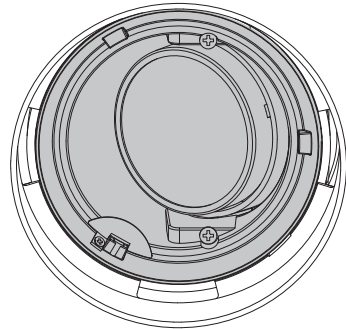
Loosen screws and use finger to adjust beam tilt angle for Open / Parabolic trim if necessary, max 35° tiltable. For Pinhole / Wallwash trim, keep tilt angle 0°.



EXAMPLE: TITLED 0°

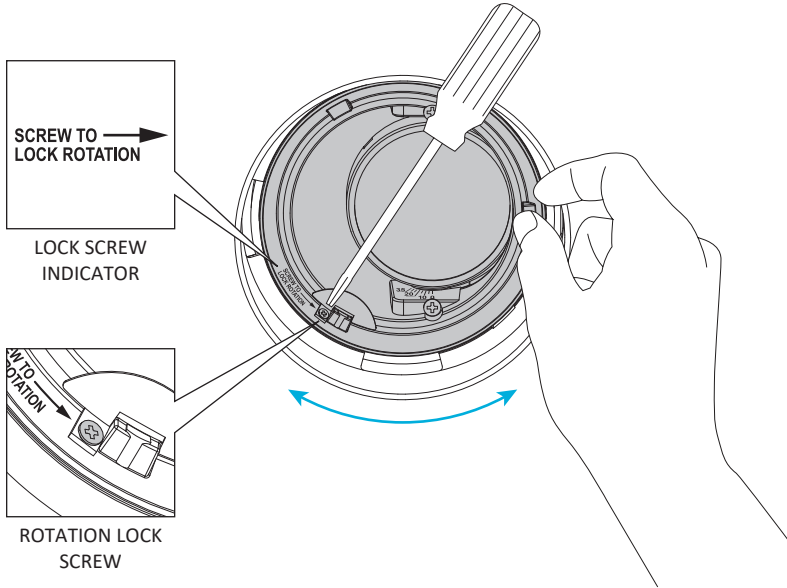


EXAMPLE: TITLED 35°

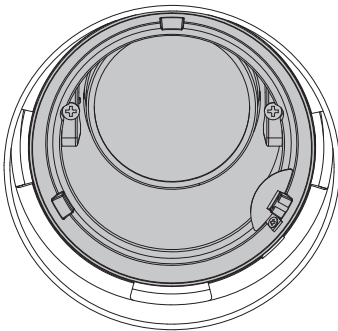


STEP 7B-7 ROTATE MODULE (OPTIONAL)

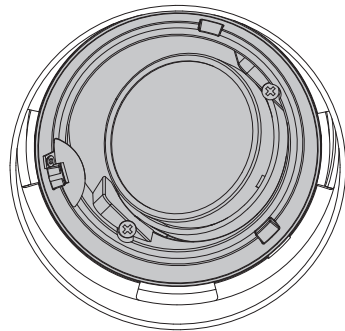
Loosen screw and use finger to rotate module if necessary, 360° rotatable both direction.



EXAMPLE: ROTATED WITH TITLED 0°



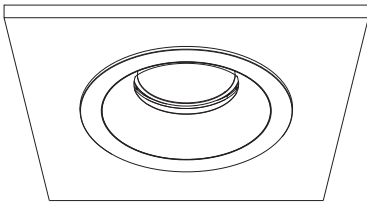
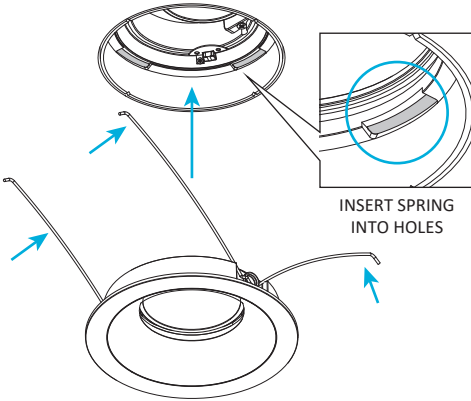
EXAMPLE: ROTATED WITH TITLED 35°



STEP 7B-8 INSTALL TRIM

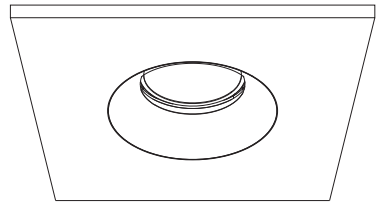
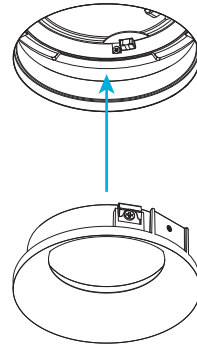
INSTALL FLANGED TRIM

Compress springs and insert trim into housing.



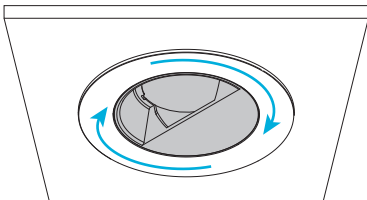
INSTALL FLANGELESS TRIM

Insert trim direct into housing.



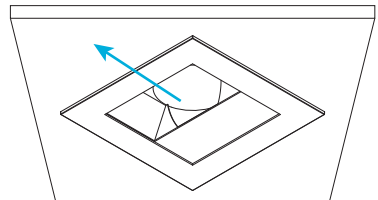
INSTALL ROUND WALLWASH TRIM

Insert into housing depends on trim style and rotate wallwash opening to wall.



INSTALL SQUARE WALLWASH TRIM

Point wallwash opening toward wall and insert into housing depends on trim style.



integer
Lights