

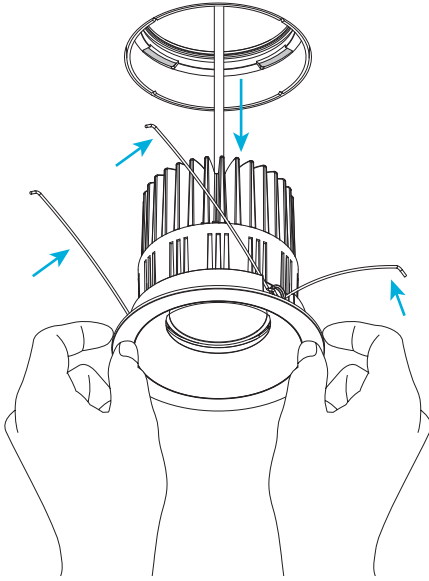
PRODIGY

RGY3 SERIES MAINTENANCE GUIDE

STEP 1 - REMOVE FIX MODULE FOR MAINTENANCE

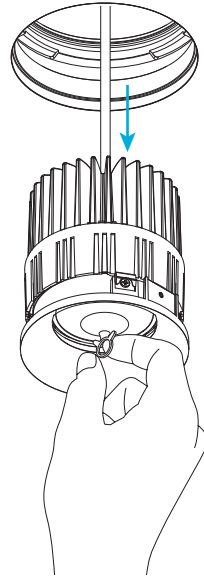
TO REMOVE FLANGED FIX MODULE

Pull out module and compress springs to separate from collar. Then disconnect from wire.

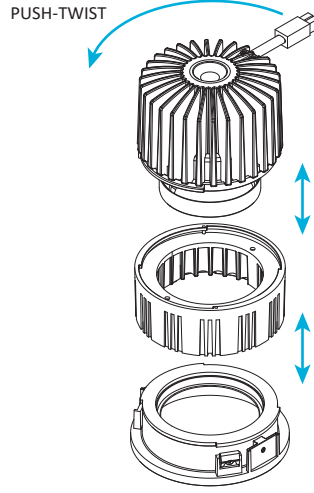
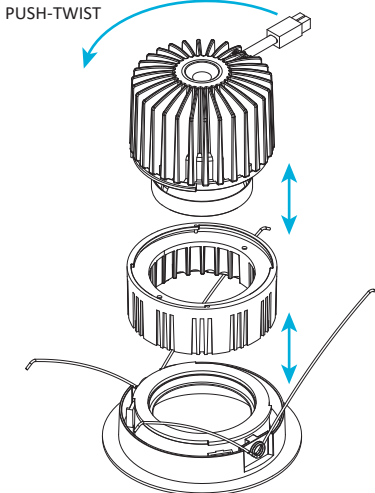


TO REMOVE FLANGELESS FIX MODULE

Use suction cup to pull out module. Then disconnect from wire.



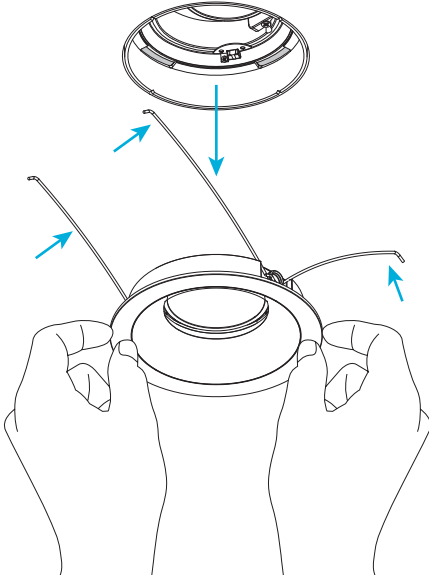
Now the fix module components can be push-twisted counterclockwise to disassemble safely. Refer to Step 5 to replace any desired component and install back into housing.



STEP 2 - REMOVE ADJUSTABLE MODULE AND TRIM FOR MAINTENANCE

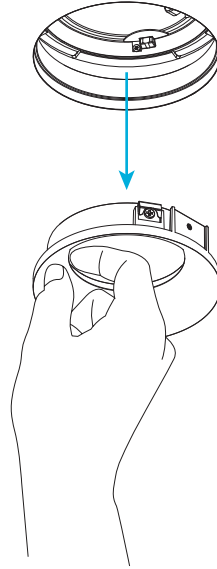
TO REMOVE FLANGED TRIM

Pull out trim and compress springs to separate it from housing. For trim replacement only, refer to Step 6-8.

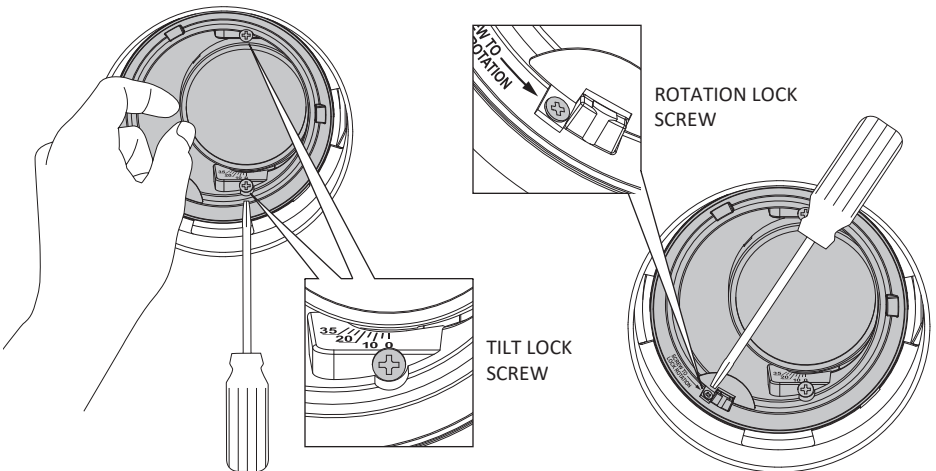


TO REMOVE FLANGELESS TRIM

Slightly push glass up and put finger into the gap between trim to pull it out from housing. For trim replacement only, refer to Step 6-8.



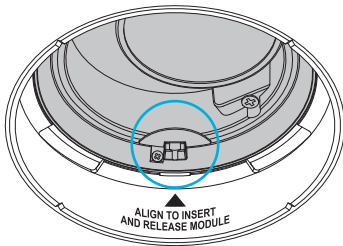
SET MODULE TILT ANGLE TO 0° AND LOOSEN ROTATION LOCK SCREW FIRST



ALIGN HALFMOON PLATE INSIDE MODULE TO INDICATOR ON COLLAR TO PULL IT FROM HOUSING. THEN DISCONNECT FROM DRIVER WIRE.

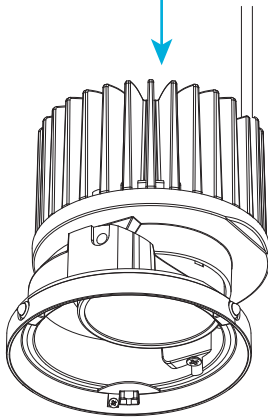
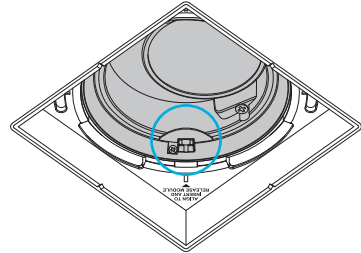
ROUND COLLAR
INDICATOR

▲
**ALIGN TO INSERT
AND RELEASE MODULE**

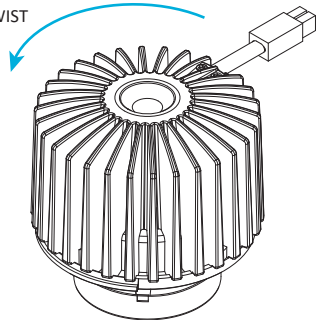


SQUARE COLLAR
INDICATOR

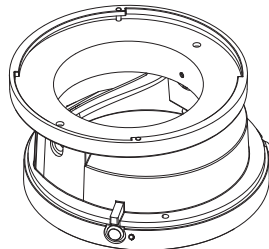
▲
**ALIGN TO
INSERT AND
RELEASE MODULE**
▼



PUSH-TWIST



Now the adjustable module can be push-twisted counterclockwise to disassemble safely. Refer to Step 6 to replace any desired component and install back into housing.

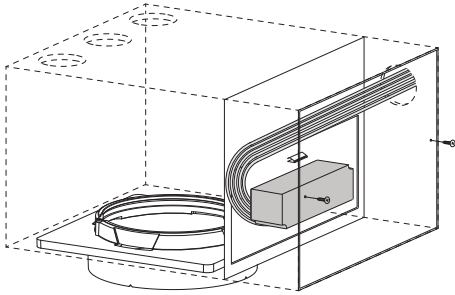


STEP 3a - DRIVER REPLACEMENT FROM ABOVE THE CEILING

Follow Step 1 or 2 to remove module and trim first.

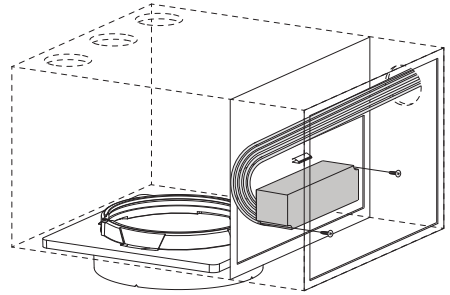
STEP 3a-1

Unscrew the driver side plate from the housing.



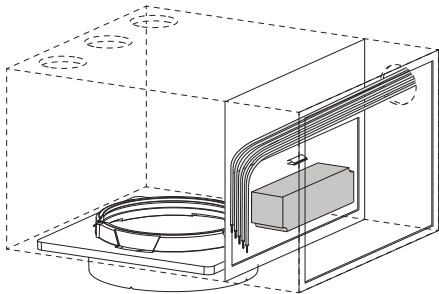
STEP 3a-2

Unscrew the driver from the mounting bracket.



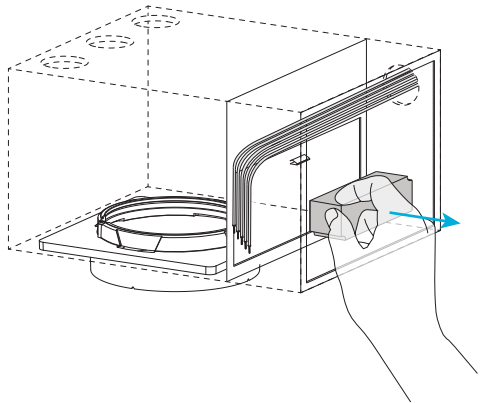
STEP 3a-3

Disconnect the supply wires from the driver.



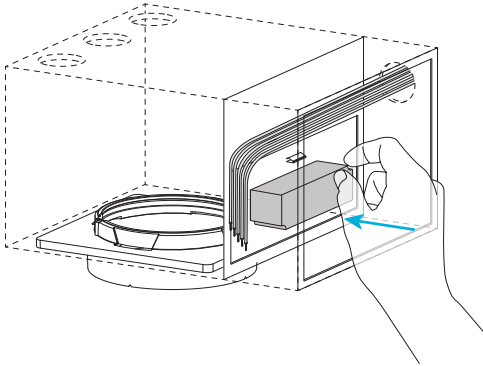
STEP 3a-4

Remove the driver through the above-ceiling access.



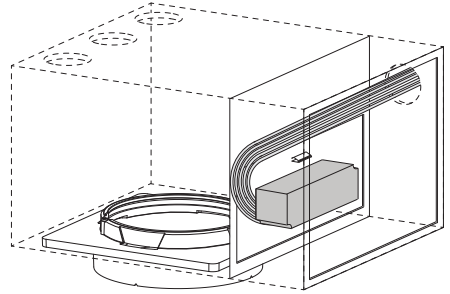
STEP 3a-5

Insert the new driver through the above-ceiling access.



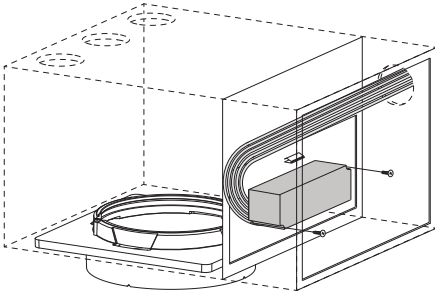
STEP 3a-6

Connect the supply wires to the driver.



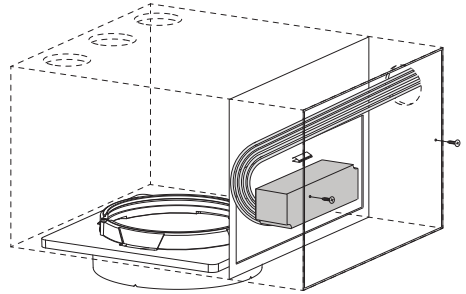
STEP 3a-7

Secure the driver to the mounting bracket.



STEP 3a-8

Reattach the driver side plate to the housing.

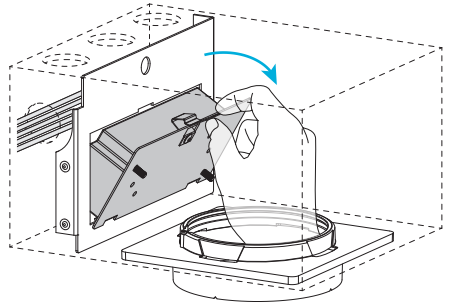
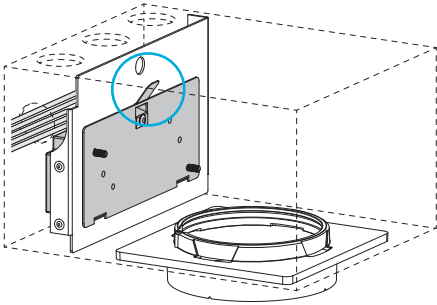


STEP 3b - DRIVER REPLACEMENT FROM BELOW THE CEILING

Follow Step 1 or 2 to remove module and trim first.

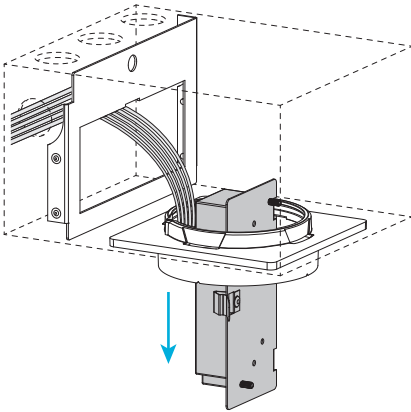
STEP 3b-1

Put hand into housing and compress driver plate retain spring, then pull to separate driver from housing.



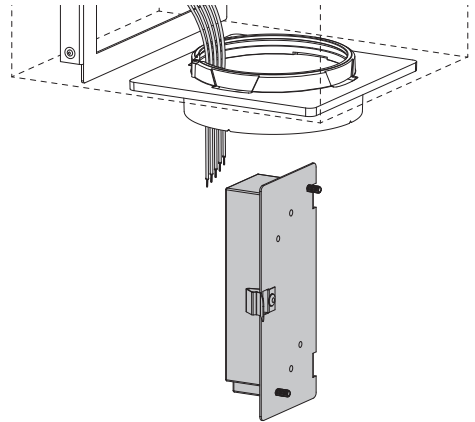
STEP 3b-2

Take out driver from collar opening.



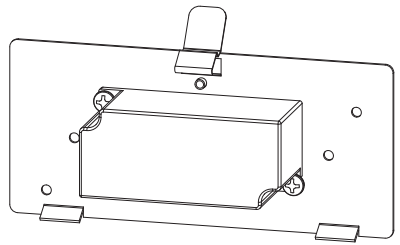
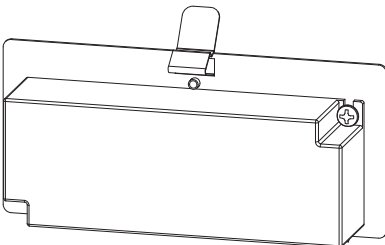
STEP 3b-3

Disconnect supply wires from driver.



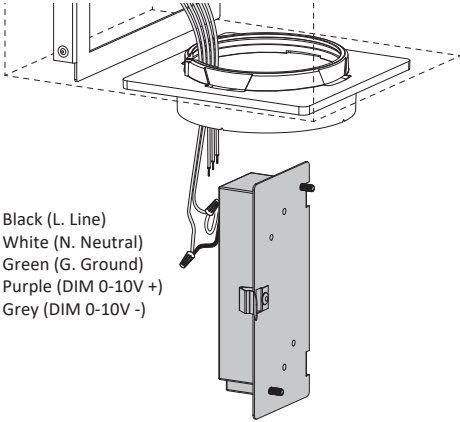
STEP 3b-4

Swap new driver onto driver plate. Choose correct screw holes according to ordered driver.



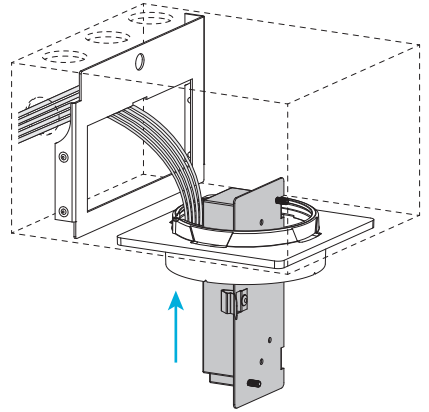
STEP 3-5

Connect supply wires back to driver.



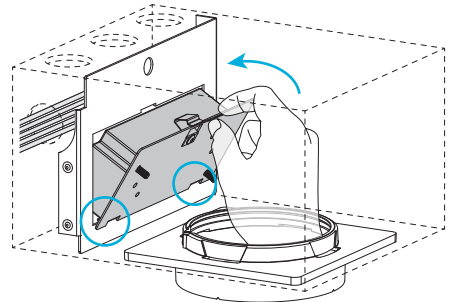
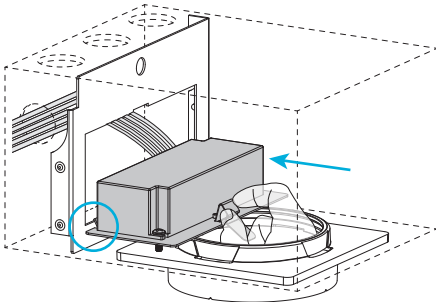
STEP 3-6

Put driver into housing.



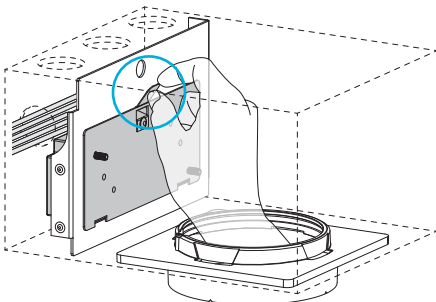
STEP 3-7

Store supply wires into junction box, push-in driver plate to touch housing notch, then lift it up.



STEP 3-8

Insert driver plate into driver bracket to finish driver swap and install module back into housing.

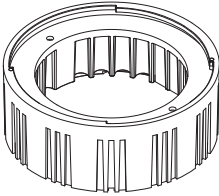


Refer to Step 5 to install fix module back into housing.

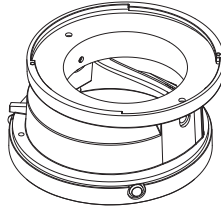
Refer to Step 6 to install adjustable module back into housing.

STEP 4 - MODULE COMBINATION

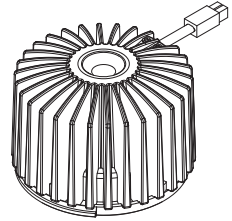
Select components according to requirement.



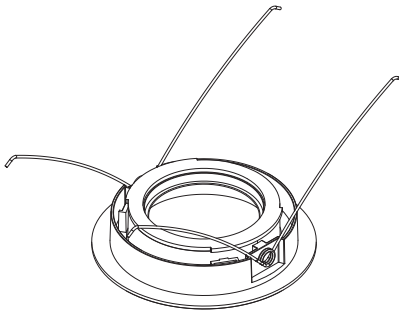
FIXED MODULE HOLDER



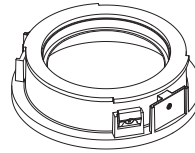
ADJUSTABLE MODULE HOLDER



LED MODULE & HEATSINK



FLANGED TRIM



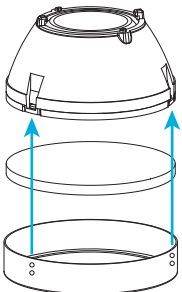
FLANGELESS TRIM

STEP 5 - ASSEMBLE AND INSTALL FIX MODULE

For adjustable module, refer to Step 6.

STEP 5-1

Add desired media to optic media holder, align notches and snap onto optic lens.



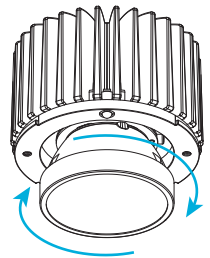
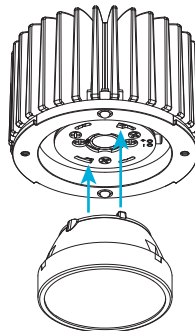
Ø50 mm FIX MODULE OPTIC LENS

MEDIA MAX THICKNESS: 3 mm

MEDIA HOLDER COMES WITH OPTIC LENS

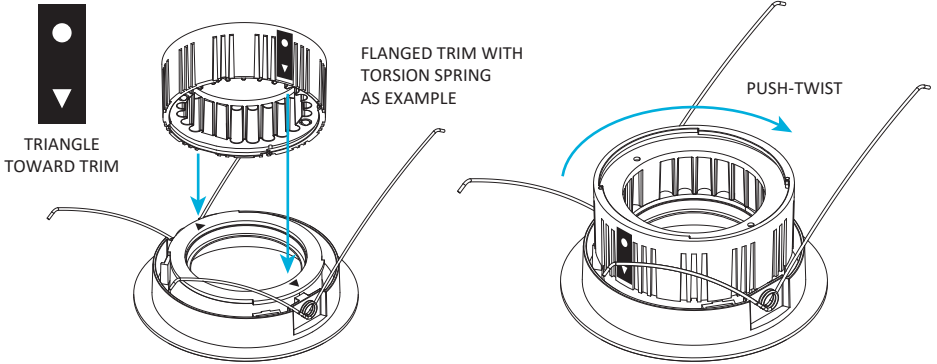
STEP 5-2

Align optic lens to LED module notches and twist clockwise to install it onto module.



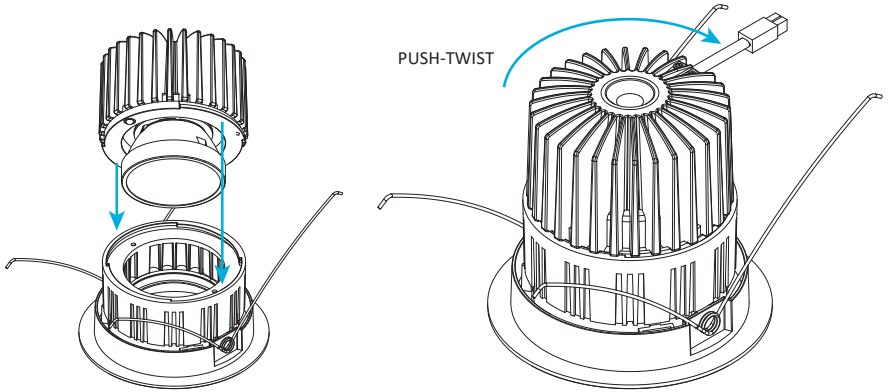
STEP 5-3

Align notch indicators on holder and trim, and push-twist clockwise to secure together.



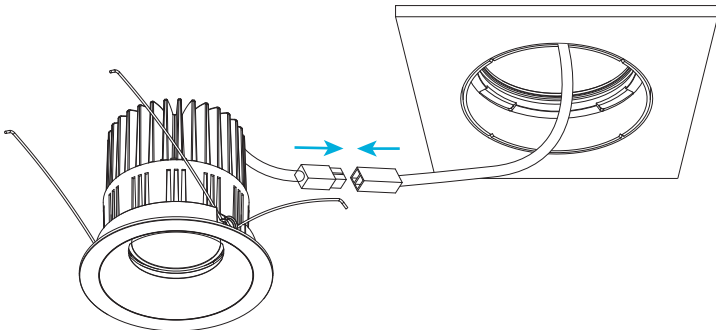
STEP 5-4

Align notches on LED module and holder, and push-twist clockwise to secure together.



STEP 5-5

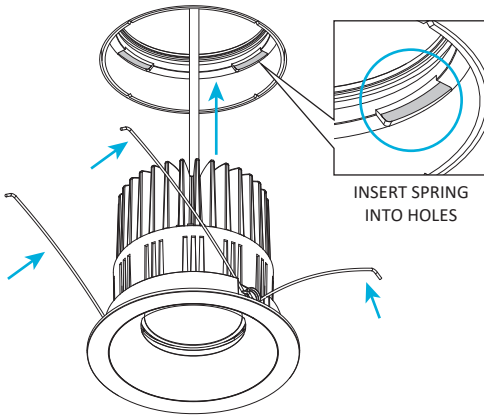
Connect assembled module to driver wire.



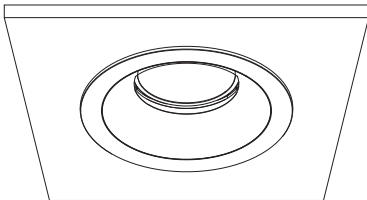
STEP 5-6 - INSTALL MODULE INTO HOUSING

INSTALL FLANGED MODULE

Compress springs and insert module into housing.

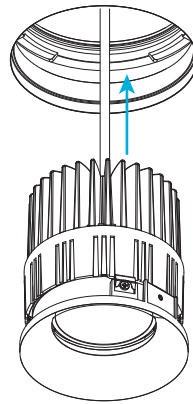


FLANGED MODULE
INSTALLATION FINISHED

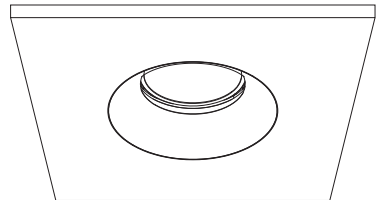


INSTALL FLANGELESS MODULE)

Insert module direct into housing.



FLANGELESS MODULE
INSTALLATION FINISHED

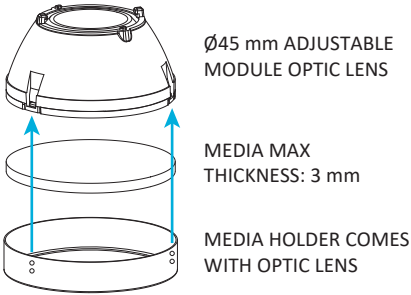


STEP 6 - ASSEMBLE AND INSTALL ADJUSTABLE MODULE

For fix module, refer to Step 5.

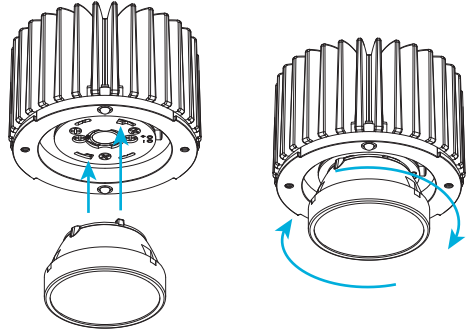
STEP 6-1

Add desired media to optic media holder, align notches and snap onto optic lens.



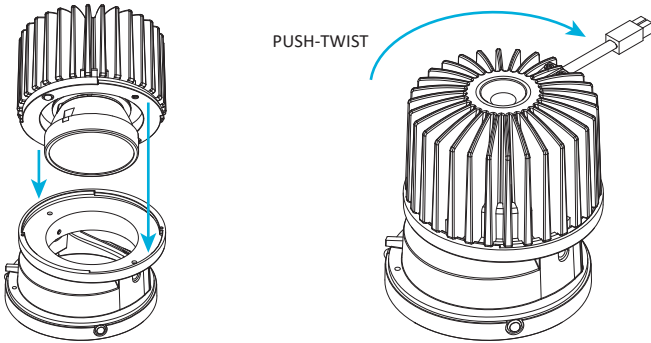
STEP 6-2

Align optic lens to LED module notches and twist clockwise to install it onto module.



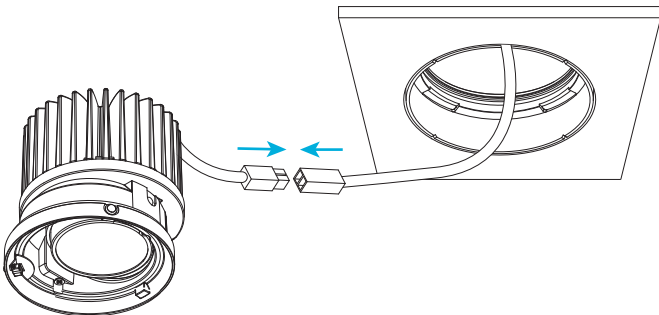
STEP 6-3

Align notches on LED module and holder, and push-twist clockwise to secure together.



STEP 6-4

Connect assembled module to driver wire.



STEP 6-5

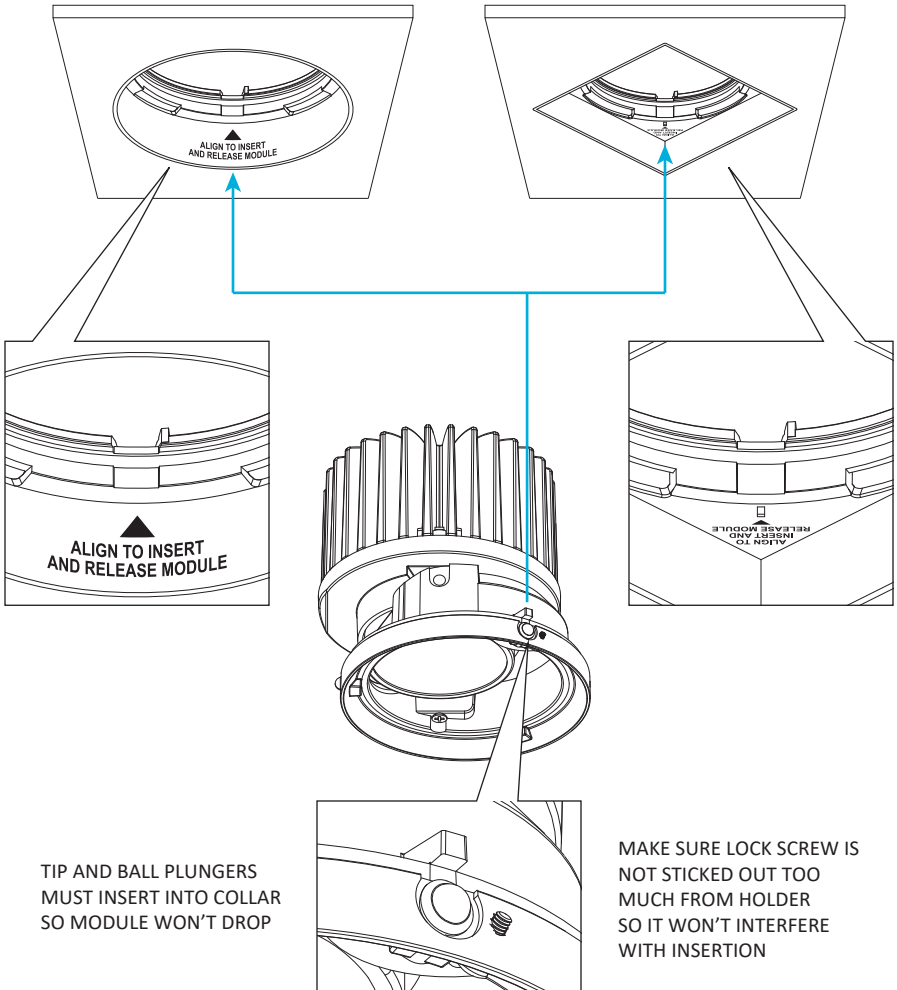
Align tip on module to indicator on collar to insert it into housing.

ROUND COLLAR
INDICATOR

▲
**ALIGN TO INSERT
AND RELEASE MODULE**

SQUARE COLLAR
INDICATOR

▼
**ALIGN TO
INSERT AND
RELEASE MODULE**

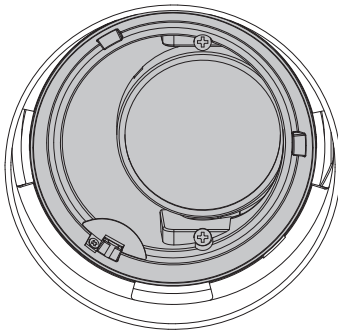


STEP 6-6 TILT MODULE (OPTIONAL)

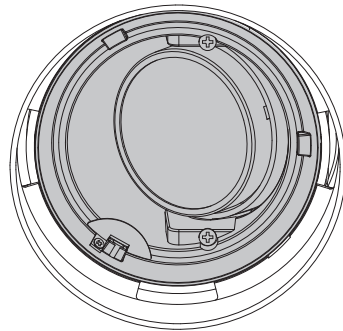
Loosen screws and use finger to adjust beam tilt angle for Open / Parabolic trim if necessary, max 35° tiltable. For Pinhole / Wallwash trim, keep tilt angle 0°.



EXAMPLE: TITLED 0°

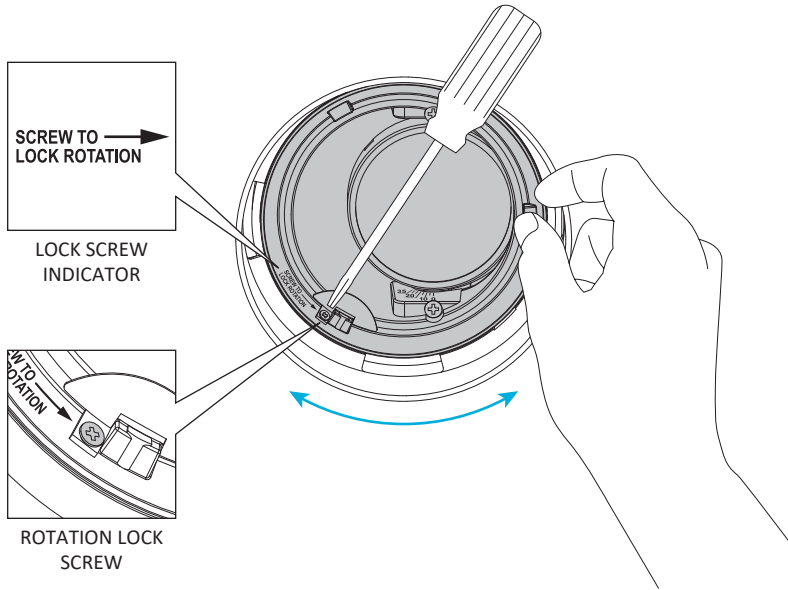


EXAMPLE: TITLED 35°

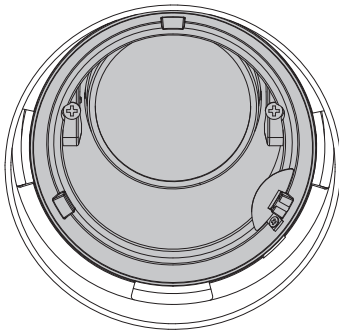


STEP 6-7 ROTATE MODULE (OPTIONAL)

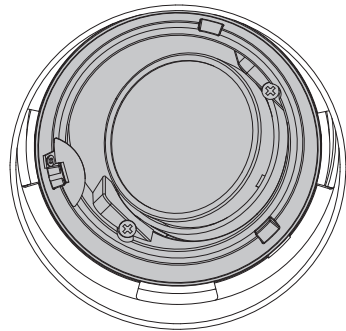
Loosen screw and use finger to rotate module if necessary, 360° rotatable both direction.



EXAMPLE: ROTATED WITH TITLED 0°



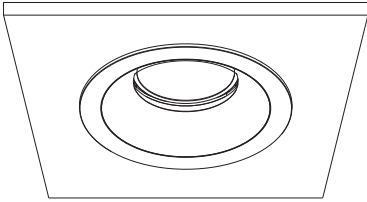
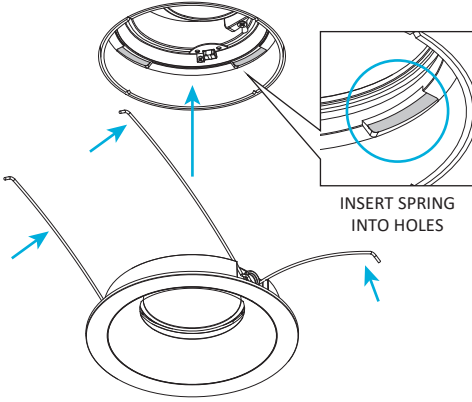
EXAMPLE: ROTATED WITH TITLED 35°



STEP 6-8 INSTALL TRIM

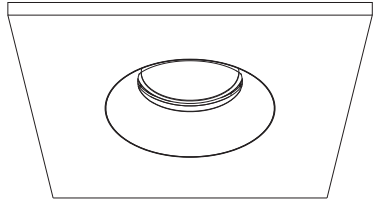
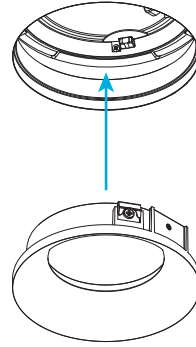
INSTALL FLANGED TRIM

Compress springs and insert trim into housing.



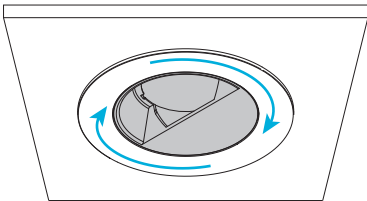
INSTALL FLANGELESS TRIM

Insert trim direct into housing.



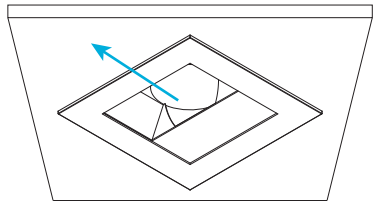
INSTALL ROUND WALLWASH TRIM

Insert into housing depends on trim style and rotate wallwash opening to wall.



INSTALL SQUARE WALLWASH TRIM

Point wallwash opening toward wall and insert into housing depends on trim style.



integer
Lights