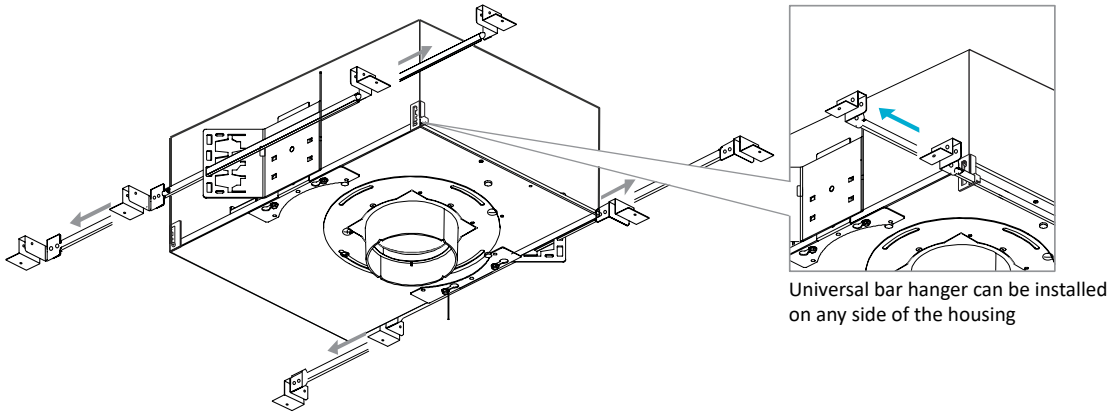


### STEP 1 HOUSING INSTALLATION

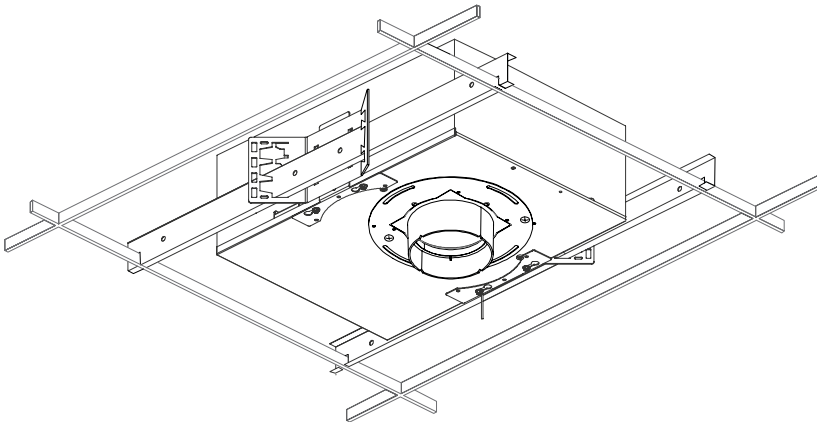
#### Universal Bar Hanger

Extend the universal bar hanger to the required length and secure it to the ceiling bracket.



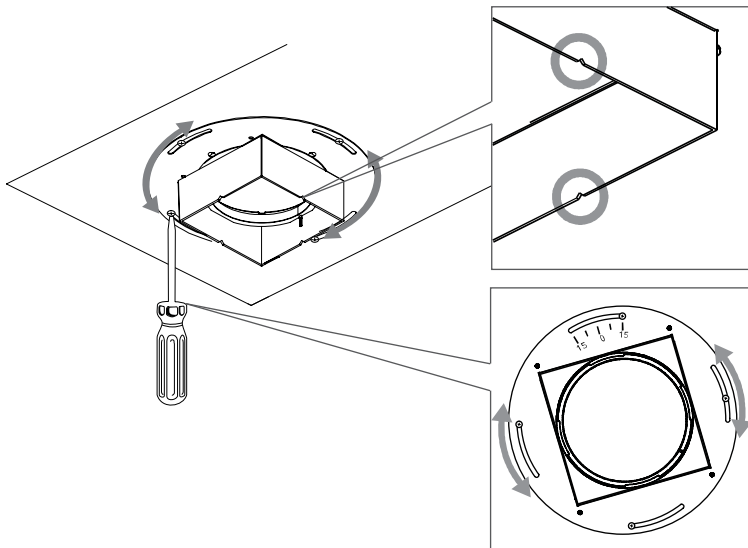
#### C-Channel Bar Hanger

Use the C-channel bar hanger to secure the housing to the ceiling bracket.



### STEP 2 COLLAR ADJUSTMENT

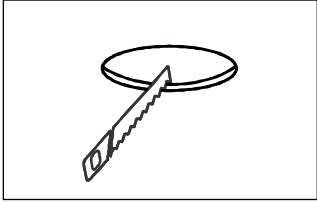
Square Collar can be rotated 15° clockwise or counterclockwise



### STEP 3 CEILING CUTOUT

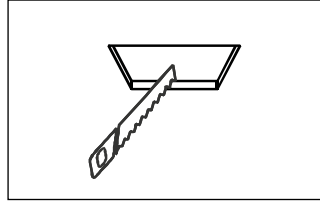
Cut the appropriate opening; refer to aperture size chart below.

#### ROUND



Aperture size	Cutout size
2"	3"

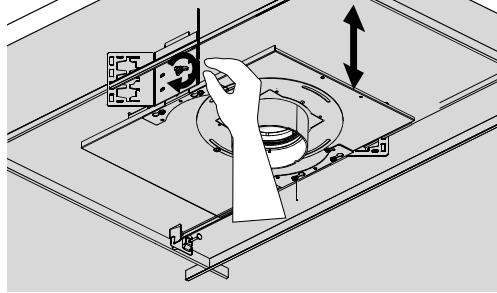
#### SQUARE



Aperture size	Cutout size
2"	3 1/8"

### STEP 4 HOUSING HEIGHT ADJUSTMENT

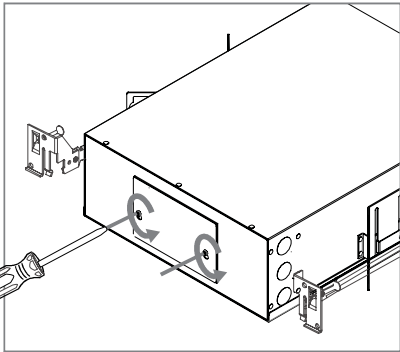
Adjust the housing height after the ceiling is installed. Loosen the wing nuts inside and set the housing to the desired height.



### STEP 5 ELECTRICAL CONNECTION

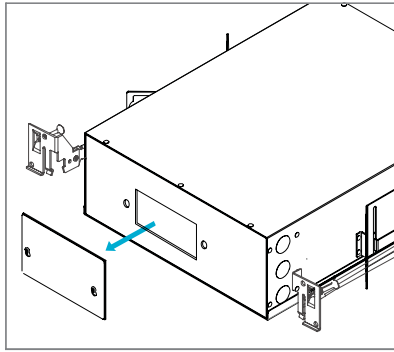
#### STEP 5-A

Use screwdriver to loosen the screws.



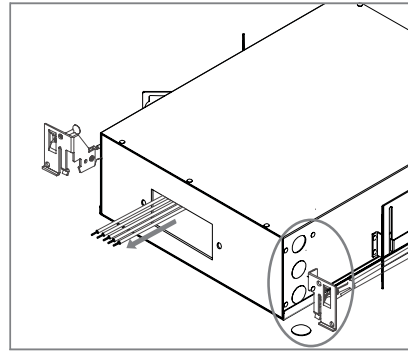
#### STEP 5-B

Remove the wire connection cover plate.



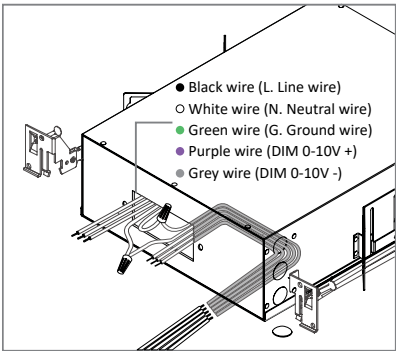
#### STEP 5-C

Use screwdriver to knockout the cover



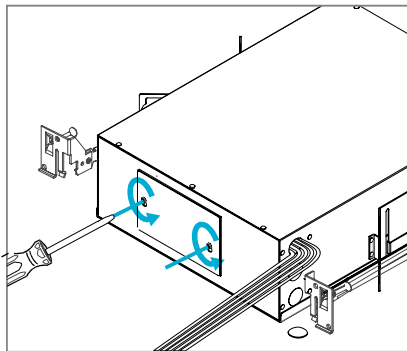
#### STEP 5-D

Connect the wires



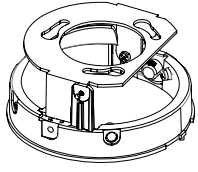
#### STEP 5-E

lock the wire connection cover plate back onto the box; complete the cord connection.

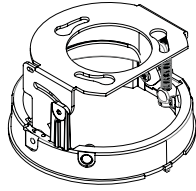


### STEP 6 MODULE ASSEMBLY

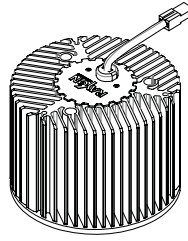
Fixed and Adjustable module holder combination



FIXED MODULE HOLDER



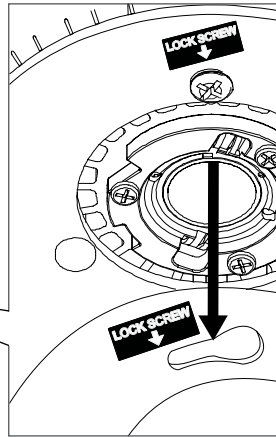
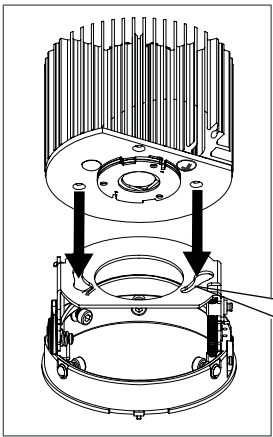
ADJUSTABLE MODULE HOLDER



HEAT SINK

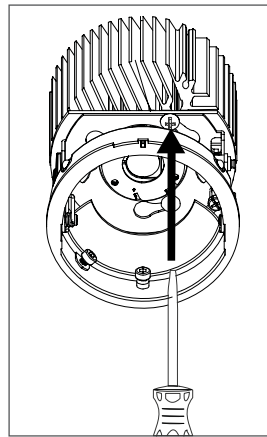
#### STEP 6-A

Align the two screws with the keyholes and lock into place



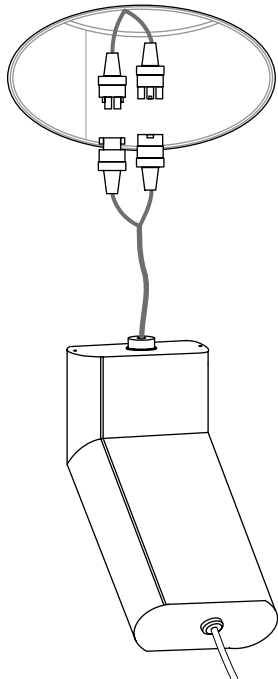
#### STEP 6-B

Use screw driver to tighten the screws to fix the module



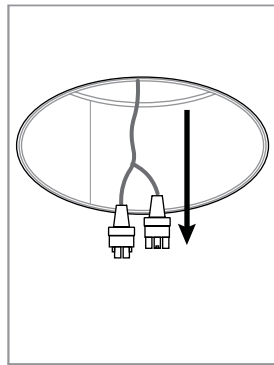
### STEP 7 CONNECT J-BOX TO THE HOUSING

Fixed and Adjustable module holder combination



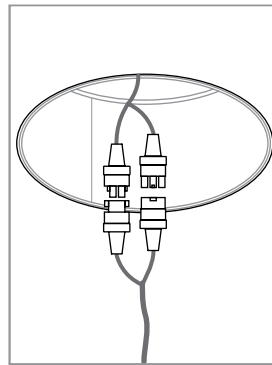
#### STEP 7-A

Pull down the housing connectors



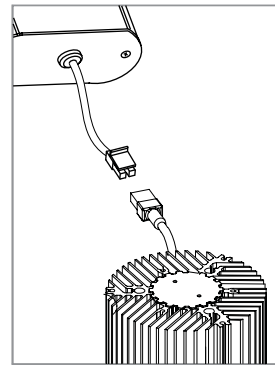
#### STEP 7-B

Connect the wires



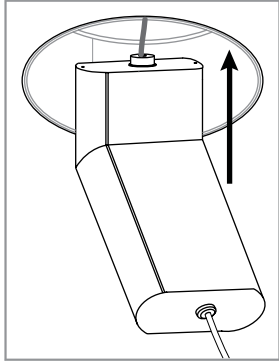
#### STEP 7-C

Connect the module to the driver box

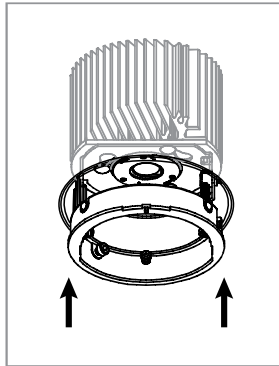


### STEP 8 FIXED AND ADJUSTABLE MODULE INSTALLATION

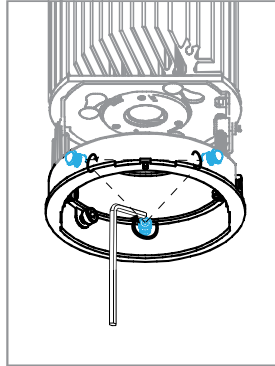
**STEP 8-A**  
Push the driver box through the ceiling hole



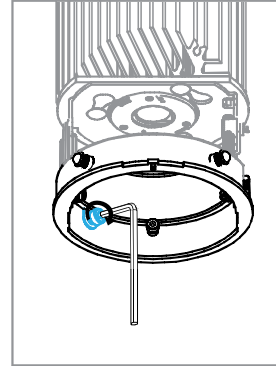
**STEP 8-B**  
Push the LED module into the housing until it clicks in



**STEP 8-C**  
Secure the module with 3 ball bearing screws



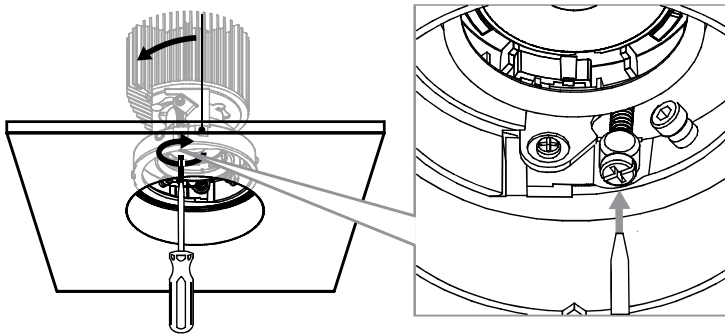
**STEP 8-C**  
Tighten the horizontal rotation lock screw



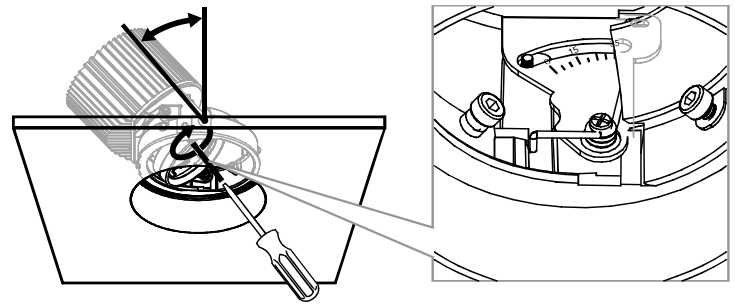
For the **adjustable module**, make all aiming and tilt adjustments (refer to STEP 8-2) before tightening the screws.

### STEP 8-2 ADJUSTABLE MODULE AIMING AND TILT

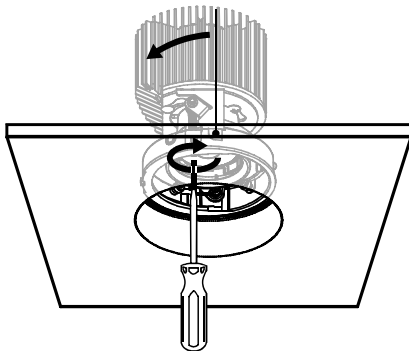
**STEP 8-2-A**  
Use screwdriver and turn in a clockwise direction to adjust the angle



**STEP 8-2-B**  
Tilt up to 40°

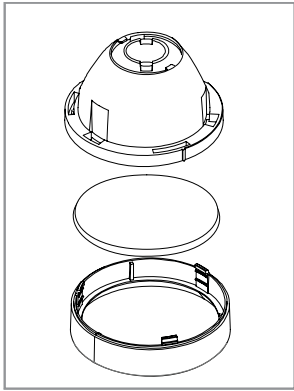


**STEP 8-2-C**  
Rotate horizontally up to 359°

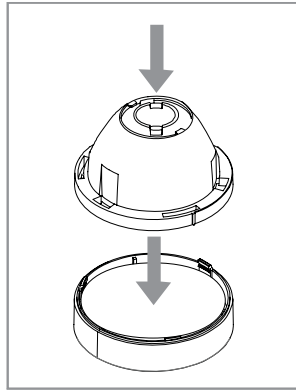


### STEP 9 OPTICAL LENS AND DIFFUSER ASSEMBLY

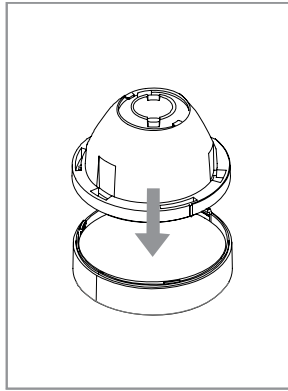
**STEP 5-A**  
Find the matching parts



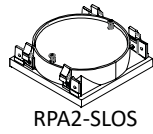
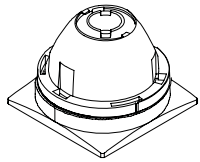
**STEP 5-A**  
Insert the optical lens and diffuser into the cover



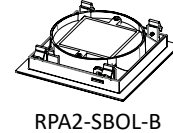
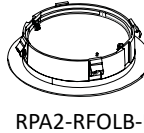
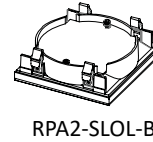
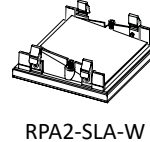
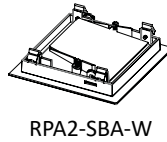
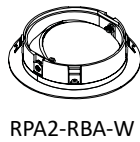
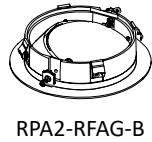
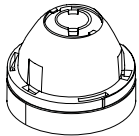
**STEP 5-A**  
Align and insert the lock pins into the lock gaps



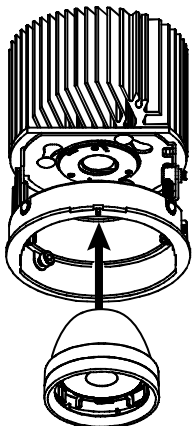
#### SQUARE BASE LENS SUITABLE REFLECTORS ITEMS LIST



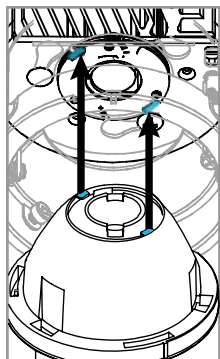
#### ROUND BASE LENS SUITABLE REFLECTORS ITEMS LIST



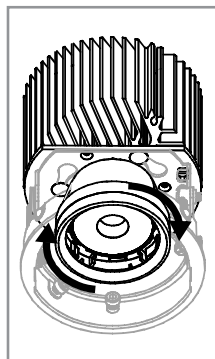
### STEP 10 LENS INSTALLATION



**STEP 10-A**  
Align the heat sink and lens



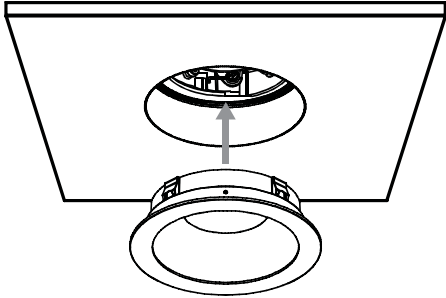
**STEP 10-B**  
Turn in a clockwise direction



### STEP 11 FLANGE TRIM INSTALLATION

#### STEP 11

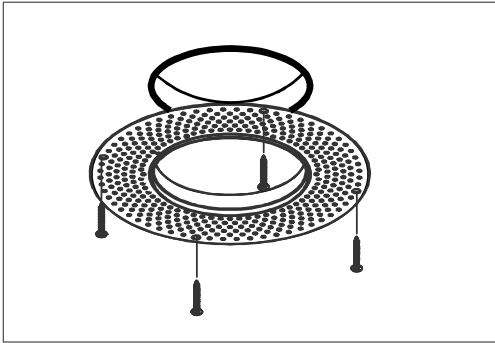
Press the trim until it clicks to connect the trim to the housing



### STEP 11-2 FLANGELESS TRIM WITH PLASTER INSTALLATION

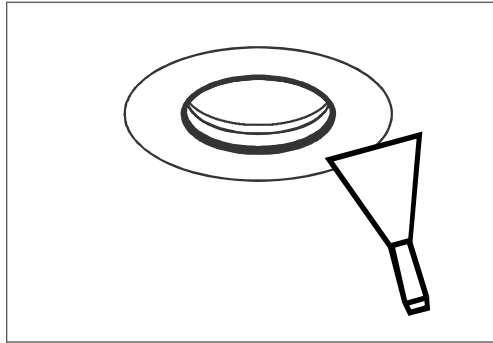
#### STEP 11-2-A

Attach mud ring to ceiling with screws



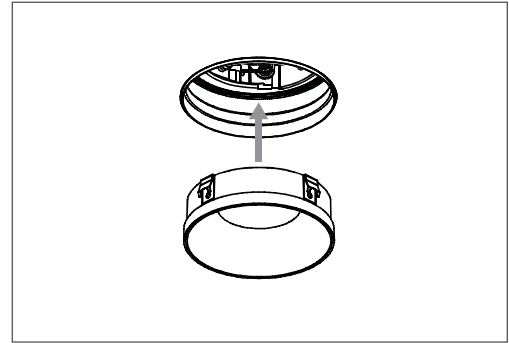
#### STEP 11-2-B

Cover mud ring with a thin layer finish plaster



#### STEP 11-2-C

Press the trim until it clicks



### STEP 11-3 FLANGELESS TRIM WITH DEDICATED COLLAR INSTALLATION

#### STEP 11-3

Press the trim until it clicks to connect the trim to the housing

