



WARM DIM

USE OF PRODUCT

Prodigy is an architectural fixture that is available in fixed, wall wash, or adjustable configurations. Meticulously engineered to offer an assortment of color temperatures, optics, filters, lumen outputs, and dimmable drivers. This series is suitable for residential and commercial applications in flange or flangeless appearance in an assortment of trim selections. May be utilized where fire-rating is required.

LED MODULE

Warm Dim LED range from 3000K to 1800K, in 90+ CRI, with 2-step binning which allows for color consistency between fixtures. This technology is great for setting a more cozy atmosphere and mimics the behavior of a traditional incandescent lighting. The module may be interchangeable from downlight, wall wash or adjustable by utilization of the appropriate holder. Module is accessible from below the ceiling.

ALIGNMENT/ADJUSTABILITY

Collar notch allows for easy alignment between trims.

OPTICS AND FILTERS

Optical lens available in 30°, 35°, 45°, 55°, and 80°. Easily achieve narrow spot to wide flood beam pattern. Optional frosted, honeycomb, or solite filter available upon request. Optics and filters are field-replaceable and are accessible from below the ceiling.

DIMMING

Intelligent Drive (ID) is the standard, all-inclusive driver which is Triac (120V), ELV (120V), and 0–10V (120V–277V). Optional driver selections include eldoLED and Lutron. Drivers are accessible from below the ceiling.

THERMAL MANAGEMENT

Ambient temperature at fixture location should not exceed -20°C to 40°C.

TRIM

Die-cast trims are available in an assortment of finishes in round/square, flange/flangeless. Consult factory for made-to-order finishes. Flanged trim is compatible with all ceiling materials. Flangeless available for plaster ceilings. Frosted acrylic diffuser on trim is standard and allows it to meet wet location applications. Acrylic diffuser may be removed in the field. Wing bracket on trim accommodates for varying ceiling depths.

EMERGENCY BATTERY

Optional emergency battery (EM) available in 4W or 8W versions. Each provides light for a minimum of 90 minutes. EM back box (installed by factory) is required for the 4W version. 4W is accessible from below the ceiling. Ceiling access is required for the 8W version (test switch is remote). EM is UL 924 certified, CEC Title 20 approved, and provides sufficient lumens to comply with NFPA 101 safety code.

MOUNTING

Universal bar hanger (UH) is designed to mount to wood (two positions) and T-bar ceilings. UH may be adjusted vertically to accommodate varying ceiling depths.

NOTE

2-hour fire-rated ceiling assembly can be maintained when installed according to the International Building Code, Section 714. Metallic outlet boxes with metallic or non-metallic cover plates may be used in floor-ceiling and roof-ceiling assemblies with ratings not exceeding 2 hours. These assemblies should have gypsum board membranes. The metallic outlet boxes should be securely fastened to the joists and the opening in the gypsum board facing should be cut so that the clearance between the box and the gypsum board does not exceed 1/8". The surface area of individual boxes should not exceed 16 square inches. The aggregate surface area of the boxes should not exceed 100 square inches per 100 square feet of ceiling surface.

LABELS/COMPLIANCE/WARRANTY

- ETL (Intertek) Listed per UL 1598
- ETL (Intertek) Listed per UL514A (2-hour fire-rated metallic outlet box)
- Wet location rated.
- IC air-tight rated.
- Chicago Plenum rated.
- State of California Title 24 and JA8 compliant.

PATENT PENDING



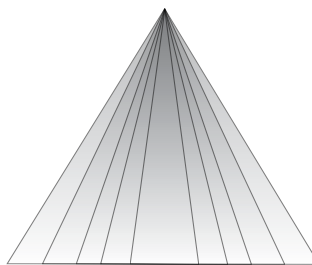
GENERAL PERFORMANCE CHART

*Detailed performance chart may be found on page 2

	6W	9W	12W	15W
Initial Lumens	597	847	1122	1360
Delivered Lumens	485-513	691-731	917-973	1113-1184

* Values are listed at 3000K, 90+ CRI with trim.
Delivered lumens range based on beam spread.
Performance may vary +/- 5%

BEAM SPREAD



Available optics: 30° 35° 45° 55° 80°

- Field replaceable TIR optics
- Easily achieve narrow spot to wide flood beam pattern
- Optional filters available upon request

3" ARCHITECTURAL FIRE-RATED ROUND FLANGE PARABOLIC

ORDERING INFORMATION

Series	Wattage	Dimming	Color Temperature	Optical Lens	Filter	Housing Type
RGY3	6W - 6 Watt 9W - 9 Watt 12W - 12 Watt 15W - 15 Watt	ID¹ - Standard All-Inclusive ELV(120V), Triac(120V), and 0-10V(120-277V) Dimming Driver (Intelligent Drive) EEIS² - eldoLED 1% Dim 0-10V (120-127V), Triac (120V) EDIO³ - eldoLED 0.1% Dim (0-10V) EDID³ - eldoLED 0.1% Dim (DALI) EDD³ - eldoLED 1% Dim (DALI2) PEQO - Lutron Hi-Lume Premier Ecosystem 0.1% with Soft-on, Fade-to-Black Dimming	WD - Warm Dim	30 - 30° 35 - 35° 45 - 45° 55 - 55° 80 - 80°	None - Included F - Frosted Filter H - Honey Comb S - Solite Filter	IC - IC Air-Tight New Construction

Collar	Module Type	Frame Accessories	Options
3CR - 3" Round Collar, 5/8" Height	FMH - Downlight	UH - Universal Adjustable Bar Hanger	ER8W⁴ - Emergency Battery with Remote Switch (8W) CP - Chicago Plenum

TRIM ORDERING INFORMATION

Bevel / Flange Finish

- 3RFBWW - White Bevel / White Flange
- 3RFBBB - Black Bevel / Black Flange
- 3RFBHW - Haze Bevel / White Flange
- 3RFBZBZ - Bronze Bevel / Bronze Flange
- 3RFBMTO - Made To Order

Notes

1. Intelligent Drive is the standard driver.
2. Programmable only in linear mode.
3. Must specify logarithmic or linear eldoLED driver.
4. Ceiling access is required to replace the EM unit.

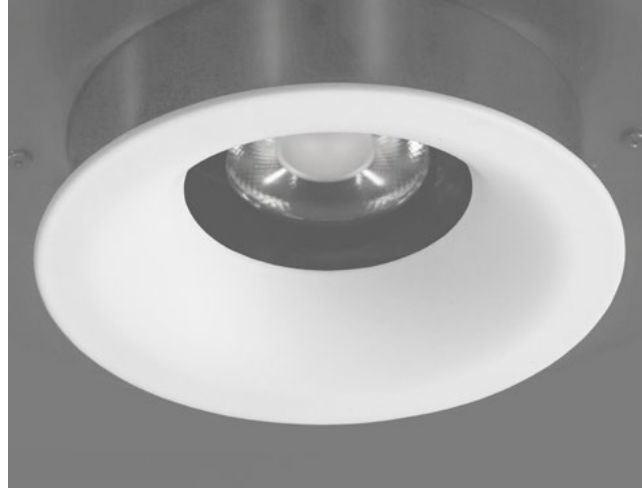
PERFORMANCE CHART

Optics		30°	35°	45°	55°	80°
6W	Initial Lumens	597	597	597	597	597
	Delivered Lumens	488	511	513	494	485
	UGR	14.6	14.7	16.9	19.6	23.2
9W	Initial Lumens	847	847	847	847	847
	Delivered Lumens	695	727	731	702	691
	UGR	15.9	16	18.2	20.8	24.5
12W	Initial Lumens	1122	1122	1122	1122	1122
	Delivered Lumens	921	963	973	928	917
	UGR	17	17	19.2	21.9	25.5
15W	Initial Lumens	1360	1360	1360	1360	1360
	Delivered Lumens	1116	1163	1184	1121	1113
	UGR	17.7	17.7	19.9	22.5	26.1

* Values are listed at 3000K, 90+ CRI with trim.

DIFFUSED LENS

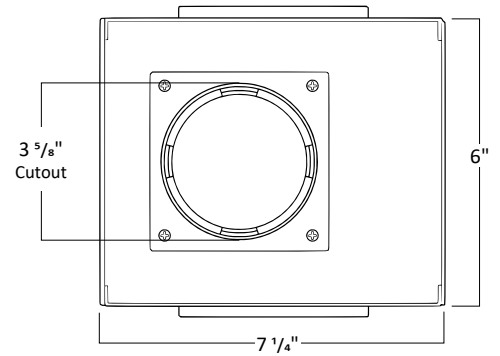
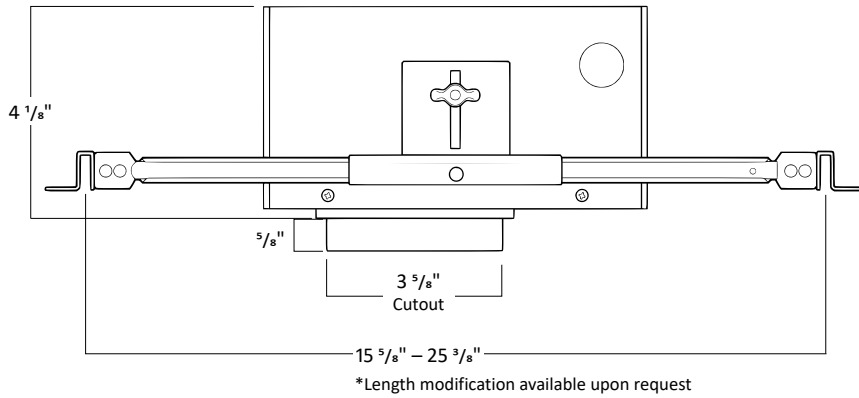
OPTIONAL FIELD REMOVABLE LENS



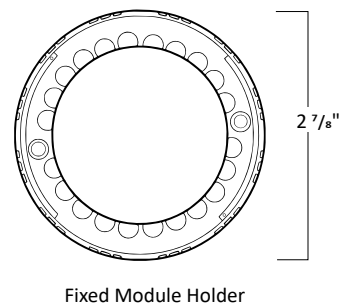
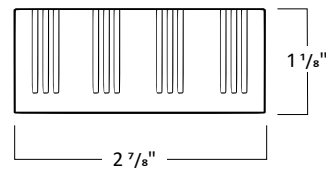
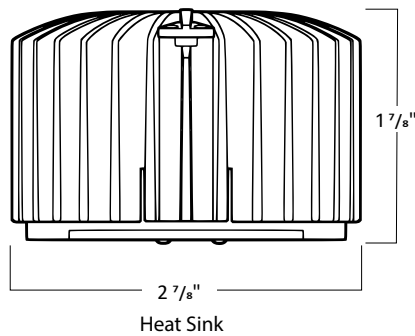
• Listed IES files are with diffused lens

- Not suitable for wet locations
- Increase in lumens by approximately 7%

HOUSING DIMENSIONS

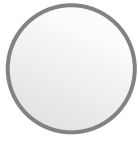


MODULE DIMENSIONS



3" ARCHITECTURAL FIRE-RATED ROUND FLANGE PARABOLIC

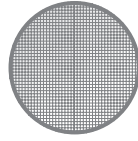
FILTERS



Frosted Filter

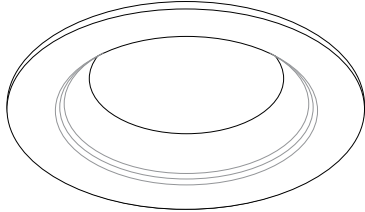


Honey Comb

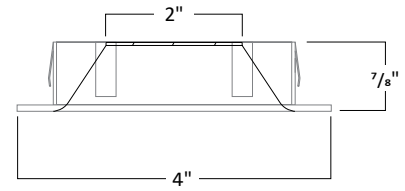
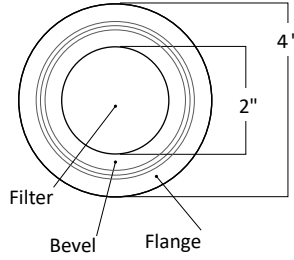


Solite Filter

TRIM DIMENSIONS



3RFB



TRIM FINISH



White



Black



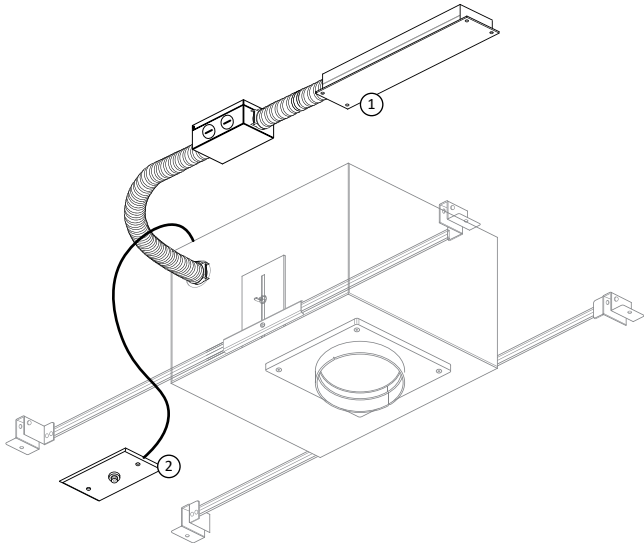
Haze



Bronze

*Consult Factory for Made to Order Finishes

REMOTE 8W EMERGENCY BATTERY



1. Remote Emergency Battery
2. Remote Test Switch

ER8W is an 8W Emergency Battery that is remote to the fixture with a remote test switch. Ceiling access is required to replace the EM unit.

3" ARCHITECTURAL FIRE-RATED ROUND FLANGE PARABOLIC

PHOTOMETRIC DATA

6W - 30°

Throw Distance	Center Beam fc	Beam Width
6 ft	39	3.1 ft
8 ft	22	4.2 ft
10 ft	14	5.2 ft
12 ft	10	6.3 ft
14 ft	7	7.3 ft
16 ft	5	8.4 ft
18 ft	4	9.4 ft
20 ft	4	10.5 ft

Delivered Lumens : 488 lm
Efficiency : 76 lm/W

6W - 35°

Throw Distance	Center Beam fc	Beam Width
6 ft	34	3.5 ft
8 ft	19	4.7 ft
10 ft	12	5.9 ft
12 ft	9	7.1 ft
14 ft	6	8.3 ft
16 ft	5	9.5 ft
18 ft	4	10.7 ft
20 ft	3	11.9 ft

Delivered Lumens : 511 lm
Efficiency : 80 lm/W

6W - 45°

Throw Distance	Center Beam fc	Beam Width
6 ft	24	4.5 ft
8 ft	13	6.1 ft
10 ft	8	7.6 ft
12 ft	6	9.1 ft
14 ft	4	10.6 ft
16 ft	3	12.1 ft
18 ft	3	13.7 ft
20 ft	2	15.2 ft

Delivered Lumens : 513 lm
Efficiency : 80 lm/W

6W - 55°

Throw Distance	Center Beam fc	Beam Width
6 ft	16	5.8 ft
8 ft	9	7.8 ft
10 ft	6	9.8 ft
12 ft	4	11.7 ft
14 ft	3	13.7 ft
16 ft	2	15.7 ft
18 ft	2	17.6 ft
20 ft	1	19.6 ft

Delivered Lumens : 494 lm
Efficiency : 77 lm/W

6W - 80°

Throw Distance	Center Beam fc	Beam Width
6 ft	8	10.0 ft
8 ft	5	13.3 ft
10 ft	3	16.7 ft
12 ft	2	20.0 ft
14 ft	1.5	23.4 ft
16 ft	1.2	26.7 ft
18 ft	0.9	30.1 ft
20 ft	0.7	33.4 ft

Delivered Lumens : 485 lm
Efficiency : 76 lm/W

9W - 30°

Throw Distance	Center Beam fc	Beam Width
6 ft	55	3.1 ft
8 ft	31	4.1 ft
10 ft	20	5.2 ft
12 ft	14	6.2 ft
14 ft	10	7.3 ft
16 ft	8	8.4 ft
18 ft	6	9.4 ft
20 ft	5	10.5 ft

Delivered Lumens : 695 lm
Efficiency : 76 lm/W

9W - 35°

Throw Distance	Center Beam fc	Beam Width
6 ft	49	3.5 ft
8 ft	28	4.7 ft
10 ft	18	5.9 ft
12 ft	12	7.1 ft
14 ft	9	8.3 ft
16 ft	7	9.5 ft
18 ft	5	10.6 ft
20 ft	4	11.8 ft

Delivered Lumens : 727 lm
Efficiency : 79 lm/W

9W - 45°

Throw Distance	Center Beam fc	Beam Width
6 ft	34	4.5 ft
8 ft	19	6.1 ft
10 ft	12	7.6 ft
12 ft	8	9.1 ft
14 ft	6	10.6 ft
16 ft	5	12.1 ft
18 ft	4	13.7 ft
20 ft	3	15.2 ft

Delivered Lumens : 731 lm
Efficiency : 79 lm/W

9W - 55°

Throw Distance	Center Beam fc	Beam Width
6 ft	22	5.8 ft
8 ft	12	7.8 ft
10 ft	8	9.8 ft
12 ft	6	11.7 ft
14 ft	4	13.7 ft
16 ft	3	15.7 ft
18 ft	2	17.6 ft
20 ft	2	19.6 ft

Delivered Lumens : 702 lm
Efficiency : 76 lm/W

9W - 80°

Throw Distance	Center Beam fc	Beam Width
6 ft	12	10.0 ft
8 ft	7	13.3 ft
10 ft	4	16.7 ft
12 ft	3	20.0 ft
14 ft	2	23.4 ft
16 ft	2	26.7 ft
18 ft	1	30.1 ft
20 ft	1	33.4 ft

Delivered Lumens : 691 lm
Efficiency : 75 lm/W

12W - 30°

Throw Distance	Center Beam fc	Beam Width
6 ft	73	3.1 ft
8 ft	41	4.1 ft
10 ft	26	5.2 ft
12 ft	18	6.2 ft
14 ft	13	7.3 ft
16 ft	10	8.4 ft
18 ft	8	9.4 ft
20 ft	7	10.5 ft

Delivered Lumens : 921 lm
Efficiency : 75 lm/W

12W - 35°

Throw Distance	Center Beam fc	Beam Width
6 ft	65	3.5 ft
8 ft	36	4.7 ft
10 ft	23	5.9 ft
12 ft	16	7.1 ft
14 ft	12	8.3 ft
16 ft	9	9.5 ft
18 ft	7	10.6 ft
20 ft	6	11.8 ft

Delivered Lumens : 963 lm
Efficiency : 78 lm/W

12W - 45°

Throw Distance	Center Beam fc	Beam Width
6 ft	45	4.5 ft
8 ft	25	6.1 ft
10 ft	16	7.6 ft
12 ft	11	9.1 ft
14 ft	8	10.6 ft
16 ft	6	12.1 ft
18 ft	5	13.7 ft
20 ft	4	15.2 ft

Delivered Lumens : 973 lm
Efficiency : 79 lm/W

12W - 55°

Throw Distance	Center Beam fc	Beam Width
6 ft	29	5.8 ft
8 ft	16	7.8 ft
10 ft	10	9.8 ft
12 ft	7	11.7 ft
14 ft	5	13.7 ft
16 ft	4	15.7 ft
18 ft	3	17.6 ft
20 ft	3	19.6 ft

Delivered Lumens : 928 lm
Efficiency : 75 lm/W

12W - 80°

Throw Distance	Center Beam fc	Beam Width
6 ft	16	10.0 ft
8 ft	9	13.3 ft
10 ft	6	16.7 ft
12 ft	4	20.0 ft
14 ft	3	23.4 ft
16 ft	2	26.7 ft
18 ft	2	30.1 ft
20 ft	1	33.4 ft

Delivered Lumens : 917 lm
Efficiency : 75 lm/W

15W - 30°

Throw Distance	Center Beam fc	Beam Width
6 ft	88	3.1 ft
8 ft	50	4.2 ft
10 ft	32	5.2 ft
12 ft	22	6.3 ft
14 ft	16	7.3 ft
16 ft	12	8.4 ft
18 ft	10	9.4 ft
20 ft	8	10.5 ft

Delivered Lumens : 1116 lm
Efficiency : 73 lm/W

15W - 35°

Throw Distance	Center Beam fc	Beam Width
6 ft	78	3.5 ft
8 ft	44	4.7 ft
10 ft	28	5.9 ft
12 ft	20	7.1 ft
14 ft	14	8.3 ft
16 ft	11	9.5 ft
18 ft	9	10.6 ft
20 ft	7	11.8 ft

Delivered Lumens : 1163 lm
Efficiency : 76 lm/W

15W - 45°

Throw Distance	Center Beam fc	Beam Width
6 ft	54	4.5 ft
8 ft	31	6.1 ft
10 ft	20	7.6 ft
12 ft	14	9.1 ft
14 ft	10	10.6 ft
16 ft	8	12.1 ft
18 ft	6	13.7 ft
20 ft	5	15.2 ft

Delivered Lumens : 1184 lm
Efficiency : 77 lm/W

15W - 55°

Throw Distance	Center Beam fc	Beam Width
6 ft	35	5.8 ft
8 ft	20	7.8 ft
10 ft	13	9.8 ft
12 ft	9	11.7 ft
14 ft	6	13.7 ft
16 ft	5	15.7 ft
18 ft	4	17.6 ft
20 ft	3	19.6 ft

Delivered Lumens : 1121 lm
Efficiency : 73 lm/W

15W - 80°

Throw Distance	Center Beam fc	Beam Width
6 ft	19	9.9 ft
8 ft	11	13.3 ft
10 ft	7	16.7 ft
12 ft	5	20.0 ft
14 ft	3	23.3 ft
16 ft	3	26.7 ft
18 ft	2	29.9 ft
20 ft	2	33.3 ft

Delivered Lumens : 1113 lm
Efficiency : 73 lm/W