

GENERAL INFORMATION

USE OF PRODUCT

Prodigy pinhole is an architectural fixture meticulously engineered to offer an assortment of color temperatures, optics, filters, lumen outputs, and dimmable drivers. This series is suitable for residential and commercial applications in flange or flangeless appearance in an assortment of trim selections. May be utilized where fire-rating is required.

LED MODULE

Cree LEDs in static white or warm dim, in 90+ CRI, with 2-step binning which allows for color consistency between fixtures. Module may be interchangeable from downlight, wall wash, or adjustable by utilization of appropriate module holder. Module is accessible from below the ceiling.

ALIGNMENT/ADJUSTABILITY

Collar notch allows for easy alignment between trims.

OPTICS AND FILTERS

Optical lens available in 20°, 25°, 40° and 50°. Easily achieve narrow spot to wide flood beam pattern. Optional frosted, honeycomb, or solite filter available upon request. Optics and filters are field-replaceable and are accessible from below the ceiling.

DIMMING

Intelligent Drive (ID) is the standard, all-inclusive driver which is Triac (120V), ELV (120V), and 0–10V (120V–277V). Optional driver selections include eldoLED. All drivers are accessible from below the ceiling.

THERMAL MANAGEMENT

Ambient temperature at fixture location should not exceed -20°C to 40°C.

TRIM

Die-cast trims are available in an assortment of finishes in round/square, flange/flangeless. Consult factory for made-to-order finishes. Flanged trim is compatible with all ceiling materials. Flangeless available for plaster ceilings.

EMERGENCY BATTERY

Optional emergency battery (EM) available in 8W with remote test switch and provides light for a minimum of 90 minutes. Ceiling access is required to replace the EM unit. EM is UL 924 certified, CEC Title 20 approved, and provides sufficient lumens to comply with NFPA 101 safety code.

MOUNTING

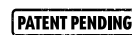
Universal bar hanger (UH) is designed to mount to wood (two positions) and T-bar ceilings. UH may be adjusted vertically to accommodate varying ceiling depths.

NOTE

2-hour fire-rated ceiling assembly can be maintained when installed according to the International Building Code, Section 714. Metallic outlet boxes with metallic or non-metallic cover plates may be used in floor-ceiling and roof-ceiling assemblies with ratings not exceeding 2 hours. These assemblies should have gypsum board membranes. The metallic outlet boxes should be securely fastened to the joists and the opening in the gypsum board facing should be cut so that the clearance between the box and the gypsum board does not exceed 1/8". The surface area of individual boxes should not exceed 16 square inches. The aggregate surface area of the boxes should not exceed 100 square inches per 100 square feet of ceiling surface.

LABELS/COMPLIANCE/WARRANTY

- ETL (Intertek) Listed per UL 1598
- ETL (Intertek) Listed per UL514A (2-hour fire-rated metallic outlet box)
- Wet location rated.
- IC air-tight rated.
- Chicago Plenum rated.
- State of California Title 24 and JA8 compliant.



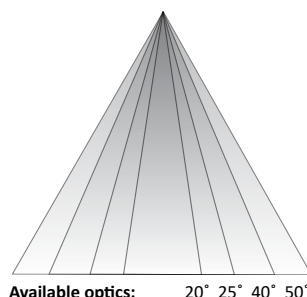
GENERAL PERFORMANCE CHART

*Detailed performance chart may be found on page 2

	6W	9W	12W	15W
Initial Lumens	955	1296	1618	2015
Delivered Lumens	616-793	838-1080	1059-1361	1267-1644

* Values are listed at 3000K, 90+ CRI with trim.
Delivered lumens range based on beam spread.
Performance may vary +/- 5%

BEAM SPREAD



Available optics: 20° 25° 40° 50°

- Field replaceable TIR optics
- Easily achieve narrow spot to wide flood beam pattern
- Optional filters available upon request

ORDERING INFORMATION

Series	Wattage	Dimming	Color Temperature	Optical Lens	Filter	Housing Type
RGY3	6W - 6 Watt 9W - 9 Watt 12W - 12 Watt 15W - 15 Watt	ID ¹ - Standard All-Inclusive ELV(120V), Triac(120V), and 0-10V(120-277V) Dimming Driver (Intelligent Drive) EEIS ² - eldoLED 1% Dim 0-10V (120-127V), Triac (120V) EDIO ³ - eldoLED 0.1% Dim (0-10V) EDID ³ - eldoLED 0.1% Dim (DALI) EDD ³ - eldoLED 1% Dim (DALI2) PEQO - Lutron Hi-Lume Premier Ecosystem 0.1% with Soft-on, Fade-to-Black Dimming	27K - 2700K 30K - 3000K 35K - 3500K 40K - 4000K	20 - 20° 25 - 25° 40 - 40° 50 - 50°	None - Included F - Frosted Filter H - Honey Comb S - Solite Filter	IC - IC Air-Tight New Construction
Collar	Module Type	Frame Accessories	Options			
3CR - 3" Round Collar, 5/8" Height	FMH - Downlight	UH - Universal Bar Hanger	ER8W ⁴ - Emergency Battery with Remote Switch (8W) CP - Chicago Plenum			

TRIM ORDERING INFORMATION

Flange Finish
 3RFPW - 3" Round Flange Pinhole White
 3RFPB - 3" Round Flange Pinhole Black
 3RFPBZ - 3" Round Flange Pinhole Bronze

- Notes**
- Intelligent Drive is the standard driver.
 - Programmable only in linear mode.
 - Must specify logarithmic or linear eldoLED driver.
 - Ceiling access is required to replace the EM unit.

PERFORMANCE CHART

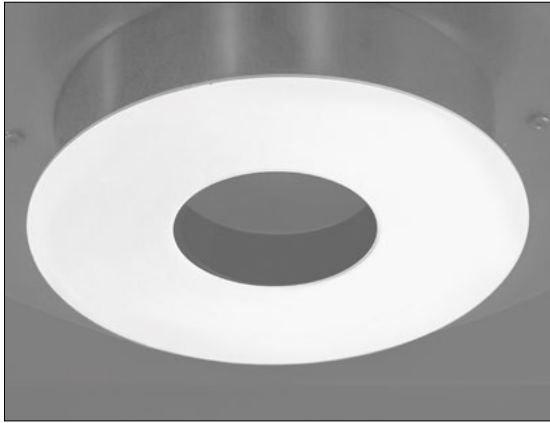
Optics		20°	25°	40°	50°
6W	Initial Lumens	955	955	955	955
	Delivered Lumens	616	765	793	740
	UGR	9.5	6	11.2	18.4
9W	Initial Lumens	1296	1296	1296	1296
	Delivered Lumens	838	1041	1080	1015
	UGR	10.8	7.3	12.1	19.5
12W	Initial Lumens	1618	1618	1618	1618
	Delivered Lumens	1059	1304	1361	1290
	UGR	11.6	8.1	12.9	20.6
15W	Initial Lumens	2015	2015	2015	2015
	Delivered Lumens	1267	1565	1644	1596
	UGR	14	10.8	13.9	21.9

* Values are listed at 3000K, 90+ CRI with trim.

COLOR TEMPERATURE MULTIPLIER FOR DELIVERED LUMENS

2700K	3000K	3500K	4000K
0.95	1.00	1.04	1.07

DIFFUSED LENS



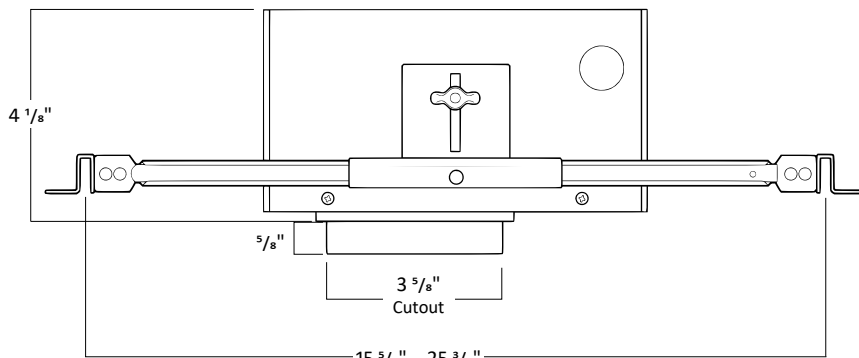
- Reduction in lumens by approximately 7%

OPTIONAL FIELD REMOVABLE LENS

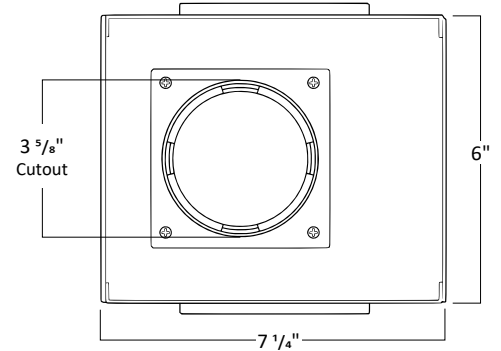


- Not suitable for wet locations
- Listed IES files are with no diffused lens

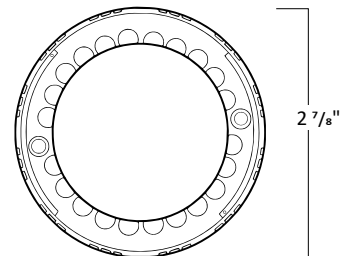
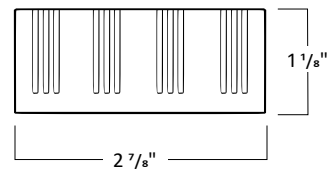
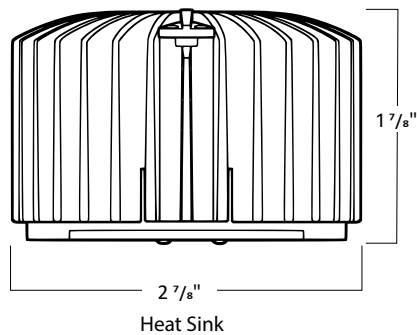
HOUSING DIMENSIONS



*Length modification available upon request

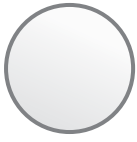


MODULE DIMENSIONS



Fixed Module Holder

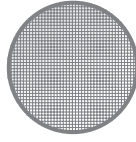
FILTERS



Frosted Filter

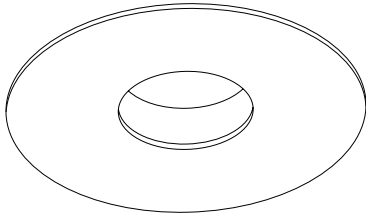


Honey Comb

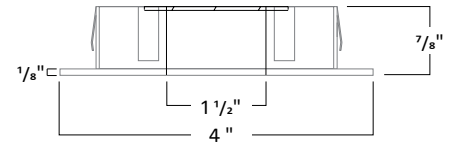
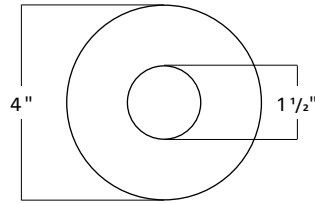


Solite Filter

TRIM DIMENSIONS



3RFP



TRIM FINISH



White

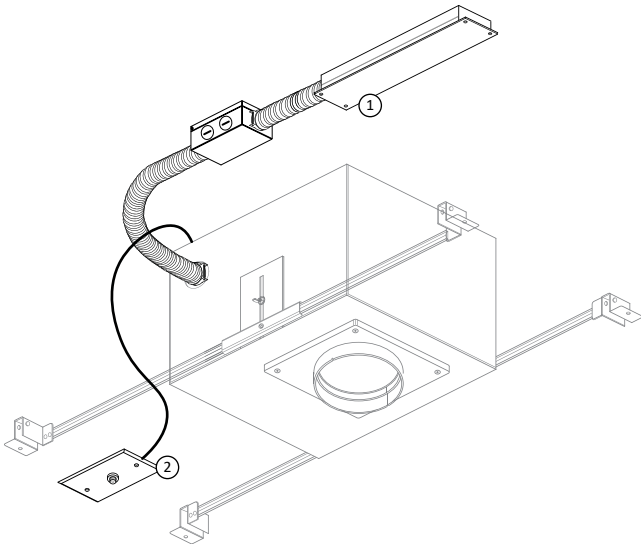


Black



Bronze

REMOTE 8W EMERGENCY BATTERY



1. Remote Emergency Battery
2. Remote Test Switch

ER8W is an 8W Emergency Battery that is remote to the fixture with an remote test switch. Ceiling access is required to replace the EM unit.

PHOTOMETRIC DATA

