



### USE OF PRODUCT

Prodigy is an architectural fixture that is available in fixed, wall wash, or adjustable configurations. Meticulously engineered to offer an assortment of color temperatures, optics, filters, lumen outputs, and dimmable drivers. This series is suitable for residential and commercial applications in flange or flangeless appearance in an assortment of trim selections. May be utilized where fire-rating is required.

### LED MODULE

Cree LEDs in static white or warm dim, in 90+ CRI, with 2-step binning which allows for color consistency between fixtures. Module may be interchangeable from downlight, wall wash, or adjustable by utilization of appropriate module holder. Module is accessible from below the ceiling.

### ALIGNMENT/ADJUSTABILITY

Collar notch allows for easy alignment between trims.

### OPTICS AND FILTERS

Optical lens available in 15°, 24°, 36°, 50° and 80°. Easily achieve narrow spot to wide flood beam pattern. Optics and filters are field-replaceable and are accessible from below the ceiling.

### DIMMING

Intelligent Drive (ID) is the standard, all-inclusive driver which is Triac (120V), ELV (120V), and 0-10V (120V-277V). Optional driver selections include eldoLED. All drivers are accessible from below the ceiling.

### THERMAL MANAGEMENT

Ambient temperature at fixture location should not exceed -20°C to 40°C.

### TRIM

Die-cast trims are available in an assortment of finishes in round/square, flange/flangeless. Consult factory for made-to-order finishes. Flanged trim is compatible with all ceiling materials. Flangeless available for plaster ceilings. Frosted acrylic diffuser on trim is standard and allows it to meet wet location applications. Acrylic diffuser may be removed in the field. Wing bracket on trim accommodates for varying ceiling depths.

### EMERGENCY BATTERY

Optional emergency battery (EM) available in 8W with remote test switch and provides light for a minimum of 90 minutes. Ceiling access is required to replace the EM unit. EM is UL 924 certified, CEC Title 20 approved, and provides sufficient lumens to comply with NFPA 101 safety code.

### MOUNTING

Universal bar hanger (UH) is designed to mount to wood (two positions) and T-bar ceilings. UH may be adjusted vertically to accommodate varying ceiling depths.

### NOTE

2-hour fire-rated ceiling assembly can be maintained when installed according to the International Building Code, Section 714. Metallic outlet boxes with metallic or non-metallic cover plates may be used in floor-ceiling and roof-ceiling assemblies with ratings not exceeding 2 hours. These assemblies should have gypsum board membranes. The metallic outlet boxes should be securely fastened to the joists and the opening in the gypsum board facing should be cut so that the clearance between the box and the gypsum board does not exceed 1/8". The surface area of individual boxes should not exceed 16 square inches. The aggregate surface area of the boxes should not exceed 100 square inches per 100 square feet of ceiling surface.

### LABELS/COMPLIANCE/WARRANTY

- ETL (Intertek) Listed per UL 1598
- ETL (Intertek) Listed per UL514A (2-hour fire-rated metallic outlet box)
- Wet location rated.
- IC air-tight rated.
- Chicago Plenum rated.
- State of California Title 24 and JA8 compliant.

**PATENT PENDING**



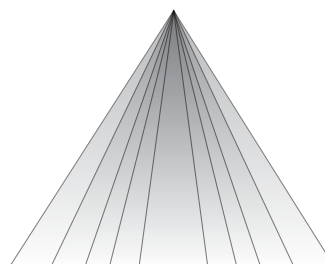
### GENERAL PERFORMANCE CHART

\*Detailed performance chart may be found on page 2

	6W	9W	12W	15W
<b>Initial Lumens</b>	955	1296	1618	2015
<b>Delivered Lumens</b>	265-447	361-612	455-784	545-971

\* Values are listed at 3000K, 90+ CRI with trim.  
Delivered lumens range based on beam spread.  
Performance may vary +/- 5%

### BEAM SPREAD



Available optics: 15° 24° 36° 50° 80°

- Field replaceable TIR optics
- Easily achieve narrow spot to wide flood beam pattern
- Optional filters available upon request

## 3" ARCHITECTURAL FIRE-RATED ROUND FLANGE WALL WASH

### ORDERING INFORMATION

Series	Wattage	Dimming	Color Temperature	Optical Lens	Housing Type
RGY3	6W - 6 Watt 9W - 9 Watt 12W - 12 Watt 15W - 15 Watt	ID <sup>1</sup> - Standard All-Inclusive ELV(120V), Triac(120V), and 0-10V(120-277V) Dimming Driver (Intelligent Drive) EES <sup>2</sup> - eldoLED 1% Dim 0-10V (120-127V), Triac (120V) EDIO <sup>3</sup> - eldoLED 0.1% Dim (0-10V) EDID <sup>3</sup> - eldoLED 0.1% Dim (DALI) EDD <sup>3</sup> - eldoLED 1% Dim (DALI2) PEQO - Lutron Hi-Lume Premier Ecosystem 0.1% with Soft-on, Fade-to-Black Dimming	27K - 2700K 30K - 3000K 35K - 3500K 40K - 4000K	15 - 15° 24 - 24° 36 - 36° 50 - 50° 80 - 80°	IC - IC Air-Tight New Construction
Collar	Module Type	Frame Accessories	Options		
3CR - 3" Round Collar, 5/8" Height	AMHW - Wall Wash	UH - Universal Adjustable Bar Hanger	ER8W <sup>4</sup> - Emergency Battery with Remote Switch (8W) CP - Chicago Plenum		

### TRIM ORDERING INFORMATION

#### Bevel / Flange Finish

- 3RFWCWW - White Bevel / White Flange
- 3RFWCBB - Black Bevel / Black Flange
- 3RFWCHW - Haze Bevel / White Flange
- 3RFWCBBZ - Bronze Bevel / Bronze Flange
- 3RFWCMT0 - Made To Order

#### Notes

1. Intelligent Drive is the standard driver.
2. Programmable only in linear mode
3. Must specify logarithmic or linear eldoLED driver.
4. Ceiling access is required to replace the EM unit.

### PERFORMANCE CHART

Optics		15°	24°	36°	50°	80°
6W	Initial Lumens	955	955	955	955	955
	Delivered Lumens	355	447	440	436	265
9W	Initial Lumens	1296	1296	1296	1296	1296
	Delivered Lumens	485	612	599	596	361
12W	Initial Lumens	1618	1618	1618	1618	1618
	Delivered Lumens	613	784	756	756	455
15W	Initial Lumens	2015	2015	2015	2015	2015
	Delivered Lumens	796	971	944	906	545

\* Values are listed at 3000K, 90+ CRI with a white bevel & trim.

### COLOR TEMPERATURE MULTIPLIER FOR DELIVERED LUMENS

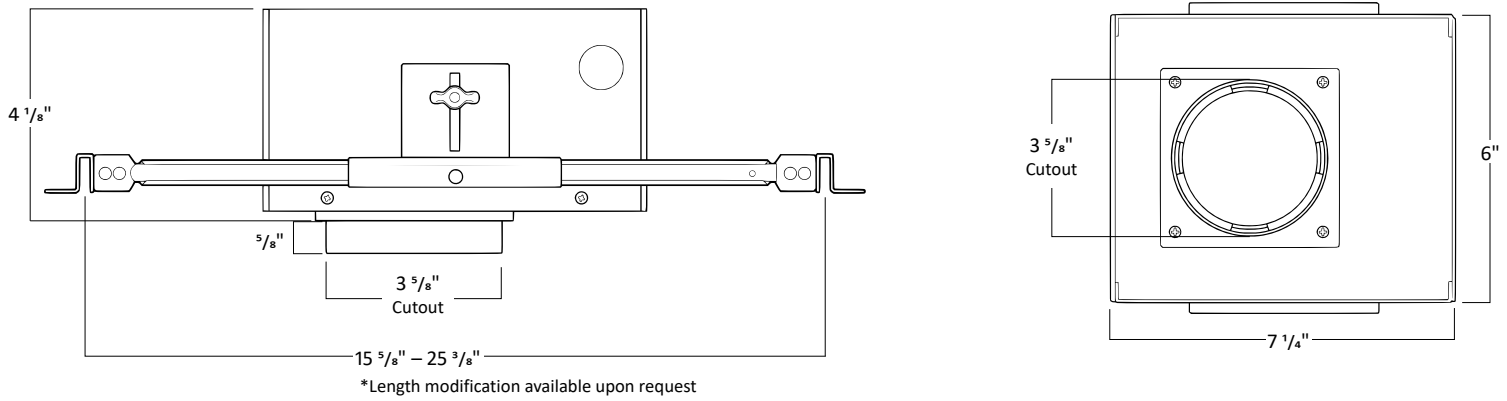
2700K	3000K	3500K	4000K
0.95	1.00	1.04	1.07

### DIFFUSED LENS

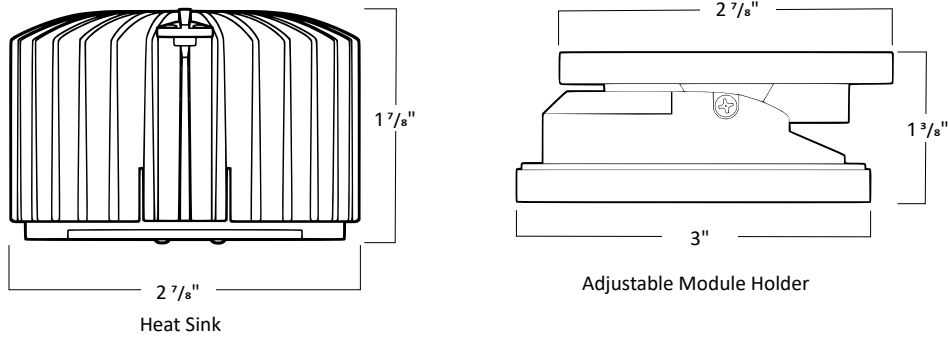


- Listed IES files are with diffused lens

### HOUSING DIMENSIONS

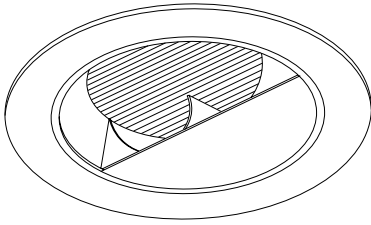


### ADJUSTABLE MODULE DIMENSIONS

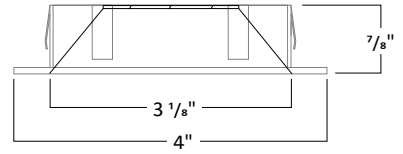
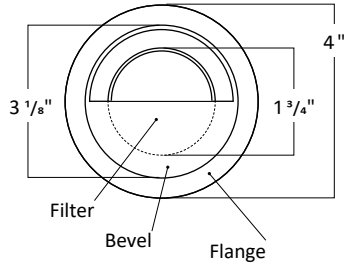


## 3" ARCHITECTURAL FIRE-RATED ROUND FLANGE WALL WASH

### TRIM DIMENSIONS



3RFWC



### TRIM FINISH



White



Black



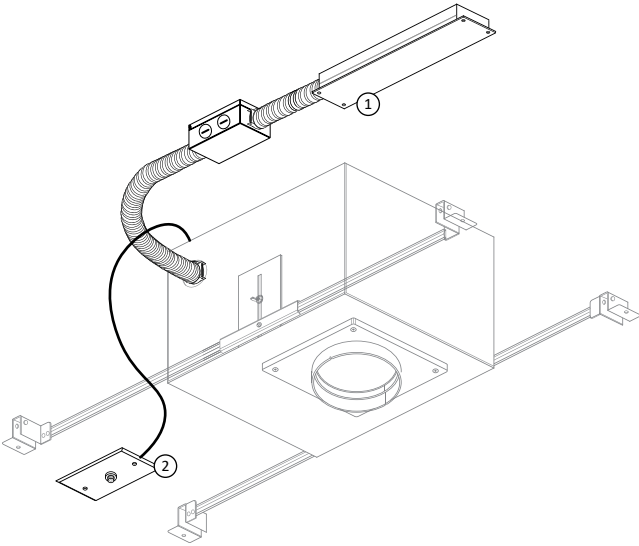
Haze



Bronze

\*Consult Factory for Made to Order Finishes

### REMOTE 8W EMERGENCY BATTERY



1. Remote Emergency Battery
2. Remote Test Switch

**ER8W** is an 8W Emergency Battery that is remote to the fixture with an remote test switch. Ceiling access is required to replace the EM unit.

## 3" ARCHITECTURAL FIRE-RATED ROUND FLANGE WALL WASH

### PHOTOMETRIC DATA

