



WARM DIM

USE OF PRODUCT

Prodigy is an architectural fixture that is available in fixed, wall wash, or adjustable configurations. Meticulously engineered to offer an assortment of color temperatures, optics, filters, lumen outputs, and dimmable drivers. This series is suitable for residential and commercial applications in flange or flangeless appearance in an assortment of trim selections. May be utilized where fire-rating is required.

LED MODULE

Warm Dim LED range from 3000K to 1800K, in 90+ CRI, with 2-step binning which allows for color consistency between fixtures. This technology is great for setting a more cozy atmosphere and mimics the behavior of a traditional incandescent lighting. The module may be interchangeable from downlight, wall wash or adjustable by utilization of the appropriate holder. Module is accessible from below the ceiling.

ALIGNMENT/ADJUSTABILITY

Collar notch allows for easy alignment between trims.

OPTICS AND FILTERS

Optical lens available in 30°, 35°, 40°, 45° and 50°. Easily achieve narrow spot to wide flood beam pattern. Optional frosted, honeycomb, or solite filter available upon request. Optics and filters are field-replaceable and are accessible from below the ceiling.

DIMMING

Intelligent Drive (ID) is the standard, all-inclusive driver which is Triac (120V), ELV (120V), and 0-10V (120V-277V). Optional driver selections include eldoLED and Lutron. Drivers are accessible from below the ceiling.

THERMAL MANAGEMENT

Ambient temperature at fixture location should not exceed -20°C to 40°C.

TRIM

Die-cast trims are available in an assortment of finishes in round/square, flange/flangeless. Consult factory for made-to-order finishes. Flanged trim is compatible with all ceiling materials. Flangeless available for plaster ceilings. Frosted acrylic diffuser on trim is standard and allows it to meet wet location applications. Acrylic diffuser may be removed in the field. Wing bracket on trim accommodates for varying ceiling depths.

EMERGENCY BATTERY

Optional emergency battery (EM) available in 8W with remote test switch and provides light for a minimum of 90 minutes. Ceiling access is required to replace the EM unit. EM is UL 924 certified, CEC Title 20 approved, and provides sufficient lumens to comply with NFPA 101 safety code.

MOUNTING

Universal bar hanger (UH) is designed to mount to wood (two positions) and T-bar ceilings. UH may be adjusted vertically to accommodate varying ceiling depths.

NOTE

2-hour fire-rated ceiling assembly can be maintained when installed according to the International Building Code, Section 714. Metallic outlet boxes with metallic or non-metallic cover plates may be used in floor-ceiling and roof-ceiling assemblies with ratings not exceeding 2 hours. These assemblies should have gypsum board membranes. The metallic outlet boxes should be securely fastened to the joists and the opening in the gypsum board facing should be cut so that the clearance between the box and the gypsum board does not exceed 1/8". The surface area of individual boxes should not exceed 16 square inches. The aggregate surface area of the boxes should not exceed 100 square inches per 100 square feet of ceiling surface.

LABELS/COMPLIANCE/WARRANTY

- ETL (Intertek) Listed per UL 1598
- ETL (Intertek) Listed per UL514A (2-hour fire-rated metallic outlet box)
- Wet location rated.
- IC air-tight rated.
- Chicago Plenum rated.
- State of California Title 24 and JA8 compliant.

PATENT PENDING



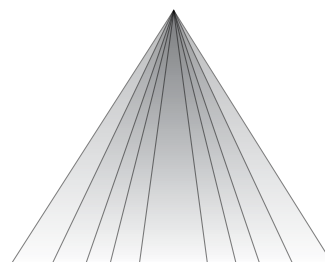
GENERAL PERFORMANCE CHART

*Detailed performance chart may be found on page 2

	6W	9W	12W	15W
Initial Lumens	597	847	1122	1360
Delivered Lumens	139-245	197-346	259-454	308-541

* Values are listed at 3000K, 90+ CRI with trim. Delivered lumens range based on beam spread. Performance may vary +/- 5%

BEAM SPREAD



Available optics: 30° 35° 40° 45° 50°

- Field replaceable TIR optics
- Easily achieve narrow spot to wide flood beam pattern
- Optional filters available upon request

3" ARCHITECTURAL FIRE-RATED ROUND FLANGELESS WALL WASH

ORDERING INFORMATION

Series	Wattage	Dimming	Color Temperature	Optical Lens	Housing Type
RGY3	6W - 6 Watt 9W - 9 Watt 12W - 12 Watt 15W - 15 Watt	ID¹ - Standard All-Inclusive ELV(120V), Triac(120V), and 0-10V(120-277V) Dimming Driver (Intelligent Drive) EEIS² - eldoLED 1% Dim 0-10V (120-127V), Triac (120V) EDIO³ - eldoLED 0.1% Dim (0-10V) EDID³ - eldoLED 0.1% Dim (DALI) EDD³ - eldoLED 1% Dim (DALI2) PEQ0 - Lutron Hi-Lume Premier Ecosystem 0.1% with Soft-on, Fade-to-Black Dimming	WD - Warm Dim	30 - 30° 35 - 35° 40 - 40° 45 - 45° 50 - 50°	IC - IC Air-Tight New Construction
Collar	Module Type	Plaster Ring	Frame Accessories	Options	
3CR - 3" Round Collar 5/8" Height	AMHW - Wall Wash	LPR - Round Flangeless Plaster	UH - Universal Adjustable Bar Hanger	ER8W⁴ - Emergency Battery with Remote Switch (8W) CP - Chicago Plenum	

TRIM ORDERING INFORMATION

- Bevel Finish**
- 3RLWCW - White Bevel
 - 3RLWCB - Black Bevel
 - 3RLWCH - Haze Bevel
 - 3RLWCBZ - Bronze Bevel
 - 3RLWCMTO - Made To Order

- Notes**
- Intelligent Drive is the standard driver.
 - Programmable only in linear mode.
 - Must specify logarithmic or linear eldoLED driver.
 - Ceiling access is required to replace the EM unit.

PERFORMANCE CHART

Optics		30°	35°	40°	45°	50°
6W	Initial Lumens	597	597	597	597	597
	Delivered Lumens	202	243	245	233	139
9W	Initial Lumens	847	847	847	847	847
	Delivered Lumens	286	343	346	329	197
12W	Initial Lumens	1122	1122	1122	1122	1122
	Delivered Lumens	375	451	454	432	259
15W	Initial Lumens	1360	1360	1360	1360	1360
	Delivered Lumens	445	541	539	518	308

* Values are listed at 3000K, 90+ CRI with trim.

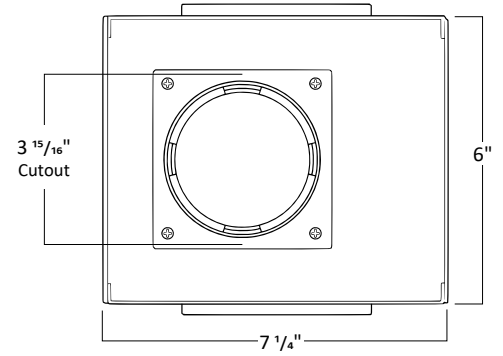
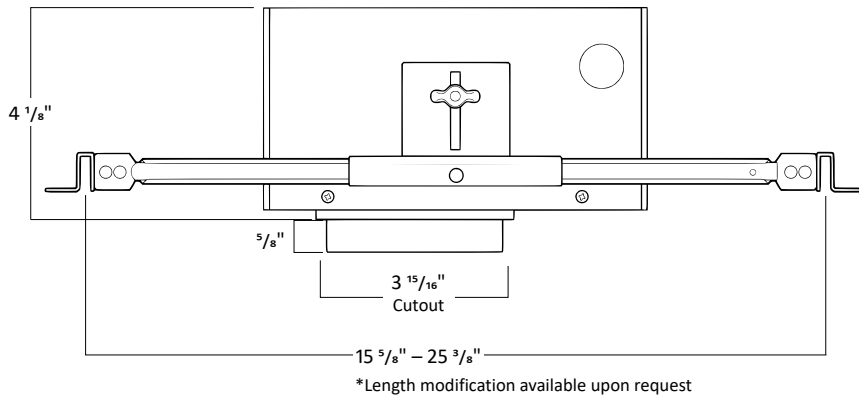
3" ARCHITECTURAL FIRE-RATED ROUND FLANGELESS WALL WASH

DIFFUSED LENS

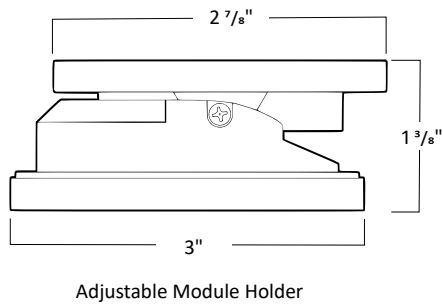
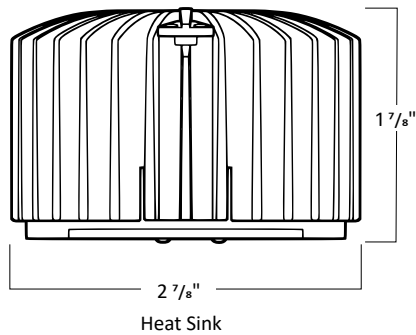


- Listed IES files are with diffused lens

HOUSING DIMENSIONS

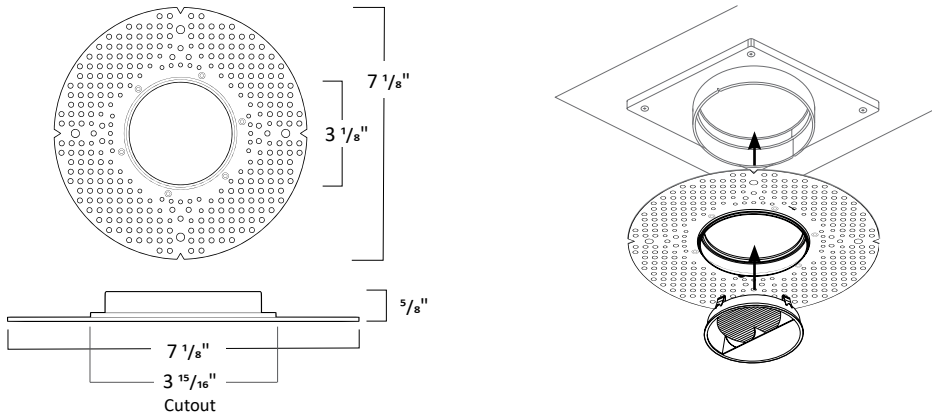


ADJUSTABLE MODULE DIMENSIONS

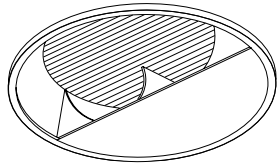


3" ARCHITECTURAL FIRE-RATED ROUND FLANGELESS WALL WASH

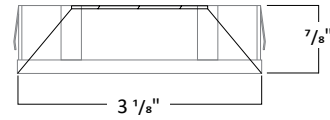
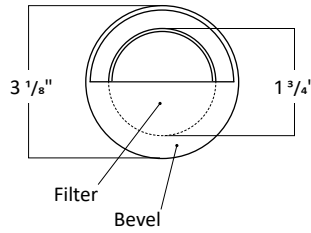
FLANGELESS PLASTER (LPR)



TRIM DIMENSIONS



3RLWC

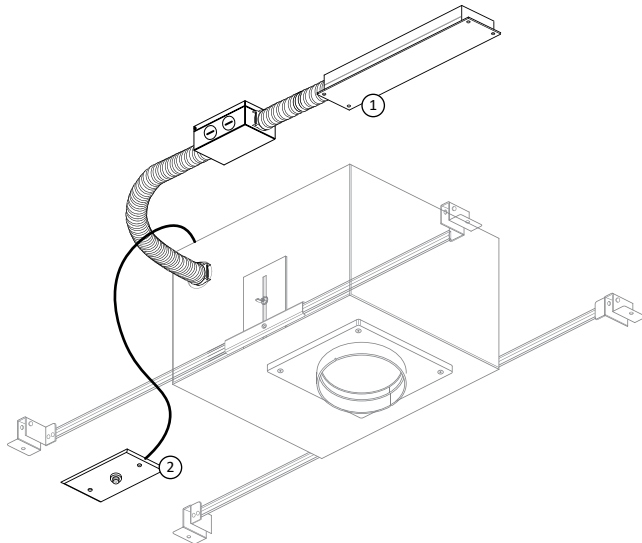


TRIM FINISH



*Consult Factory for Made to Order Finishes

REMOTE 8W EMERGENCY BATTERY



1. Remote Emergency Battery
2. Remote Test Switch

ER8W is an 8W Emergency Battery that is remote to the fixture with an remote test switch. Ceiling access is required to replace the EM unit.

PHOTOMETRIC DATA

