

WARM DIM

USE OF PRODUCT

Prodigy is an architectural fixture that is available in fixed, wall wash, or adjustable configurations. Meticulously engineered to offer an assortment of color temperatures, optics, filters, lumen outputs, and dimmable drivers. This series is suitable for residential and commercial applications in flange or flangeless appearance in an assortment of trim selections. May be utilized where fire-rating is required.

LED MODULE

Warm Dim LED range from 3000K to 1800K, in 90+ CRI, with 2-step binning which allows for color consistency between fixtures. This technology is great for setting a more cozy atmosphere and mimics the behavior of a traditional incandescent lighting. The module may be interchangeable from downlight, wall wash or adjustable by utilization of the appropriate holder. Module is accessible from below the ceiling.

ALIGNMENT/ADJUSTABILITY

- Collar notch allows for easy alignment between trims.
- Square collar provides mechanism to adjust +/- 5° before and after dry wall installation.
- Adjustable module may rotate 359° (horizontally) and tilt 35° (vertically), both positions may be locked.
- Adjustable module has dial indicator to determine tilt.

OPTICS AND FILTERS

Optical lens available in 30°, 35°, 45°, 55° and 75°. Easily achieve narrow spot to wide flood beam pattern. Optional frosted, honeycomb, or solite filter available upon request. Optics and filters are field-replaceable and are accessible from below the ceiling.

DIMMING

Intelligent Drive (ID) is the standard, all-inclusive driver which is Triac (120V), ELV (120V), and 0–10V (120V–277V). Optional driver selections include eldoLED and Lutron. Drivers are accessible from below the ceiling.

THERMAL MANAGEMENT

Ambient temperature at fixture location should not exceed -20°C to 40°C.

TRIM

Die-cast trims are available in an assortment of finishes in round/square, flange/flangeless. Consult factory for made-to-order finishes. Flanged trim is compatible with all ceiling materials. Flangeless available for plaster ceilings. Frosted acrylic diffuser on trim is standard and allows it to meet wet location applications. Acrylic diffuser may be removed in the field. Wing bracket on trim accommodates for varying ceiling depths.

EMERGENCY BATTERY

Optional emergency battery (EM) available in 4W or 8W versions. Each provides light for a minimum of 90 minutes. EM back box (installed by factory) is required for the 4W version. 4W is accessible from below the ceiling. Ceiling access is required for the 8W version (test switch is remote). EM is UL 924 certified, CEC Title 20 approved, and provides sufficient lumens to comply with NFPA 101 safety code.

MOUNTING

Universal bar hanger (U.H.) is designed to mount to wood (two positions) and T-bar ceilings. U.H. may be adjusted vertically to accommodate varying ceiling depths.

NOTE

2-hour fire-rated ceiling assembly can be maintained when installed according to the International Building Code, Section 714. Metallic outlet boxes with metallic or non-metallic cover plates may be used in floor-ceiling and roof-ceiling assemblies with ratings not exceeding 2 hours. These assemblies should have gypsum board membranes. The metallic outlet boxes should be securely fastened to the joists and the opening in the gypsum board facing should be cut so that the clearance between the box and the gypsum board does not exceed 1/8". The surface area of individual boxes should not exceed 16 square inches. The aggregate surface area of the boxes should not exceed 100 square inches per 100 square feet of ceiling surface.

LABELS/COMPLIANCE/WARRANTY

- ETL (Intertek) Listed per UL 1598
- ETL (Intertek) Listed per UL514A (2-hour fire-rated metallic outlet box)
- Wet location rated.
- IC air-tight rated.
- Chicago Plenum rated.
- State of California Title 24 and JA8 compliant.

PATENT PENDING



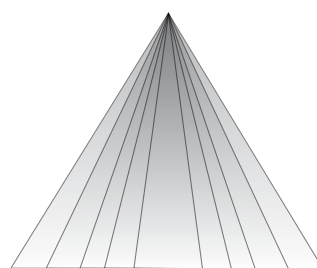
GENERAL PERFORMANCE CHART

*Detailed performance chart may be found on page 2

	6W	9W	12W	15W
Initial Lumens	597	847	1122	1360
Delivered Lumens	372-484	528-689	698-914	845-1109

* Values are listed at 3000K, 90+ CRI with trim. Delivered lumens range based on beam spread. Performance may vary +/- 5%

BEAM SPREAD



Available optics: 30° 35° 45° 55° 75°

- Field replaceable TIR optics
- Easily achieve narrow spot to wide flood beam pattern
- Optional filters available upon request

3" ARCHITECTURAL FIRE-RATED SQUARE FLANGE ADJUSTABLE

ORDERING INFORMATION

Series	Wattage	Dimming	Color Temperature	Optical Lens	Filter	Housing Type
RGY3	6W - 6 Watt 9W - 9 Watt 12W - 12 Watt 15W - 15 Watt	ID ¹ - Standard All-Inclusive ELV(120V), Triac(120V), and 0-10V(120-277V) Dimming Driver (Intelligent Drive) EEIS ² - eldoLED 1% Dim 0-10V (120-127V), Triac (120V) EDIO ³ - eldoLED 0.1% Dim (0-10V) EDID ³ - eldoLED 0.1% Dim (DALI) EDD ³ - eldoLED 1% Dim (DALI2) PEQO - Lutron Hi-Lume Premier Ecosystem 0.1% with Soft-on, Fade-to-Black Dimming	WD - Warm Dim	30 - 30° 35 - 35° 45 - 45° 55 - 55° 75 - 75°	None - Included F - Frosted Filter H - Honey Comb S - Solite Filter	IC - IC Air-Tight New Construction

Collar	Module Type	Frame Accessories	Options
3CS - 3" Square Collar, 5/8" Height	AMH - Adjustable	UH - Universal Adjustable Bar Hanger	EI4W - Emergency Battery with Integral test switch (400 lm) ER8W ⁴ - Emergency Battery with Remote test switch (800 lm) CP - Chicago Plenum

TRIM ORDERING INFORMATION

Bevel / Flange Finish

- 3SFOWW - White Bevel / White Flange
- 3SFOB B - Black Bevel / Black Flange
- 3SFOHW - Haze Bevel / White Flange
- 3SFOBZBZ - Bronze Bevel / Bronze Flange
- 3SFOMTO - Made To Order

Notes

1. Intelligent Drive is the standard driver.
2. Programmable only in linear mode.
3. Must specify logarithmic or linear eldoLED diver.
4. Ceiling access is required to replace the EM unit.

PERFORMANCE CHART

Optics		30°	35°	45°	55°	75°
6W	Initial Lumens	597	597	597	597	597
	Delivered Lumens	447	484	468	457	372
	UGR	12.6	13.6	16.1	18.2	20.3
9W	Initial Lumens	847	847	847	847	847
	Delivered Lumens	637	689	655	650	528
	UGR	14	14.9	17.4	19.5	21.5
12W	Initial Lumens	1122	1122	1122	1122	1122
	Delivered Lumens	849	914	880	862	698
	UGR	15.2	16.1	18.4	20.6	22.5
15W	Initial Lumens	1360	1360	1360	1360	1360
	Delivered Lumens	1034	1109	1066	1048	845
	UGR	16	17	19.2	21.3	23.2

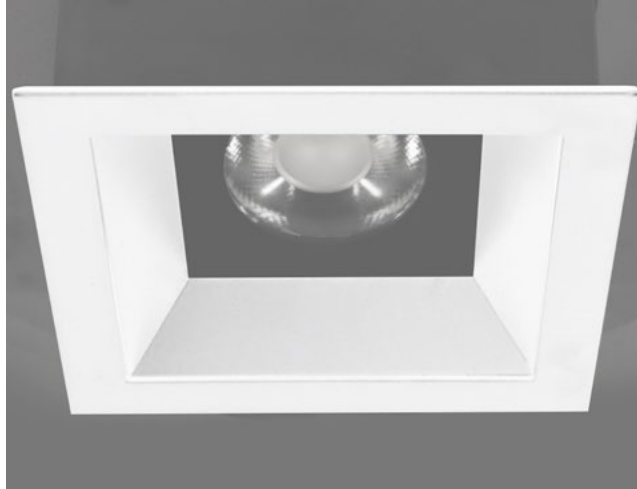
* Values are listed at 3000K, 90+ CRI with trim.

DIFFUSED LENS



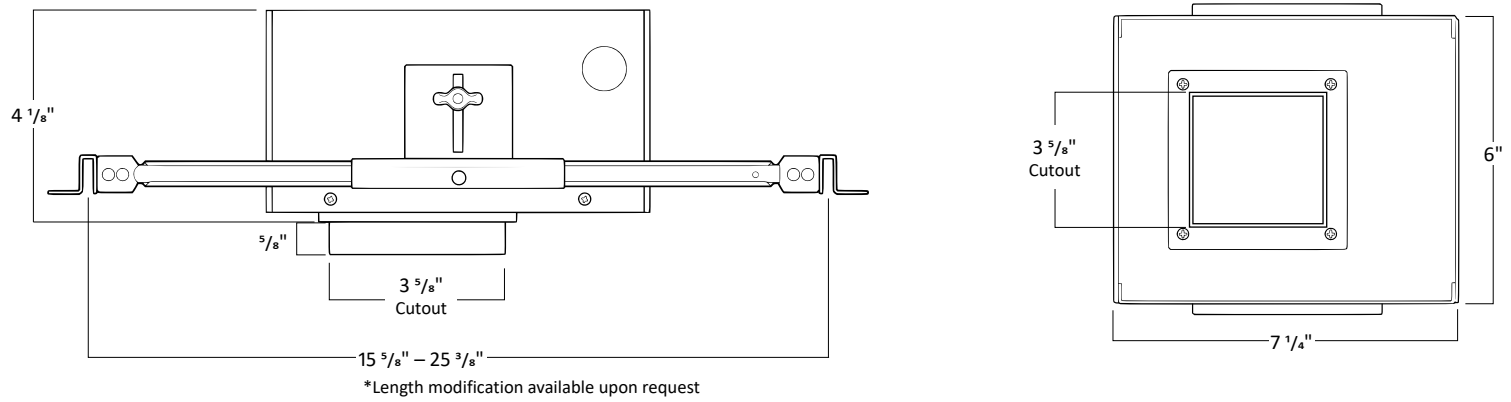
- Listed IES files are with diffused lens

OPTIONAL FIELD REMOVABLE LENS

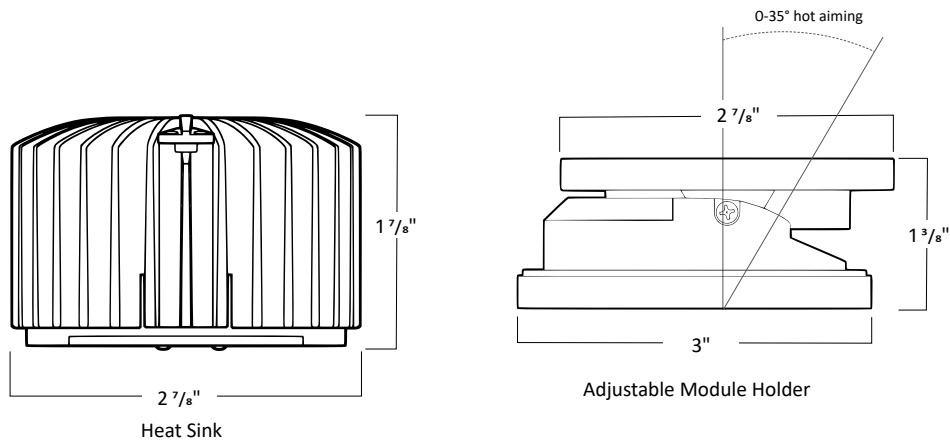


- Not suitable for wet locations
- Increase in lumens by approximately 7%

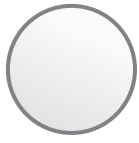
HOUSING DIMENSIONS



ADJUSTABLE MODULE DIMENSIONS



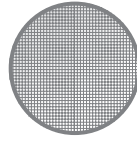
FILTERS



Frosted Filter

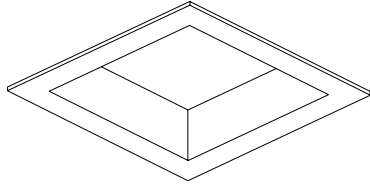


Honey Comb

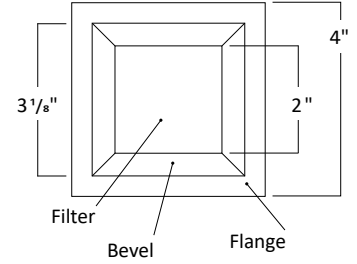
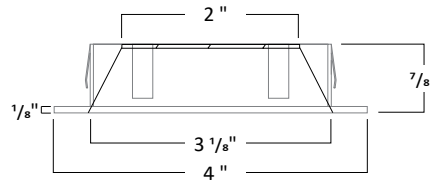


Solite Filter

TRIM DIMENSIONS



3SFO



TRIM FINISH



White



Black



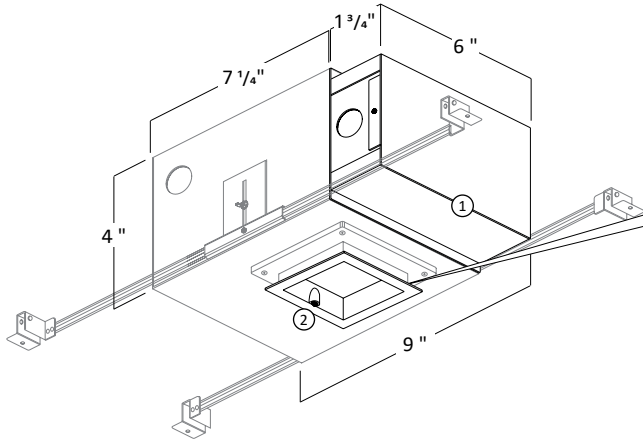
Haze



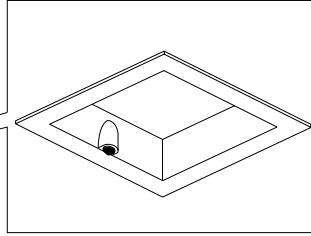
Bronze

*Consult Factory for Made to Order Finishes

INTEGRAL 4W EMERGENCY BATTERY

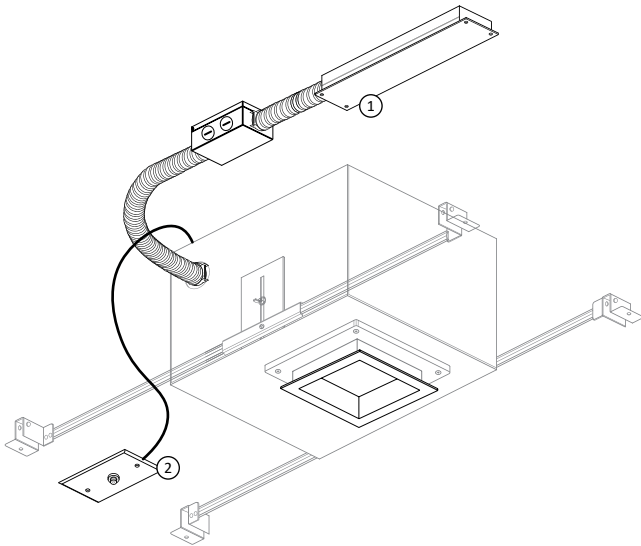


1. Integral Emergency Battery Compartment
2. Integral Test Switch



EI4W is an 4W Emergency Battery that is integral to the fixture with an integral test switch. The EM unit is accessible from below the ceiling for replacement purposes.

REMOTE 8W EMERGENCY BATTERY



1. Remote Emergency Battery
2. Remote Test Switch

ER8W is an 8W Emergency Battery that is remote to the fixture with a remote test switch. Ceiling access is required to replace the EM unit.