



WARM DIM

USE OF PRODUCT

Prodigy is an architectural fixture that is available in fixed, wall wash, or adjustable configurations. Meticulously engineered to offer an assortment of color temperatures, optics, filters, lumen outputs, and dimmable drivers. This series is suitable for residential and commercial applications in flange or flangeless appearance in an assortment of trim selections. May be utilized where fire-rating is required.

LED MODULE

Warm Dim LED range from 3000K to 1800K, in 90+ CRI, with 2-step binning which allows for color consistency between fixtures. This technology is great for setting a more cozy atmosphere and mimics the behavior of a traditional incandescent lighting. The module may be interchangeable from downlight, wall wash or adjustable by utilization of the appropriate holder. Module is accessible from below the ceiling.

ALIGNMENT/ADJUSTABILITY

- Collar notch allows for easy alignment between trims.
- Square collar provides mechanism to adjust +/- 5° before and after dry wall installation.

OPTICS AND FILTERS

Optical lens available in 30°, 35°, 45°, 55° and 80°. Easily achieve narrow spot to wide flood beam pattern. Optional frosted, honeycomb, or solite filter available upon request. Optics and filters are field-replaceable and are accessible from below the ceiling.

DIMMING

Intelligent Drive (ID) is the standard, all-inclusive driver which is Triac (120V), ELV (120V), and 0-10V (120V-277V). Optional driver selections include eldoLED and Lutron. Drivers are accessible from below the ceiling.

THERMAL MANAGEMENT

Ambient temperature at fixture location should not exceed -20°C to 40°C.

TRIM

Die-cast trims are available in an assortment of finishes in round/square, flange/flangeless. Consult factory for made-to-order finishes. Flanged trim is compatible with all ceiling materials. Flangeless available for plaster ceilings. Frosted acrylic diffuser on trim is standard and allows it to meet wet location applications. Acrylic diffuser may be removed in the field. Wing bracket on trim accommodates for varying ceiling depths.

EMERGENCY BATTERY

Optional emergency battery (EM) available in 4W or 8W versions. Each provides light for a minimum of 90 minutes. EM back box (installed by factory) is required for the 4W version. 4W is accessible from below the ceiling. Ceiling access is required for the 8W version (test switch is remote). EM is UL 924 certified, CEC Title 20 approved, and provides sufficient lumens to comply with NFPA 101 safety code.

MOUNTING

Universal bar hanger (U.H.) is designed to mount to wood (two positions) and T-bar ceilings. U.H. may be adjusted vertically to accommodate varying ceiling depths.

NOTE

2-hour fire-rated ceiling assembly can be maintained when installed according to the International Building Code, Section 714. Metallic outlet boxes with metallic or non-metallic cover plates may be used in floor-ceiling and roof-ceiling assemblies with ratings not exceeding 2 hours. These assemblies should have gypsum board membranes. The metallic outlet boxes should be securely fastened to the joists and the opening in the gypsum board facing should be cut so that the clearance between the box and the gypsum board does not exceed 1/8". The surface area of individual boxes should not exceed 16 square inches. The aggregate surface area of the boxes should not exceed 100 square inches per 100 square feet of ceiling surface.

LABELS/COMPLIANCE/WARRANTY

- ETL (Intertek) Listed per UL 1598
- ETL (Intertek) Listed per UL514A (2-hour fire-rated metallic outlet box)
- Wet location rated.
- IC air-tight rated.
- Chicago Plenum rated.
- State of California Title 24 and JA8 compliant.



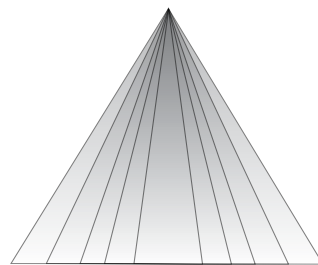
GENERAL PERFORMANCE CHART

*Detailed performance chart may be found on page 2

| | 6W | 9W | 12W | 15W |
|-------------------------|---------|---------|---------|-----------|
| Initial Lumens | 597 | 847 | 1122 | 1360 |
| Delivered Lumens | 485-513 | 691-731 | 917-973 | 1113-1184 |

* Values are listed at 3000K, 90+ CRI with trim.
Delivered lumens range based on beam spread.
Performance may vary +/- 5%

BEAM SPREAD



Available optics: 30° 35° 45° 55° 80°

- Field replaceable TIR optics
- Easily achieve narrow spot to wide flood beam pattern
- Optional filters available upon request

3" ARCHITECTURAL FIRE-RATED SQUARE FLANGELESS DOWNLIGHT

ORDERING INFORMATION

| | | | | | |
|--|--|--|---|--|---|
| Wattage 6W - 6 Watt 9W - 9 Watt 12W - 12 Watt 15W - 15 Watt | Dimming ID ¹ - Standard All-Inclusive ELV(120V), Triac(120V), and 0-10V(120-277V) Dimming Driver (Intelligent Drive) EEIS ² - eldoLED 1% Dim 0-10V (120-127V), Triac (120V) EDIO ³ - eldoLED 0.1% Dim (0-10V) EDID ³ - eldoLED 0.1% Dim (DALI) EDD ³ - eldoLED 1% Dim (DALI2) PEQO - Lutron Hi-Lume Premier Ecosystem 0.1% with Soft-on, Fade-to-Black Dimming | Color Temperature WD - Warm Dim | Optical Lens 30 - 30° 35 - 35° 30 - 30° 55 - 55° 80 - 80° | Filter None - Included F - Frosted Filter H - Honey Comb S - Solite Filter | Housing Type IC - IC Air-Tight New Construction |
| Collar 3CS - 3" Square Collar, 5/8" Height | Module Type FMH - Downlight | Trim Style LPS - Square Flangeless Plaster | Frame Accessories UH - Universal Adjustable Bar Hanger | Options EI4W - Emergency Battery with Integral Switch (4W) ER8W ⁴ - Emergency Battery with Remote Switch (8W) CP - Chicago Plenum | |

TRIM ORDERING INFORMATION

- Bevel Finish**
- 3SLOW - White Bevel
 - 3SLOB - Black Bevel
 - 3SLOH - Haze Bevel
 - 3SLOBZ - Bronze Bevel
 - 3SLOMTO - Made To Order

- Notes**
1. Intelligent Drive is the standard driver.
 2. Programmable only in linear mode.
 3. Must specify logarithmic or linear eldoLED driver.
 4. Ceiling access is required to replace the EM unit.

PERFORMANCE CHART

| Optics | | 30° | 35° | 45° | 55° | 80° |
|------------|------------------|------|------|------|------|------|
| 6W | Initial Lumens | 597 | 597 | 597 | 597 | 597 |
| | Delivered Lumens | 488 | 511 | 513 | 494 | 485 |
| | UGR | 14.6 | 14.7 | 16.9 | 19.6 | 23.2 |
| 9W | Initial Lumens | 847 | 847 | 847 | 847 | 847 |
| | Delivered Lumens | 695 | 727 | 731 | 702 | 691 |
| | UGR | 15.9 | 16 | 18.2 | 20.8 | 24.5 |
| 12W | Initial Lumens | 1122 | 1122 | 1122 | 1122 | 1122 |
| | Delivered Lumens | 921 | 963 | 973 | 928 | 917 |
| | UGR | 17 | 17 | 19.2 | 21.9 | 25.5 |
| 15W | Initial Lumens | 1360 | 1360 | 1360 | 1360 | 1360 |
| | Delivered Lumens | 1116 | 1163 | 1184 | 1121 | 1113 |
| | UGR | 17.7 | 17.7 | 19.9 | 22.5 | 26.1 |

* Values are listed at 3000K, 90+ CRI with trim.

DIFFUSED LENS



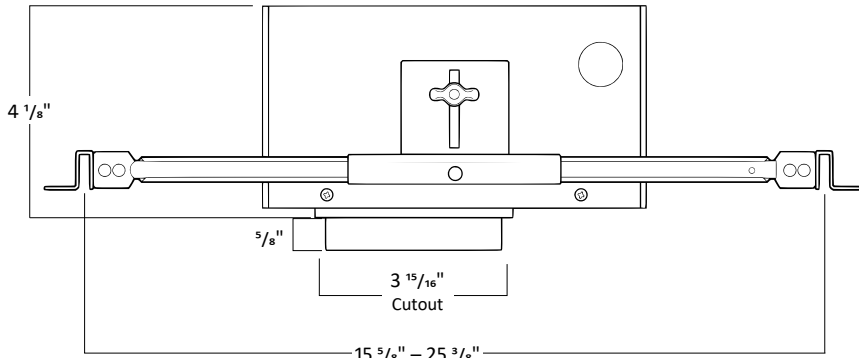
- Listed IES files are with diffused lens

OPTIONAL FIELD REMOVABLE LENS

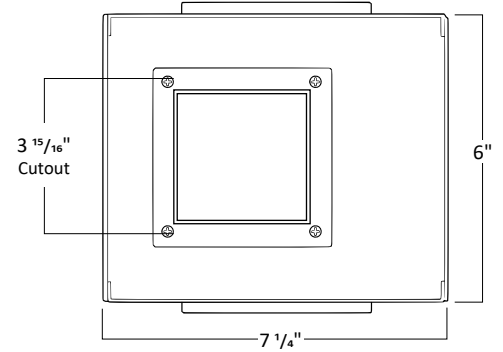


- Not suitable for wet locations
- Increase in lumens by approximately 7%

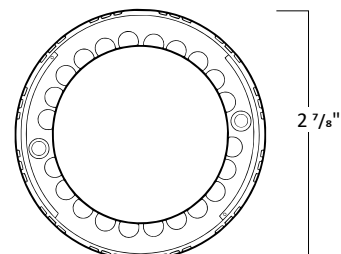
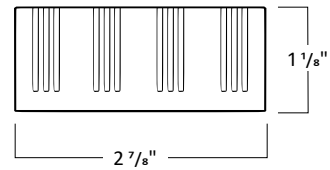
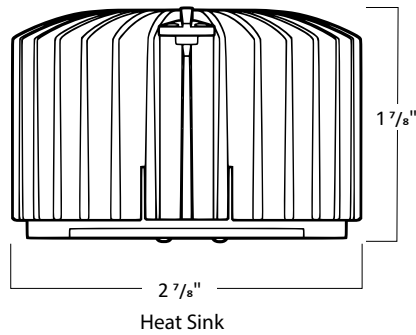
HOUSING DIMENSIONS



*Length modification available upon request



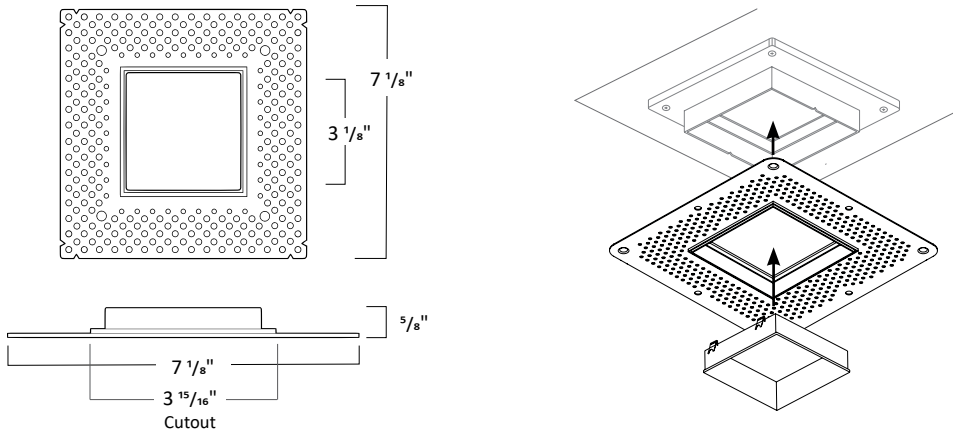
MODULE DIMENSIONS



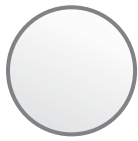
Fixed Module Holder

3" ARCHITECTURAL FIRE-RATED SQUARE FLANGELESS DOWNLIGHT

FLANGELESS PLASTER (LPS)



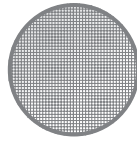
FILTERS



Frosted Filter

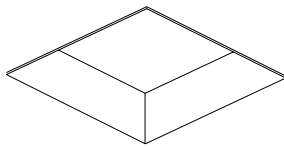


Honey Comb

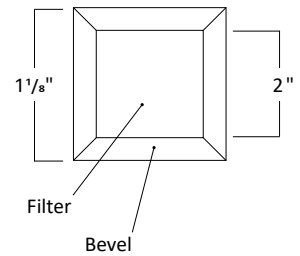
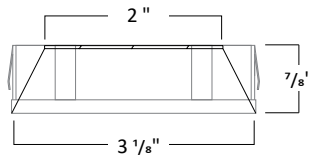


Solite Filter

TRIM DIMENSIONS



3SLO



TRIM FINISH



White



Black



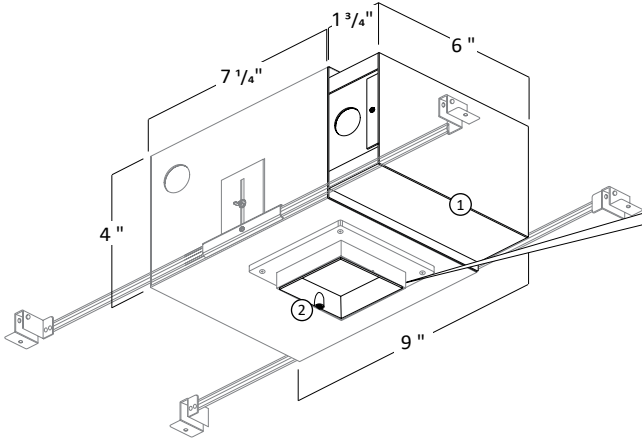
Haze



Bronze

*Consult Factory for Made to Order Finishes

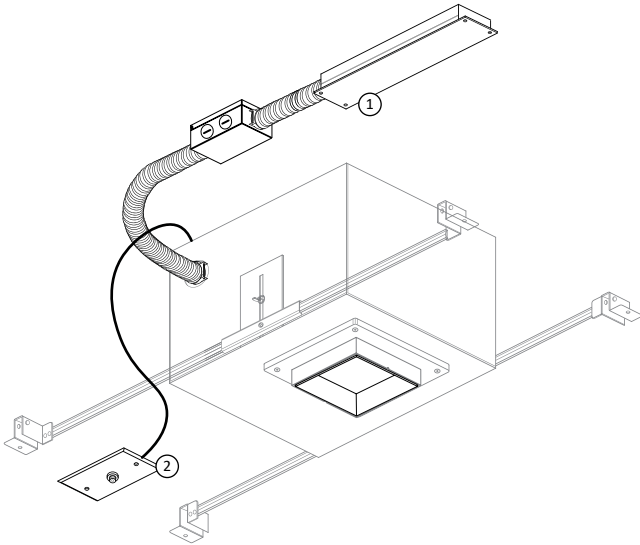
INTEGRAL 4W EMERGENCY BATTERY



- 1. Integral Emergency Battery Compartment
- 2. Integral Test Switch

EI4W is an 4W Emergency Battery that is integral to the fixture with an integral test switch. The EM unit is accessible from below the ceiling for replacement purposes.

REMOTE 8W EMERGENCY BATTERY



- 1. Remote Emergency Battery
- 2. Remote Test Switch

ER8W is an 8W Emergency Battery that is remote to the fixture with a remote test switch. Ceiling access is required to replace the EM unit.

PHOTOMETRIC DATA

6W - 30°

| Throw Distance | Center Beam fc | Beam Width |
|----------------|----------------|------------|
| 6 ft | 39 | 3.1 ft |
| 8 ft | 22 | 4.2 ft |
| 10 ft | 14 | 5.2 ft |
| 12 ft | 10 | 6.3 ft |
| 14 ft | 7 | 7.3 ft |
| 16 ft | 5 | 8.4 ft |
| 18 ft | 4 | 9.4 ft |
| 20 ft | 4 | 10.5 ft |

Delivered Lumens : 488 lm
Efficiency : 76 lm/W

6W - 35°

| Throw Distance | Center Beam fc | Beam Width |
|----------------|----------------|------------|
| 6 ft | 34 | 3.5 ft |
| 8 ft | 19 | 4.7 ft |
| 10 ft | 12 | 5.9 ft |
| 12 ft | 9 | 7.1 ft |
| 14 ft | 6 | 8.3 ft |
| 16 ft | 5 | 9.5 ft |
| 18 ft | 4 | 10.7 ft |
| 20 ft | 3 | 11.9 ft |

Delivered Lumens : 511 lm
Efficiency : 80 lm/W

6W - 45°

| Throw Distance | Center Beam fc | Beam Width |
|----------------|----------------|------------|
| 6 ft | 24 | 4.5 ft |
| 8 ft | 13 | 6.1 ft |
| 10 ft | 8 | 7.6 ft |
| 12 ft | 6 | 9.1 ft |
| 14 ft | 4 | 10.6 ft |
| 16 ft | 3 | 12.1 ft |
| 18 ft | 3 | 13.7 ft |
| 20 ft | 2 | 15.2 ft |

Delivered Lumens : 513 lm
Efficiency : 80 lm/W

6W - 55°

| Throw Distance | Center Beam fc | Beam Width |
|----------------|----------------|------------|
| 6 ft | 16 | 5.8 ft |
| 8 ft | 9 | 7.8 ft |
| 10 ft | 6 | 9.8 ft |
| 12 ft | 4 | 11.7 ft |
| 14 ft | 3 | 13.7 ft |
| 16 ft | 2 | 15.7 ft |
| 18 ft | 2 | 17.6 ft |
| 20 ft | 1 | 19.6 ft |

Delivered Lumens : 494 lm
Efficiency : 77 lm/W

6W - 80°

| Throw Distance | Center Beam fc | Beam Width |
|----------------|----------------|------------|
| 6 ft | 8 | 10.0 ft |
| 8 ft | 5 | 13.3 ft |
| 10 ft | 3 | 16.7 ft |
| 12 ft | 2 | 20.0 ft |
| 14 ft | 1.5 | 23.4 ft |
| 16 ft | 1.2 | 26.7 ft |
| 18 ft | 0.9 | 30.1 ft |
| 20 ft | 0.7 | 33.4 ft |

Delivered Lumens : 485 lm
Efficiency : 76 lm/W

9W - 30°

| Throw Distance | Center Beam fc | Beam Width |
|----------------|----------------|------------|
| 6 ft | 55 | 3.1 ft |
| 8 ft | 31 | 4.1 ft |
| 10 ft | 20 | 5.2 ft |
| 12 ft | 14 | 6.2 ft |
| 14 ft | 10 | 7.3 ft |
| 16 ft | 8 | 8.4 ft |
| 18 ft | 6 | 9.4 ft |
| 20 ft | 5 | 10.5 ft |

Delivered Lumens : 695 lm
Efficiency : 76 lm/W

9W - 35°

| Throw Distance | Center Beam fc | Beam Width |
|----------------|----------------|------------|
| 6 ft | 49 | 3.5 ft |
| 8 ft | 28 | 4.7 ft |
| 10 ft | 18 | 5.9 ft |
| 12 ft | 12 | 7.1 ft |
| 14 ft | 9 | 8.3 ft |
| 16 ft | 7 | 9.5 ft |
| 18 ft | 5 | 10.6 ft |
| 20 ft | 4 | 11.8 ft |

Delivered Lumens : 727 lm
Efficiency : 79 lm/W

9W - 45°

| Throw Distance | Center Beam fc | Beam Width |
|----------------|----------------|------------|
| 6 ft | 34 | 4.5 ft |
| 8 ft | 19 | 6.1 ft |
| 10 ft | 12 | 7.6 ft |
| 12 ft | 8 | 9.1 ft |
| 14 ft | 6 | 10.6 ft |
| 16 ft | 5 | 12.1 ft |
| 18 ft | 4 | 13.7 ft |
| 20 ft | 3 | 15.2 ft |

Delivered Lumens : 731 lm
Efficiency : 79 lm/W

9W - 55°

| Throw Distance | Center Beam fc | Beam Width |
|----------------|----------------|------------|
| 6 ft | 22 | 5.8 ft |
| 8 ft | 12 | 7.8 ft |
| 10 ft | 8 | 9.8 ft |
| 12 ft | 6 | 11.7 ft |
| 14 ft | 4 | 13.7 ft |
| 16 ft | 3 | 15.7 ft |
| 18 ft | 2 | 17.6 ft |
| 20 ft | 2 | 19.6 ft |

Delivered Lumens : 702 lm
Efficiency : 76 lm/W

9W - 80°

| Throw Distance | Center Beam fc | Beam Width |
|----------------|----------------|------------|
| 6 ft | 12 | 10.0 ft |
| 8 ft | 7 | 13.3 ft |
| 10 ft | 4 | 16.7 ft |
| 12 ft | 3 | 20.0 ft |
| 14 ft | 2 | 23.4 ft |
| 16 ft | 2 | 26.7 ft |
| 18 ft | 1 | 30.1 ft |
| 20 ft | 1 | 33.4 ft |

Delivered Lumens : 691 lm
Efficiency : 75 lm/W

12W - 30°

| Throw Distance | Center Beam fc | Beam Width |
|----------------|----------------|------------|
| 6 ft | 73 | 3.1 ft |
| 8 ft | 41 | 4.1 ft |
| 10 ft | 26 | 5.2 ft |
| 12 ft | 18 | 6.2 ft |
| 14 ft | 13 | 7.3 ft |
| 16 ft | 10 | 8.4 ft |
| 18 ft | 8 | 9.4 ft |
| 20 ft | 7 | 10.5 ft |

Delivered Lumens : 921 lm
Efficiency : 75 lm/W

12W - 35°

| Throw Distance | Center Beam fc | Beam Width |
|----------------|----------------|------------|
| 6 ft | 65 | 3.5 ft |
| 8 ft | 36 | 4.7 ft |
| 10 ft | 23 | 5.9 ft |
| 12 ft | 16 | 7.1 ft |
| 14 ft | 12 | 8.3 ft |
| 16 ft | 9 | 9.5 ft |
| 18 ft | 7 | 10.6 ft |
| 20 ft | 6 | 11.8 ft |

Delivered Lumens : 963 lm
Efficiency : 78 lm/W

12W - 45°

| Throw Distance | Center Beam fc | Beam Width |
|----------------|----------------|------------|
| 6 ft | 45 | 4.5 ft |
| 8 ft | 25 | 6.1 ft |
| 10 ft | 16 | 7.6 ft |
| 12 ft | 11 | 9.1 ft |
| 14 ft | 8 | 10.6 ft |
| 16 ft | 6 | 12.1 ft |
| 18 ft | 5 | 13.7 ft |
| 20 ft | 4 | 15.2 ft |

Delivered Lumens : 973 lm
Efficiency : 79 lm/W

12W - 55°

| Throw Distance | Center Beam fc | Beam Width |
|----------------|----------------|------------|
| 6 ft | 29 | 5.8 ft |
| 8 ft | 16 | 7.8 ft |
| 10 ft | 10 | 9.8 ft |
| 12 ft | 7 | 11.7 ft |
| 14 ft | 5 | 13.7 ft |
| 16 ft | 4 | 15.7 ft |
| 18 ft | 3 | 17.6 ft |
| 20 ft | 3 | 19.6 ft |

Delivered Lumens : 928 lm
Efficiency : 75 lm/W

12W - 80°

| Throw Distance | Center Beam fc | Beam Width |
|----------------|----------------|------------|
| 6 ft | 16 | 10.0 ft |
| 8 ft | 9 | 13.3 ft |
| 10 ft | 6 | 16.7 ft |
| 12 ft | 4 | 20.0 ft |
| 14 ft | 3 | 23.4 ft |
| 16 ft | 2 | 26.7 ft |
| 18 ft | 2 | 30.1 ft |
| 20 ft | 1 | 33.4 ft |

Delivered Lumens : 917 lm
Efficiency : 75 lm/W

15W - 30°

| Throw Distance | Center Beam fc | Beam Width |
|----------------|----------------|------------|
| 6 ft | 88 | 3.1 ft |
| 8 ft | 50 | 4.2 ft |
| 10 ft | 32 | 5.2 ft |
| 12 ft | 22 | 6.3 ft |
| 14 ft | 16 | 7.3 ft |
| 16 ft | 12 | 8.4 ft |
| 18 ft | 10 | 9.4 ft |
| 20 ft | 8 | 10.5 ft |

Delivered Lumens : 1116 lm
Efficiency : 73 lm/W

15W - 35°

| Throw Distance | Center Beam fc | Beam Width |
|----------------|----------------|------------|
| 6 ft | 78 | 3.5 ft |
| 8 ft | 44 | 4.7 ft |
| 10 ft | 28 | 5.9 ft |
| 12 ft | 20 | 7.1 ft |
| 14 ft | 14 | 8.3 ft |
| 16 ft | 11 | 9.5 ft |
| 18 ft | 9 | 10.6 ft |
| 20 ft | 7 | 11.8 ft |

Delivered Lumens : 1163 lm
Efficiency : 76 lm/W

15W - 45°

| Throw Distance | Center Beam fc | Beam Width |
|----------------|----------------|------------|
| 6 ft | 54 | 4.5 ft |
| 8 ft | 31 | 6.1 ft |
| 10 ft | 20 | 7.6 ft |
| 12 ft | 14 | 9.1 ft |
| 14 ft | 10 | 10.6 ft |
| 16 ft | 8 | 12.1 ft |
| 18 ft | 6 | 13.7 ft |
| 20 ft | 5 | 15.2 ft |

Delivered Lumens : 1184 lm
Efficiency : 77 lm/W

15W - 55°

| Throw Distance | Center Beam fc | Beam Width |
|----------------|----------------|------------|
| 6 ft | 35 | 5.8 ft |
| 8 ft | 20 | 7.8 ft |
| 10 ft | 13 | 9.8 ft |
| 12 ft | 9 | 11.7 ft |
| 14 ft | 6 | 13.7 ft |
| 16 ft | 5 | 15.7 ft |
| 18 ft | 4 | 17.6 ft |
| 20 ft | 3 | 19.6 ft |

Delivered Lumens : 1121 lm
Efficiency : 73 lm/W

15W - 80°

| Throw Distance | Center Beam fc | Beam Width |
|----------------|----------------|------------|
| 6 ft | 19 | 9.9 ft |
| 8 ft | 11 | 13.3 ft |
| 10 ft | 7 | 16.7 ft |
| 12 ft | 5 | 20.0 ft |
| 14 ft | 3 | 23.3 ft |
| 16 ft | 3 | 26.7 ft |
| 18 ft | 2 | 29.9 ft |
| 20 ft | 2 | 33.3 ft |

Delivered Lumens : 1113 lm
Efficiency : 73 lm/W