



USE OF PRODUCT

Prodigy is an architectural fixture that is available in fixed, wall wash, or adjustable configurations. Meticulously engineered to offer an assortment of color temperatures, optics, filters, lumen outputs, and dimmable drivers. This series is suitable for residential and commercial applications in flange or flangeless downlight, wall wash, or adjustable by utilization of appropriate module holder. Module is accessible from below the ceiling.

LED MODULE

Cree LEDs in static white or warm dim, in 90+ CRI, with 2-step binning which allows for color consistency between fixtures. Module may be interchangeable from downlight, wall wash, or adjustable by utilization of appropriate module holder. Module is accessible from below the ceiling.

ALIGNMENT/ADJUSTABILITY

- Collar notch allows for easy alignment between trims.
- Square collar provides mechanism to adjust +/- 5° before and after dry wall installation.

OPTICS AND FILTERS

Optical lens available in 18°, 25°, 30°, 40°, 50° and 80°. Easily achieve narrow spot to wide flood beam pattern. Optional frosted, honeycomb, or solite filter available upon request. Optics and filters are field-replaceable and are accessible from below the ceiling.

DIMMING

Intelligent Drive (ID) is the standard, all-inclusive driver which is Triac (120V), ELV (120V), and 0–10V (120V–277V). Optional driver selections include eldoLED. All drivers are accessible from below the ceiling.

THERMAL MANAGEMENT

Ambient temperature at fixture location should not exceed -20°C to 40°C.

TRIM

Die-cast trims are available in an assortment of finishes in round/square, flange/flangeless. Consult factory for made-to-order finishes. Flanged trim is compatible with all ceiling materials. Flangeless available for plaster ceilings. Frosted acrylic diffuser on trim is standard and allows it to meet wet location applications. Acrylic diffuser may be removed in the field. Wing bracket on trim accommodates for varying ceiling depths.

EMERGENCY BATTERY

Optional emergency battery (EM) available in 4W or 8W versions. Each provides light for a minimum of 90 minutes. EM back box (installed by factory) is required for the 4W version. 4W is accessible from below the ceiling. Ceiling access is required for the 8W version (test switch is remote). EM is UL 924 certified, CEC Title 20 approved, and provides sufficient lumens to comply with NFPA 101 safety code.

MOUNTING

Universal bar hanger (UH) is designed to mount to wood (two positions) and T-bar ceilings. UH may be adjusted vertically to accommodate varying ceiling depths.

NOTE

2-hour fire-rated ceiling assembly can be maintained when installed according to the International Building Code, Section 714. Metallic outlet boxes with metallic or non-metallic cover plates may be used in floor-ceiling and roof-ceiling assemblies with ratings not exceeding 2 hours. These assemblies should have gypsum board membranes. The metallic outlet boxes should be securely fastened to the joists and the opening in the gypsum board facing should be cut so that the clearance between the box and the gypsum board does not exceed 1/8". The surface area of individual boxes should not exceed 16 square inches. The aggregate surface area of the boxes should not exceed 100 square inches per 100 square feet of ceiling surface.

LABELS/COMPLIANCE/WARRANTY

- ETL (Intertek) Listed per UL 1598
- ETL (Intertek) Listed per UL514A (2-hour fire-rated metallic outlet box)
- Wet location rated.
- IC air-tight rated.
- Chicago Plenum rated.
- State of California Title 24 and JA8 compliant.



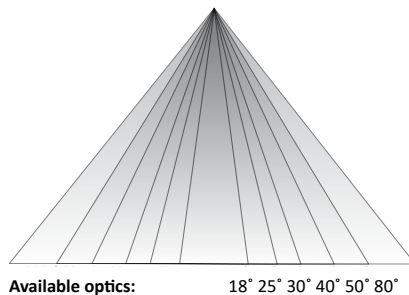
GENERAL PERFORMANCE CHART

*Detailed performance chart may be found on page 2

	6W	9W	12W	15W
Initial Lumens	955	1296	1618	2015
Delivered Lumens	738-826	1005-1124	1268-1406	1511-1713

* Values are listed at 3000K, 90+ CRI with trim. Delivered lumens range based on beam spread. Performance may vary +/- 5%

BEAM SPREAD



- Field replaceable TIR optics
- Easily achieve narrow spot to wide flood beam pattern
- Optional filters available upon request

3" ARCHITECTURAL FIRE-RATED SQUARE FLANGELESS DOWNLIGHT

ORDERING INFORMATION

Series	Wattage	Dimming	Color Temperature	Optical Lens	Filter	Housing Type
RGY3	6W - 6 Watt 9W - 9 Watt 12W - 12 Watt 15W - 15 Watt	ID ¹ - Standard All-Inclusive ELV(120V), Triac(120V), and 0-10V(120-277V) Dimming Driver (Intelligent Drive) EEIS ² - eldoLED 1% Dim 0-10V (120-127V), Triac (120V) EDIO ³ - eldoLED 0.1% Dim (0-10V) EDID ³ - eldoLED 0.1% Dim (DALI) EDD ³ - eldoLED 1% Dim (DALI2) PEQO - Lutron Hi-Lume Premier Ecosystem 0.1% with Soft-on, Fade-to-Black Dimming	27K - 2700K 30K - 3000K 35K - 3500K 40K - 4000K	18° - 18° 25 - 25° 30 - 30° 40 - 40° 50 - 50° 80 - 80°	None - Included F - Frosted Filter H - Honey Comb S - Solite Filter	IC - IC Air-Tight New Construction
Collar	Module Type	Plaster Ring	Frame Accessories	Options		
3CS - 3" Square Collar, 5/8" Height	FMH - Downlight	LPS - Square Flangeless Plaster	UH - Universal Adjustable Bar Hanger	EI4W - Emergency Battery with Integral Switch (4W) ER8W ² - Emergency Battery with Remote Switch (8W) CP - Chicago Plenum		

TRIM ORDERING INFORMATION

- Bevel Finish**
- 3SLOW - White Bevel
 - 3SLOB - Black Bevel
 - 3SLOH - Haze Bevel
 - 3SLOBZ - Bronze Bevel
 - 3SLOMTO - Made To Order

- Notes**
- Intelligent Drive is the standard driver.
 - Programmable only in linear mode.
 - Must specify logarithmic or linear eldoLED diver.
 - 18° spread without lens on trim.
 - Ceiling access is required to replace the EM unit.

PERFORMANCE CHART

Optics		18°	25°	30°	40°	50°	80°
6W	Initial Lumens	955	955	955	955	955	955
	Delivered Lumens	826	768	816	817	759	738
	UGR	12.1	15.6	14.2	16.6	20.9	23.5
9W	Initial Lumens	1296	1296	1296	1296	1296	1296
	Delivered Lumens	1124	1043	1112	1111	1035	1005
	UGR	13.3	16.7	15.3	17.7	22	24.6
12W	Initial Lumens	1618	1618	1618	1618	1618	1618
	Delivered Lumens	1406	1316	1388	1396	1305	1268
	UGR	14.2	17.6	16.6	18.6	22.8	25.5
15W	Initial Lumens	2015	2015	2015	2015	2015	2015
	Delivered Lumens	1713	1604	1699	1692	1612	1511
	UGR	14.9	19.2	19	20.5	23.5	26.1

* Values are listed at 3000K, 90+ CRI with trim.

- Notes**
- 18° spread without lens on trim

COLOR TEMPERATURE MULTIPLIER FOR DELIVERED LUMENS

2700K	3000K	3500K	4000K
0.95	1.00	1.04	1.07

DIFFUSED LENS



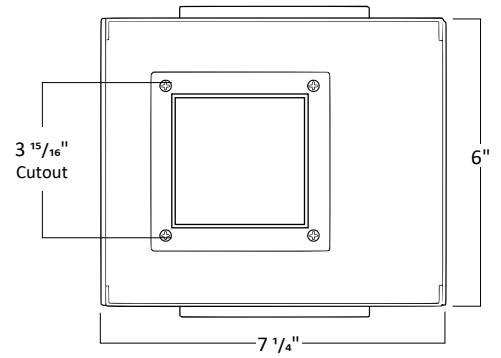
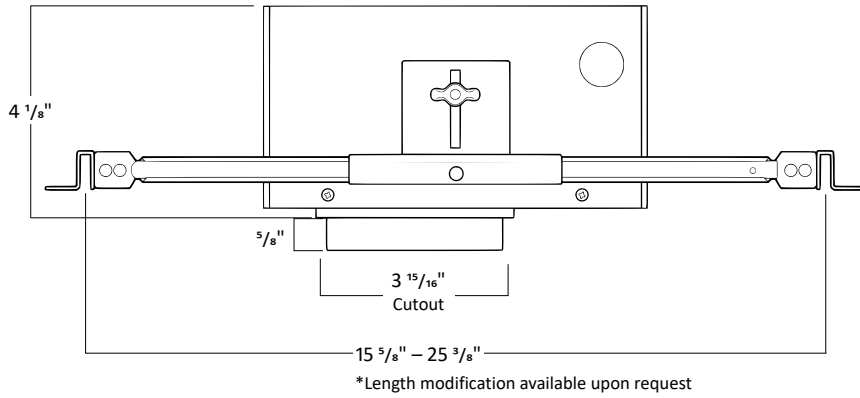
- Listed IES files are with diffused lens

OPTIONAL FIELD REMOVABLE LENS

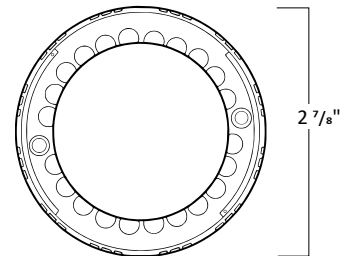
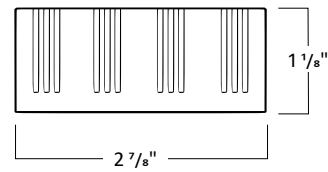
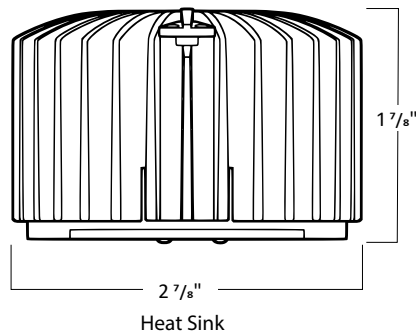


- Not suitable for wet locations
- Increase in lumens by approximately 7%

HOUSING DIMENSIONS

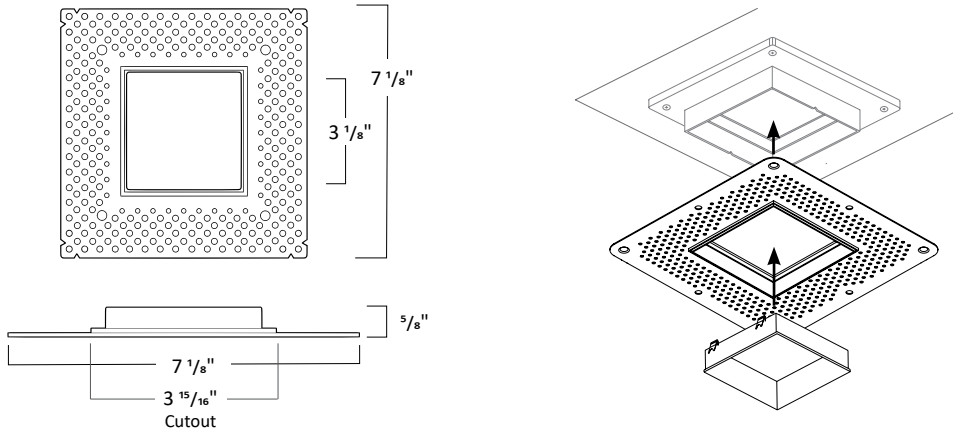


MODULE DIMENSIONS

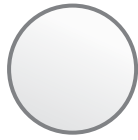


3" ARCHITECTURAL FIRE-RATED SQUARE FLANGELESS DOWNLIGHT

FLANGELESS PLASTER (LPS)



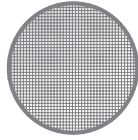
FILTERS



Frosted Filter



Honey Comb

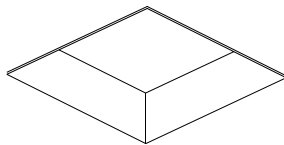


Solite Filter

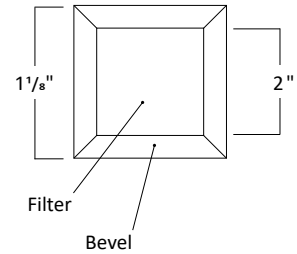
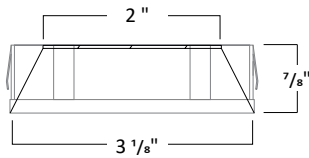


Linear Filter

TRIM DIMENSIONS



3SLO



TRIM FINISH



White



Black



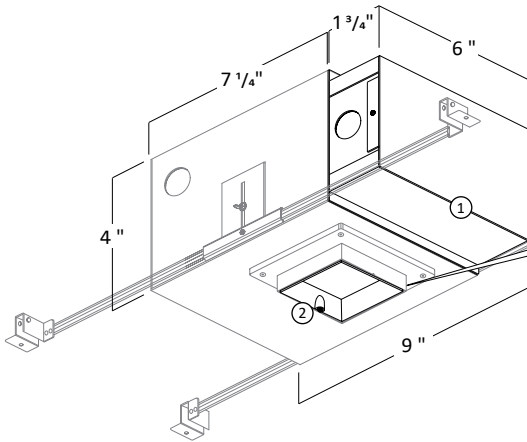
Haze



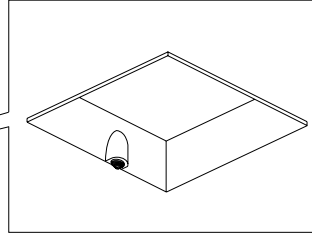
Bronze

*Consult Factory for Made to Order Finishes

INTEGRAL 4W EMERGENCY BATTERY

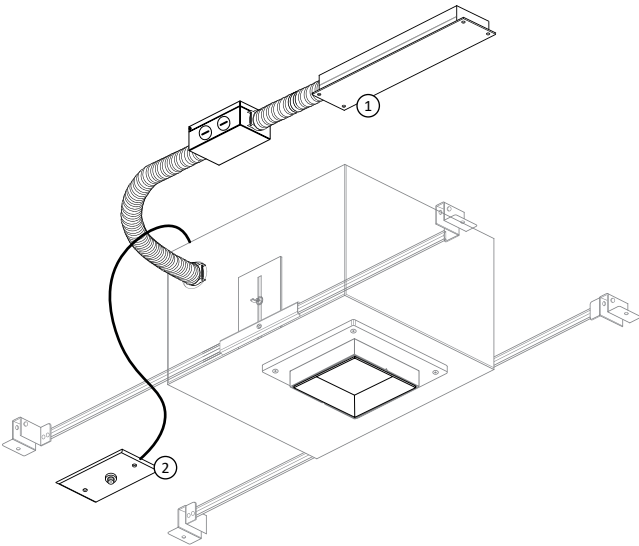


1. Integral Emergency Battery Compartment
2. Integral Test Switch



EI4W is a 4W Emergency Battery that is integral to the fixture with an integral test switch. The EM unit is accessible from below the ceiling for replacement purposes.

REMOTE 8W EMERGENCY BATTERY



1. Remote Emergency Battery
2. Remote Test Switch

ER8W is an 8W Emergency Battery that is remote to the fixture with a remote test switch. Ceiling access is required to replace the EM unit.

PHOTOMETRIC DATA

6W - 18° NO LENS

Throw Distance	Center Beam fc	Beam Width
6 ft	156	1.9 ft
8 ft	88	2.6 ft
10 ft	56	3.3 ft
12 ft	39	3.9 ft
14 ft	29	4.6 ft
16 ft	22	5.3 ft
18 ft	17	5.9 ft
20 ft	14	6.6 ft

Delivered Lumens : 826 lm
Efficiency : 125 lm/W

6W - 25°

Throw Distance	Center Beam fc	Beam Width
6 ft	71	2.8 ft
8 ft	40	3.7 ft
10 ft	26	4.7 ft
12 ft	18	5.6 ft
14 ft	13	6.6 ft
16 ft	10	7.5 ft
18 ft	8	8.5 ft
20 ft	6	9.4 ft

Delivered Lumens : 768 lm
Efficiency : 116 lm/W

6W - 30°

Throw Distance	Center Beam fc	Beam Width
6 ft	67	3.2 ft
8 ft	38	4.2 ft
10 ft	24	5.3 ft
12 ft	17	6.4 ft
14 ft	12	7.4 ft
16 ft	9	8.5 ft
18 ft	7	9.6 ft
20 ft	6	10.6 ft

Delivered Lumens : 816 lm
Efficiency : 124 lm/W

6W - 40°

Throw Distance	Center Beam fc	Beam Width
6 ft	45	4.2 ft
8 ft	25	5.6 ft
10 ft	16	7.1 ft
12 ft	11	8.5 ft
14 ft	8	9.9 ft
16 ft	6	11.3 ft
18 ft	5	12.7 ft
20 ft	4	14.2 ft

Delivered Lumens : 817 lm
Efficiency : 124 lm/W

6W - 50°

Throw Distance	Center Beam fc	Beam Width
6 ft	25	5.7 ft
8 ft	14	7.6 ft
10 ft	9	9.5 ft
12 ft	6	11.4 ft
14 ft	5	13.3 ft
16 ft	3	15.2 ft
18 ft	3	17.1 ft
20 ft	2	19.0 ft

Delivered Lumens : 759 lm
Efficiency : 115 lm/W

6W - 80°

Throw Distance	Center Beam fc	Beam Width
6 ft	13	9.7 ft
8 ft	8	12.9 ft
10 ft	5	16.2 ft
12 ft	3	19.4 ft
14 ft	2	22.7 ft
16 ft	2	25.9 ft
18 ft	1	29.1 ft
20 ft	1	32.4 ft

Delivered Lumens : 738 lm
Efficiency : 112 lm/W

9W - 18° NO LENS

Throw Distance	Center Beam fc	Beam Width
6 ft	212	1.9 ft
8 ft	119	2.6 ft
10 ft	76	3.3 ft
12 ft	53	3.9 ft
14 ft	39	4.6 ft
16 ft	30	5.3 ft
18 ft	24	5.9 ft
20 ft	19	6.6 ft

Delivered Lumens : 1124 lm
Efficiency : 122 lm/W

9W - 25°

Throw Distance	Center Beam fc	Beam Width
6 ft	96	2.8 ft
8 ft	54	3.8 ft
10 ft	35	4.7 ft
12 ft	24	5.7 ft
14 ft	18	6.6 ft
16 ft	14	7.6 ft
18 ft	11	8.5 ft
20 ft	9	9.5 ft

Delivered Lumens : 1043 lm
Efficiency : 113 lm/W

9W - 30°

Throw Distance	Center Beam fc	Beam Width
6 ft	91	3.2 ft
8 ft	51	4.2 ft
10 ft	33	5.3 ft
12 ft	23	6.4 ft
14 ft	17	7.4 ft
16 ft	13	8.5 ft
18 ft	10	9.6 ft
20 ft	8	10.6 ft

Delivered Lumens : 1112 lm
Efficiency : 121 lm/W

9W - 40°

Throw Distance	Center Beam fc	Beam Width
6 ft	59	4.2 ft
8 ft	33	5.6 ft
10 ft	21	7.1 ft
12 ft	15	8.5 ft
14 ft	11	9.9 ft
16 ft	8	11.3 ft
18 ft	7	12.8 ft
20 ft	5	14.2 ft

Delivered Lumens : 1111 lm
Efficiency : 121 lm/W

9W - 50°

Throw Distance	Center Beam fc	Beam Width
6 ft	34	5.7 ft
8 ft	19	7.6 ft
10 ft	12	9.5 ft
12 ft	8	11.4 ft
14 ft	6	13.3 ft
16 ft	5	15.2 ft
18 ft	4	17.1 ft
20 ft	3	19.0 ft

Delivered Lumens : 1035 lm
Efficiency : 113 lm/W

9W - 80°

Throw Distance	Center Beam fc	Beam Width
6 ft	18	9.7 ft
8 ft	10	12.9 ft
10 ft	7	16.2 ft
12 ft	5	19.4 ft
14 ft	3	22.7 ft
16 ft	3	25.9 ft
18 ft	2	29.1 ft
20 ft	2	32.4 ft

Delivered Lumens : 1005 lm
Efficiency : 109 lm/W

12W - 18° NO LENS

Throw Distance	Center Beam fc	Beam Width
6 ft	265	1.9 ft
8 ft	149	2.6 ft
10 ft	95	3.3 ft
12 ft	66	3.9 ft
14 ft	49	4.6 ft
16 ft	37	5.3 ft
18 ft	29	5.9 ft
20 ft	24	6.6 ft

Delivered Lumens : 1406 lm
Efficiency : 117 lm/W

12W - 25°

Throw Distance	Center Beam fc	Beam Width
6 ft	121	2.8 ft
8 ft	68	3.8 ft
10 ft	43	4.7 ft
12 ft	30	5.7 ft
14 ft	22	6.6 ft
16 ft	17	7.6 ft
18 ft	13	8.5 ft
20 ft	11	9.5 ft

Delivered Lumens : 1316 lm
Efficiency : 110 lm/W

12W - 30°

Throw Distance	Center Beam fc	Beam Width
6 ft	113	3.1 ft
8 ft	64	4.2 ft
10 ft	41	5.3 ft
12 ft	28	6.3 ft
14 ft	21	7.4 ft
16 ft	16	8.5 ft
18 ft	13	9.5 ft
20 ft	10	10.6 ft

Delivered Lumens : 1388 lm
Efficiency : 116 lm/W

12W - 40°

Throw Distance	Center Beam fc	Beam Width
6 ft	74	4.2 ft
8 ft	42	5.7 ft
10 ft	27	7.1 ft
12 ft	19	8.5 ft
14 ft	14	9.9 ft
16 ft	10	11.4 ft
18 ft	8	12.8 ft
20 ft	7	14.2 ft

Delivered Lumens : 1396 lm
Efficiency : 116 lm/W

12W - 50°

Throw Distance	Center Beam fc	Beam Width
6 ft	43	5.7 ft
8 ft	24	7.6 ft
10 ft	15	9.5 ft
12 ft	11	11.4 ft
14 ft	8	13.3 ft
16 ft	6	15.2 ft
18 ft	5	17.1 ft
20 ft	4	19.0 ft

Delivered Lumens : 1305 lm
Efficiency : 109 lm/W

12W - 80°

Throw Distance	Center Beam fc	Beam Width
6 ft	23	9.7 ft
8 ft	13	12.9 ft
10 ft	8	16.2 ft
12 ft	6	19.4 ft
14 ft	4	22.7 ft
16 ft	3	25.9 ft
18 ft	3	29.1 ft
20 ft	2	32.4 ft

Delivered Lumens : 1268 lm
Efficiency : 106 lm/W

15W - 18° NO LENS

Throw Distance	Center Beam fc	Beam Width
6 ft	322	1.9 ft
8 ft	181	2.6 ft
10 ft	116	3.3 ft
12 ft	81	3.9 ft
14 ft	59	4.6 ft
16 ft	45	5.3 ft
18 ft	36	5.9 ft
20 ft	29	6.6 ft

Delivered Lumens : 1713 lm
Efficiency : 112 lm/W

15W - 25°

Throw Distance	Center Beam fc	Beam Width
6 ft	131	3.0 ft
8 ft	73	4.0 ft
10 ft	47	5.0 ft
12 ft	33	6.0 ft
14 ft	24	7.0 ft
16 ft	18	8.0 ft
18 ft	15	9.0 ft
20 ft	12	10.0 ft

Delivered Lumens : 1604 lm
Efficiency : 105 lm/W

15W - 30°

Throw Distance	Center Beam fc	Beam Width
6 ft	120	3.4 ft
8 ft	67	4.5 ft
10 ft	43	5.6 ft
12 ft	28	6.8 ft
14 ft	22	7.9 ft
16 ft	17	9.1 ft
18 ft	13	10.2 ft
20 ft	11	11.3 ft

Delivered Lumens : 1699 lm
Efficiency : 111 lm/W

15W - 40°

Throw Distance	Center Beam fc	Beam Width
6 ft	82	4.4 ft
8 ft	46	5.9 ft
10 ft	29	7.4 ft
12 ft	20	8.8 ft
14 ft	15	10.3 ft
16 ft	11	11.8 ft
18 ft	9	13.3 ft
20 ft	7	14.8 ft

Delivered Lumens : 1692 lm
Efficiency : 111 lm/W

15W - 50°

Throw Distance	Center Beam fc	Beam Width
6 ft	53	5.7 ft
8 ft	30	7.6 ft
10 ft	19	9.5 ft
12 ft	13	11.4 ft
14 ft	10	13.3 ft
16 ft	7	15.2 ft
18 ft	6	17.1 ft
20 ft	5	19.0 ft

Delivered Lumens : 1612 lm
Efficiency : 105 lm/W

15W - 80°

Throw Distance	Center Beam fc	Beam Width
6 ft	28	9.6 ft
8 ft	16	12.8 ft
10 ft	10	16.0 ft
12 ft	7	19.2 ft
14 ft	5	22.4 ft
16 ft	4	25.6 ft
18 ft	3	28.8 ft
20 ft	2	32.0 ft

Delivered Lumens : 1511 lm
Efficiency : 99 lm/W