

2" LED ARCHITECTURAL ROUND FLANGE ADJUSTABLE WARM DIM NEW CONSTRUCTION: IC & NON IC



WARM DIM

GENERAL INFORMATION

USE OF PRODUCT

The 2" Prime Adjustable Warm Dim is a small aperture fixture with a shallow housing height of 4 3/4", which is ideal for residential and commercial applications. Available options include die-cast or spun aluminum trims, various optics, and dimmable drivers. Warm Dim color temperature gradually transitions from 3000K to 1800K simulating natural sunsets.

LED ENGINE

LED engine available with Warm Dim standard 90+ CRI. 2-step MacAdam ellipse allows for color consistency between fixtures. The LED is mounted to an aluminum heat sink for maximum life output and thermal management. Light engine provides a quick disconnect with locking strain relief to housing.

OPTICAL LENS

Field replaceable optical lenses are available in 17°, 35°, 40°, 50°, and 55°. Easily achieve narrow spot to wide flood beam pattern.

FRAME CONSTRUCTION

IC and Non-IC rated housing are constructed from a 16-gauge heavy-duty, powder-coated cold-rolled steel frame and includes a junction box with 1/2" knockouts. Butterfly brackets (included) accommodate universal or C-channel hangers (order separately).

ADJUSTMENT

- Light engine allows for hot aiming from 0-40°.
- Housing supports 359° locking rotation.
- Aperture collar compatible up to 1 1/2" ceiling thickness. Consult factory for made-to-order aperture collars exceeding 1 1/2".

DIMMING

Available in six driver selections. (ID) Standard all-inclusive ELV (120V), Triac (120V), and 0-10V (120-277V) dimming driver called Intelligent Drive. (EIS) eldoLED 1% Dim 0-10V (120-277V), Triac (120V), Max 20W. (EDIO) eldoLED 0.1% Dim (0-10V), 120-277V. (EDID) eldoLED 0.1% Dim (DALI), (EDD) eldoLED 1% Dim (DALI2), (PEQ0) Lutron Hi-Lume Premier Ecosystem 0.1% with Soft-on, Fade-to-Black Dimming. Drivers are accessible from below the ceiling.

BEVEL

Flange trims available in die-cast and includes standard frosted acrylic diffuser. Remove standard frosted acrylic diffuser in field for 7% lumens increase. Consult factory for made-to-order finishes. Wet location for bathrooms and showers with standard lens on trim.

EMERGENCY BATTERY

Optional Emergency Battery (EM) available in 4W (≈400 lm), 8W (≈800 lm), or 15W (≈1,500 lm) available for a minimum of 90 minutes. Please review page 5 for integral or remote EM and test switch options with solutions that allow for EM replacement from below the ceiling.

LABELS/COMPLIANCE/WARRANTY

- CSA listed for US and Canada
- Dry/Damp/Wet location rated
- Chicago Plenum with IC Housing
- 5-year limited warranty

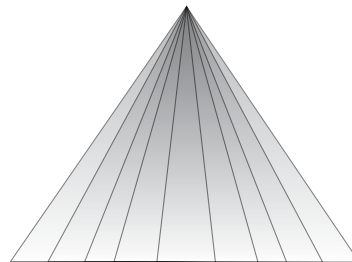


GENERAL PERFORMANCE CHART

| WATTS | LUMENS | VOLTAGE | CRI |
|-------|---------|----------|-----|
| 6W | 450 lm | 120-277V | 90+ |
| 9W | 640 lm | 120-277V | 90+ |
| 12W | 850 lm | 120-277V | 90+ |
| 15W | 1030 lm | 120-277V | 90+ |

Ordering information and IES File name reflect delivered lumens based on 3000K with 30° optical lens. Lumens will vary based on CCT, optical lens, and bevel finish.

BEAM SPREAD



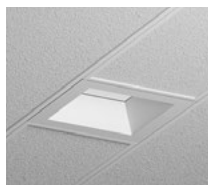
Available optics: 17° 35° 40° 50° 55°

- Field replaceable TIR optics
- Easily achieve narrow spot to wide flood beam pattern
- Optional filters available upon request

PRIME FAMILY OF PRODUCTS



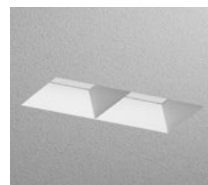
Downlight



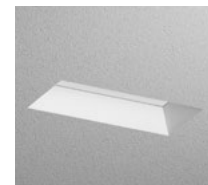
TechZone®



WoodWorks®



Multiple Dedicated Bevel



Multiple Open Bevel



Cylinder



Square Luminaire

2" LED ARCHITECTURAL ROUND FLANGE ADJUSTABLE WARM DIM NEW CONSTRUCTION: IC & NON IC

ORDERING INFORMATION

| Series | Wattage | Dimming | Color Temperature | Optical Lens | Filter | Housing Type |
|--------|--|---|----------------------|---|---|--|
| RPA2 | 6W - 6 Watt 9W - 9 Watt 12W - 12 Watt 15W - 15 Watt | ID¹ - Standard All-Inclusive ELV(120V), Triac(120V), and 0-10V(120-277V) Dimming Driver (Intelligent Drive) EEIS² - eldoLED 1% Dim 0-10V (120-127V), Triac (120V) EDIO³ - eldoLED 0.1% Dim (0-10V) EDID³ - eldoLED 0.1% Dim (DALI) EDD³ - eldoLED 1% Dim (DALI2) PEQO - Lutron Hi-Lume Premier Ecosystem 0.1% with Soft-on, Fade-to-Black Dimming | WD - Warm Dim | 17⁴ - 17° 35 - 35° 40 - 40° 50 - 50° 55 - 55° | Blank - None F - Frosted Filter H - Honey Comb S - Solite Filter L - Linear Filter | IC - IC Air-Tight New Construction NC - Non-IC New Construction |

| Collar | Module Type | Frame Accessories | Options |
|--|-------------------------|---|---|
| CR10 - 1.0" Depth CR15 - 1.5" Depth MTO - Made To Order | AMH - Adjustable | UH - Universal Bar Hanger C - C-Channel Bar Hanger | ER4W⁵ - Emergency Battery with Remote test switch (400 lm) ER8W⁶ - Emergency Battery with Remote test switch (800 lm) ER15W⁶ - Emergency Battery with Remote test switch (1,500 lm) 347V - 347V Step down transformer CP⁷ - Chicago Plenum |

TRIM ORDERING INFORMATION

DIE-CAST

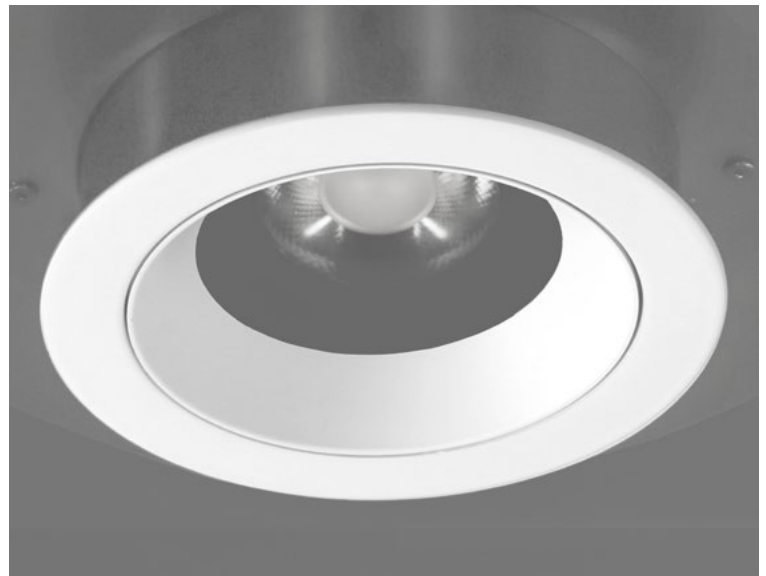
| Bevel / Flange Finish | Trim Type | Bevel | Flange | Notes |
|--------------------------|--|---|--|---|
| May be mixed and matched | 2" Round Flange Open 2RFO-CL 2RFO-CL 2RFO-CL 2RFO-CL 2RFO-CL | W - White B - Black H - Haze BZ - Bronze MTO - Made To Order | W - White B - Black BZ - Bronze MTO - Made To Order | 1. Intelligent Drive is the standard driver. 2. Programmable only in linear mode. 3. Must specify logarithmic or linear eldoLED driver. 4. 17° spread without lens on trim. 5. Available in IC housing only. 6. Ceiling access is required for IC housing to replace the EM unit. 7. Requires IC housing. |
| | 2" Round Flange Accent 2RFA-CL 2RFA-CL 2RFA-CL 2RFA-CL 2RFA-CL | W - White B - Black H - Haze BZ - Bronze MTO - Made To Order | W - White B - Black BZ - Bronze MTO - Made To Order | |

DIFFUSED LENS



- Listed IES files are with diffused lens

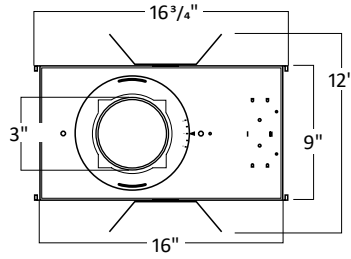
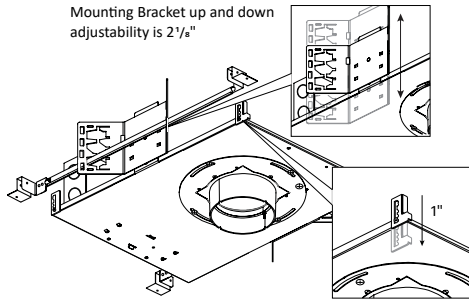
OPTIONAL FIELD REMOVABLE LENS



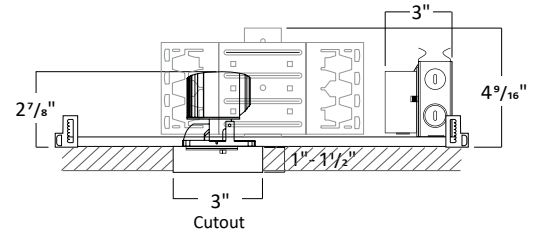
- Not suitable for wet locations
- Increase in lumens by approximately 7%

2" LED ARCHITECTURAL ROUND FLANGE ADJUSTABLE WARM DIM NEW CONSTRUCTION: IC & NON IC

NON-IC HOUSING DIMENSIONS

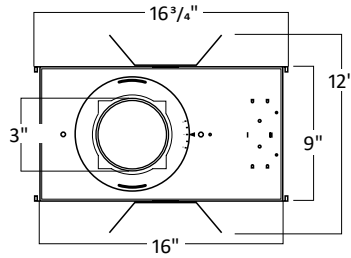
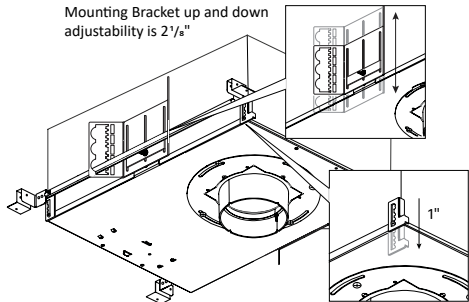


Universal bar hanger mounts on the length or width side of the fixture;
Ceiling mount bracket provides 1" adjustability.

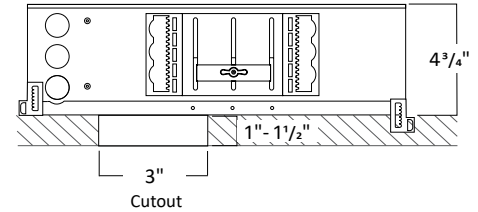


1. Must remove spacer to achieve 1 1/2" collar height
2. Consult factory for Made to Order collar height
3. Allow 1/8" tolerance

IC HOUSING DIMENSIONS



Universal bar hanger mounts on the length or width side of the fixture;
Ceiling mount bracket provides 1" adjustability.



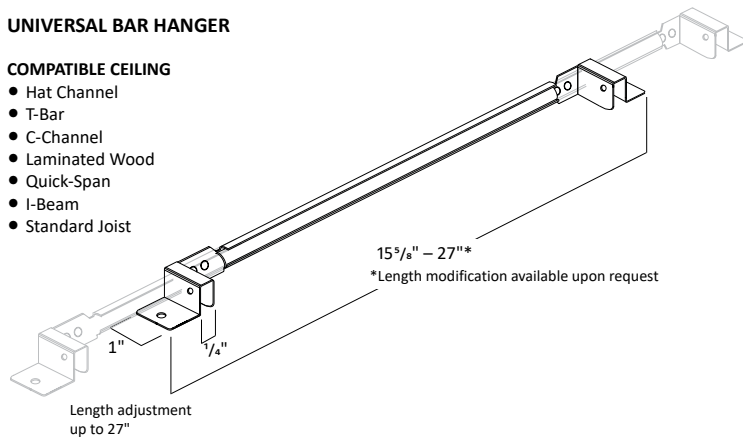
1. Must remove spacer to achieve 1 1/2" collar height
2. Consult factory for Made to Order collar height
3. Allow 1/8" tolerance

FRAME ACCESSORIES

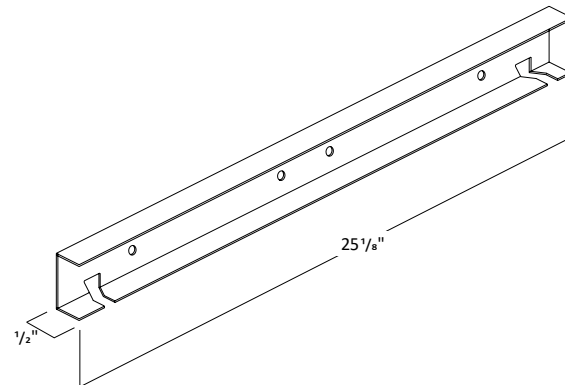
UNIVERSAL BAR HANGER

COMPATIBLE CEILING

- Hat Channel
- T-Bar
- C-Channel
- Laminated Wood
- Quick-Span
- I-Beam
- Standard Joist

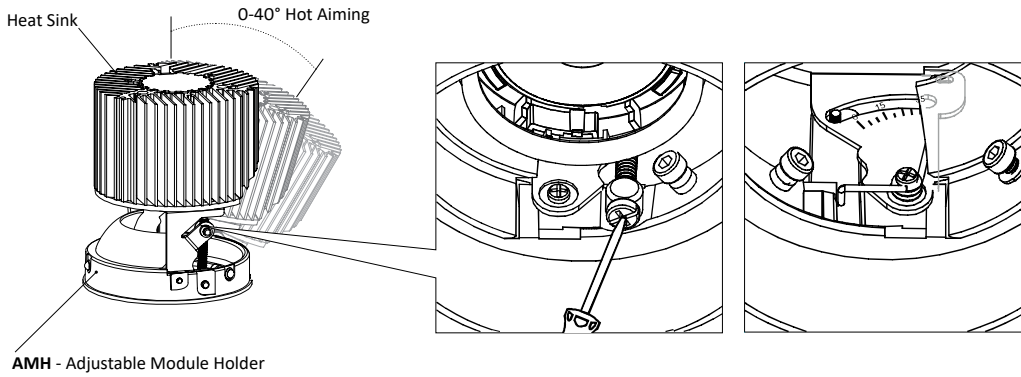


C-CHANNEL BAR HANGER

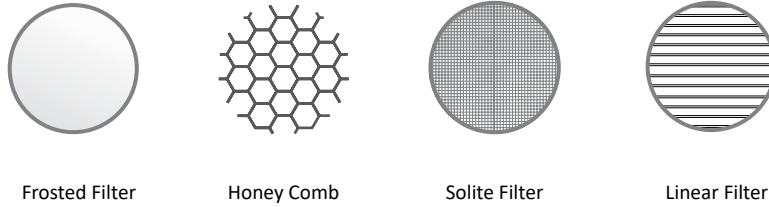


2" LED ARCHITECTURAL ROUND FLANGE ADJUSTABLE WARM DIM NEW CONSTRUCTION: IC & NON IC

MODULE DIMENSIONS

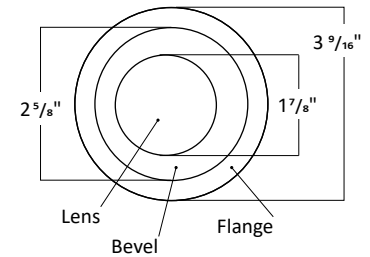
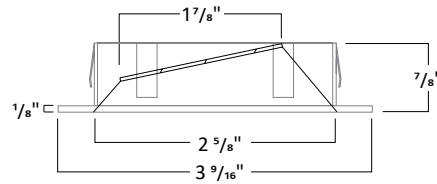
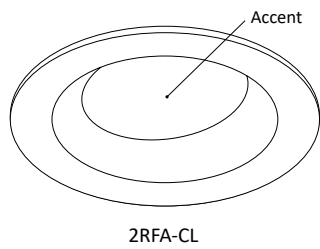
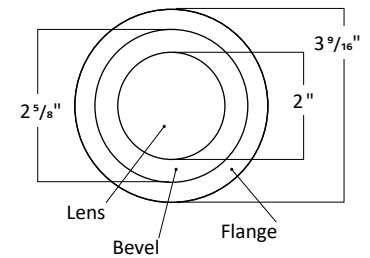
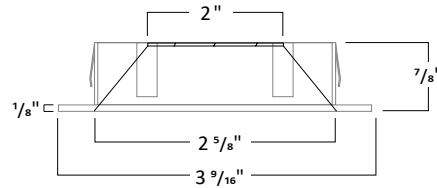
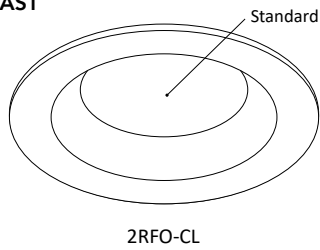


FILTERS



TRIM DIMENSIONS

DIE-CAST



TRIM FINISH

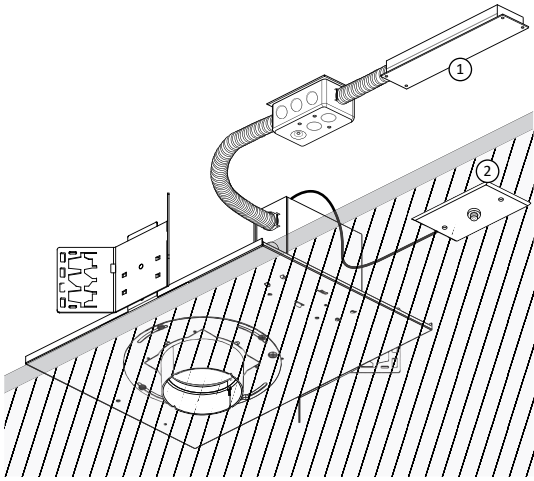
May be mixed and matched



*Consult Factory for Made to Order Finishes

2" LED ARCHITECTURAL ROUND FLANGE ADJUSTABLE WARM DIM
 NEW CONSTRUCTION: IC & NON IC

REMOTE EMERGENCY BATTERY: NON-IC NEW CONSTRUCTION HOUSING

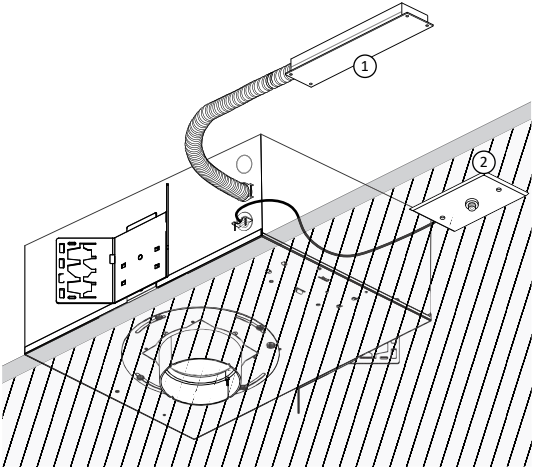


NC - Non-IC New Construction

ER8W and **ER15W** is an 8W and 15W Emergency Battery that is remote to the fixture with a remote test switch. The EM unit is accessible from below the ceiling for replacement purposes.

1. Remote Emergency Battery
2. Remote Test Switch

REMOTE EMERGENCY BATTERY: IC NEW CONSTRUCTION HOUSING

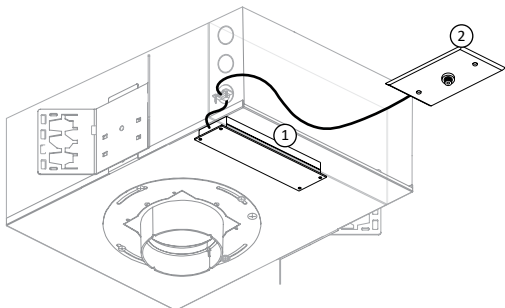


IC - IC Air-Tight New Construction

ER8W and **ER15W** is an 8W and 15W Emergency Battery that is remote to the fixture with a remote test switch. Ceiling access is required for replacement purposes

1. Remote Emergency Battery
2. Remote Test Switch

INTEGRAL EMERGENCY BATTERY: IC NEW CONSTRUCTION HOUSING



IC - IC Air-Tight New Construction

ER4W is an 4W Emergency Battery that is integral to the fixture with an remote test switch. The EM unit is accessible from below the ceiling for replacement purposes.

*Available in IC housing only

1. Integral Emergency Battery
2. Remote Test Switch