



WARM DIM

### GENERAL INFORMATION

#### USE OF PRODUCT

The 2" Prime Downlight with Warm Dim is a small aperture fixture with a shallow housing height of 4 3/8", which is ideal for residential and commercial applications. Available options include die-cast or spun aluminum trims, various optics, and dimmable drivers. Warm Dim color temperature gradually transitions from 3000K to 1800K simulating natural sunsets.

#### LED ENGINE

LED engine available with Warm Dim standard 90+ CRI. 2-step MacAdam ellipse allows for color consistency between fixtures. The LED is mounted to an aluminum heat sink for maximum life output and thermal management. Light engine provides a quick disconnect with locking strain relief to housing.

#### FRAME CONSTRUCTION

IC and Non-IC rated housing are constructed from a 16-gauge heavy-duty, powder-coated cold-rolled steel frame and includes a junction box with 1/2" knockouts. Butterfly brackets (included) accommodate universal or C-channel hangers (order separately).

#### ADJUSTMENT

- Housing supports 359° locking rotation.  
 - Aperture collar compatible up to 1 1/2" ceiling thickness.  
 Consult factory for made-to-order aperture collars exceeding 1 1/2".

#### OPTICAL LENS

Field replaceable optical lenses are available in 12°, 30°, 35°, 40°, 45°, and 50°. Easily achieve narrow spot to wide flood beam pattern.

#### DIMMING

Available in six driver selections. (ID) Standard all-inclusive ELV (120V), Triac (120V), and 0-10V (120-277V) dimming driver called Intelligent Drive. (EIS) eldoLED 1% Dim 0-10V (120-277V), Triac (120V), Max 20W. (EDIO) eldoLED 0.1% Dim (0-10V), 120-277V. (EDID) eldoLED 0.1% Dim (DALI), (EDD) eldoLED 1% Dim (DALI2), (PEQ0) Lutron Hi-Lume Premier Ecosystem 0.1% with Soft-on, Fade-to-Black Dimming. Drivers are accessible from below the ceiling.

#### BEVEL

Bevel includes standard frosted acrylic diffuser. Remove standard frosted acrylic diffuser in field for 7% lumens increase. Consult factory for made-to-order finishes. Wet location for bathrooms and showers with standard lens on trim.

#### EMERGENCY BATTERY

Optional Emergency Battery (EM) available in 4W (≈400 lm), 8W (≈800 lm), or 15W (≈1,500 lm) available for a minimum of 90 minutes. Please review page 5 for integral or remote EM and test switch options with solutions that allow for EM replacement from below the ceiling.

#### LABELS/COMPLIANCE/WARRANTY

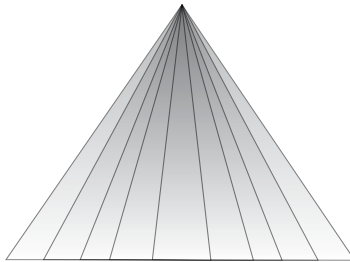
- CSA listed for US and Canada
- Dry/Damp/Wet location rated
- Chicago Plenum with IC Housing
- 5-year limited warranty
- Dry/Damp/Wet location rated.
- State of California Title 24 and JA8 compliant.
- 5-year limited warranty.

### GENERAL PERFORMANCE CHART

WATTS	LUMENS	VOLTAGE	CRI
6W	500 lm	120-277V	90+
9W	700 lm	120-277V	90+
12W	950 lm	120-277V	90+
15W	1150 lm	120-277V	90+

Ordering information and IES File name reflect delivered lumens based on 3000K with 30° optical lens. Lumens will vary based on CCT, optical lens, and bevel finish.

### BEAM SPREAD



Available optics: 12° 30° 35° 40° 50°

- Field replaceable TIR optics
- Easily achieve narrow spot to wide flood beam pattern
- Optional filters available upon request

### PRIME FAMILY OF PRODUCTS



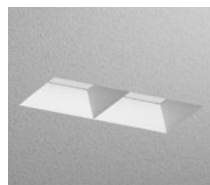
Downlight



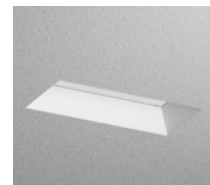
TechZone®



WoodWorks®



Multiple Dedicated Bevel



Multiple Open Bevel



Cylinder



Square Luminaire

## 2" LED ARCHITECTURAL ROUND FLANGELESS DOWNLIGHT WITH WARM DIM

### ORDERING INFORMATION

Series	Wattage	Dimming	Color Temperature	Optical Lens	Filter	Housing Type
RPA2	6W - 6 Watt 9W - 9 Watt 12W - 12 Watt 15W - 15 Watt	ID <sup>1</sup> - Standard All-Inclusive ELV(120V), Triac(120V), and 0-10V(120-277V) Dimming Driver (Intelligent Drive) EES <sup>2</sup> - eldoLED 1% Dim 0-10V (120-127V), Triac (120V) EDIO <sup>3</sup> - eldoLED 0.1% Dim (0-10V) EDID <sup>3</sup> - eldoLED 0.1% Dim (DALI) EDD <sup>3</sup> - eldoLED 1% Dim (DALI2) PEQ0 - Lutron Hi-Lume Premier Ecosystem 0.1% with Soft-on, Fade-to-Black Dimming	WD - Warm Dim	12 <sup>4</sup> - 12° 30 - 30° 35- 35° 40 - 45° 50 - 50°	Blank - None F - Frosted Filter H - Honey Comb S - Solite Filter L - Linear Filter	IC - IC Air-Tight New Construction NC - Non-IC New Construction

Collar	Module Type	Trim Style	Frame Accessories	Options
CR10 - 1.0" Depth CR15 - 1.5" Depth MTO - Made To Order	FMH - Downlight	LPR - Flangeless Plaster LDMR - Flangeless Millwork with Dedicated Collar	UH - Universal Bar Hanger C - C-Channel Bar Hanger	ER4W <sup>5</sup> - Emergency Battery with Remote test switch (400 lm) ER8W <sup>6</sup> - Emergency Battery with Remote test switch (800 lm) ER15W <sup>6</sup> - Emergency Battery with Remote test switch (1,500 lm) 347V - 347V Step down transformer CP <sup>7</sup> - Chicago Plenum

### DIE-CAST

Bevel Finish	Bevel	Finish	Notes
2" Round Flangeless Open	2RLO-CL 2RLO-CL 2RLO-CL 2RLO-CL 2RLO-CL 2RLO-CL	W - White B - Black H - Haze BZ - Bronze C - Clear MTO - Made To Order	<ol style="list-style-type: none"> <li>Intelligent Drive is the standard driver.</li> <li>Driver programmed only in linear mode.</li> <li>Must specify logarithmic or linear eldoLED diver.</li> <li>12° spread without lens on trim.</li> <li>Available in IC housing only.</li> <li>Ceiling access is required for IC housing to replace the EM unit.</li> <li>Requires IC housing.</li> </ol>

### DIFFUSED LENS



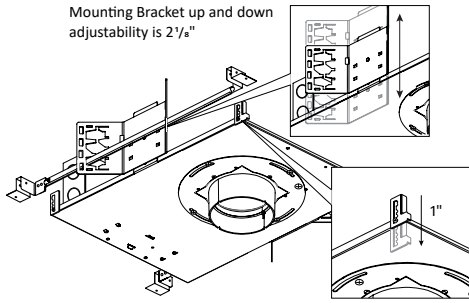
- Listed IES files are with diffused lens

### OPTIONAL FIELD REMOVABLE LENS



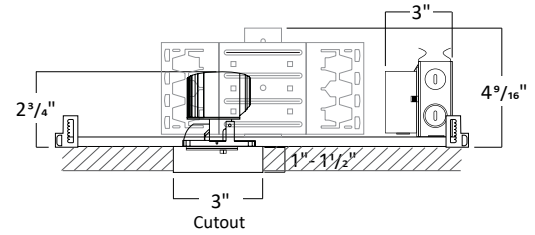
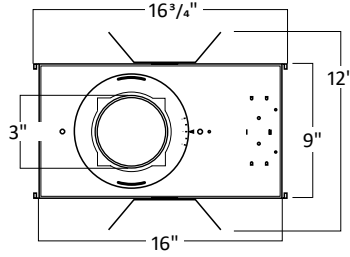
- Not suitable for wet locations
- Increase in lumens by approximately 7%

### NON-IC HOUSING DIMENSIONS



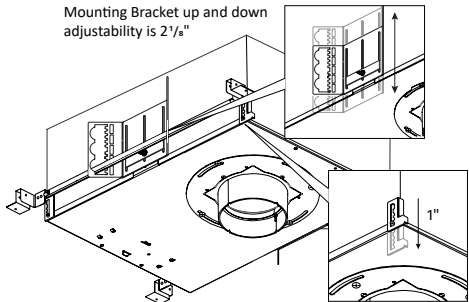
NC - Non-IC New Construction

Universal bar hanger mounts on the length or width side of the fixture; Ceiling mount bracket provides 1" adjustability.



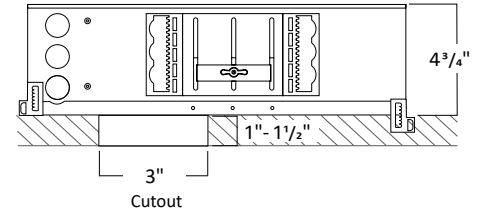
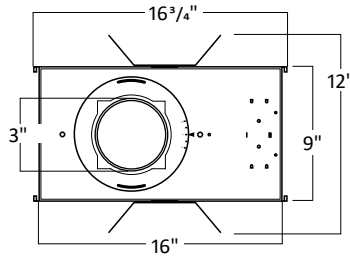
1. Must remove spacer to achieve 1/2" collar height
2. Consult factory for Made to Order collar height
3. Allow 1/8" tolerance

### IC HOUSING DIMENSIONS



IC - IC Air-Tight New Construction

Universal bar hanger mounts on the length or width side of the fixture; Ceiling mount bracket provides 1" adjustability.



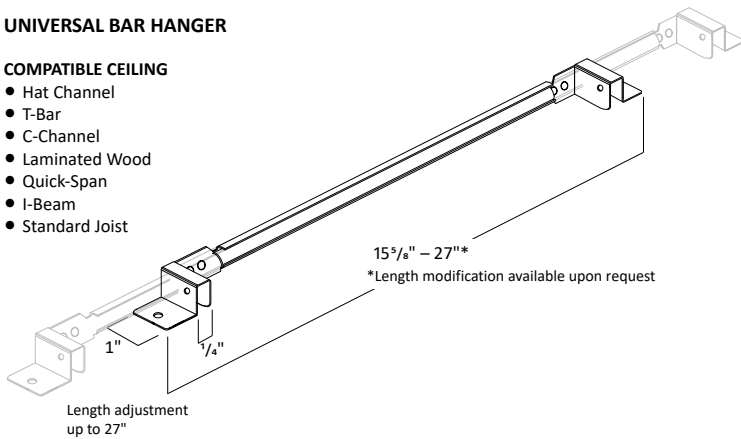
1. Must remove spacer to achieve 1/2" collar height
2. Consult factory for Made to Order collar height
3. Allow 1/8" tolerance

### FRAME ACCESSORIES

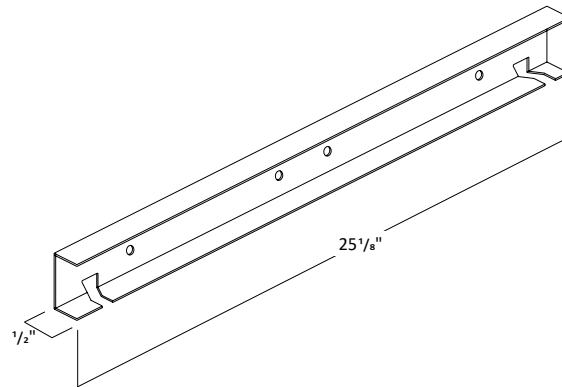
#### UNIVERSAL BAR HANGER

##### COMPATIBLE CEILING

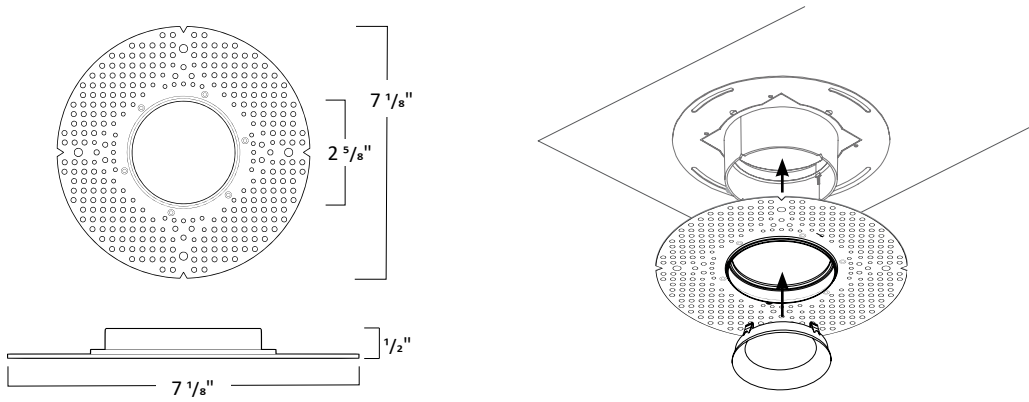
- Hat Channel
- T-Bar
- C-Channel
- Laminated Wood
- Quick-Span
- I-Beam
- Standard Joist



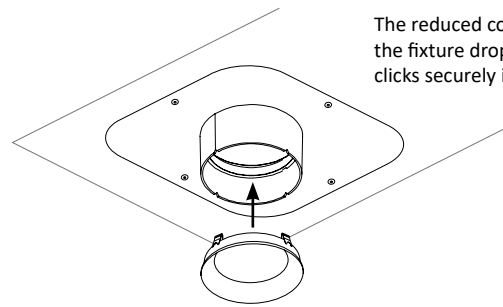
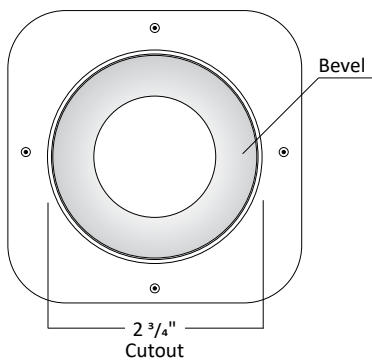
#### C-CHANNEL BAR HANGER



### FLANGELESS PLASTER (LPR)

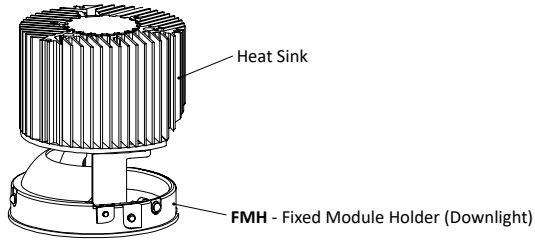


### FLANGELESS MILLWORK WITH DEDICATED COLLAR (LDMR)

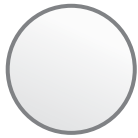


The reduced collar diameter allows for easy installation; the fixture drops into the ceiling opening and the bevel clicks securely into the collar.

## MODULE DIMENSIONS



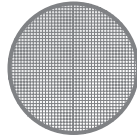
## FILTERS



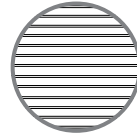
Frosted Filter



Honey Comb

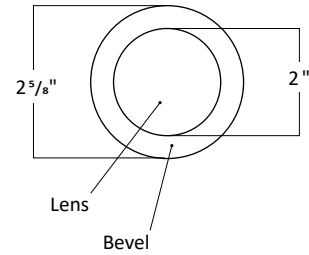
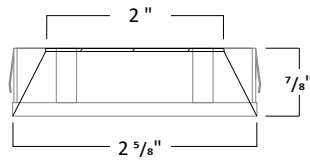
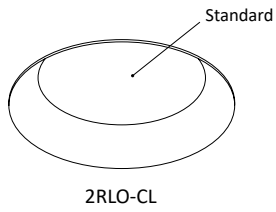


Solite Filter



Linear Filter

## TRIM DIMENSIONS



## TRIM FINISH



White



Black



Haze



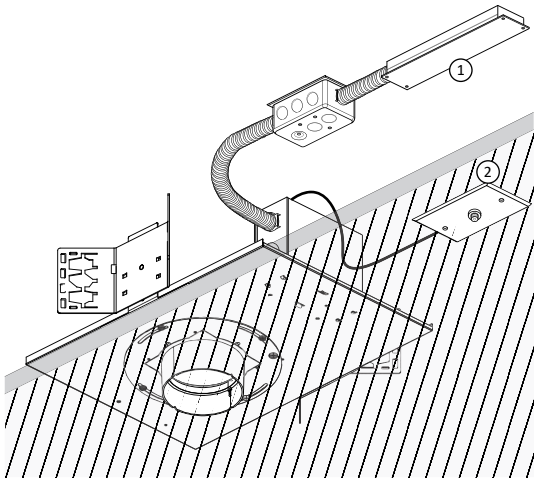
Bronze



Clear

\*Consult Factory for Made to Order Finishes

## REMOTE EMERGENCY BATTERY: NON-IC NEW CONSTRUCTION HOUSING

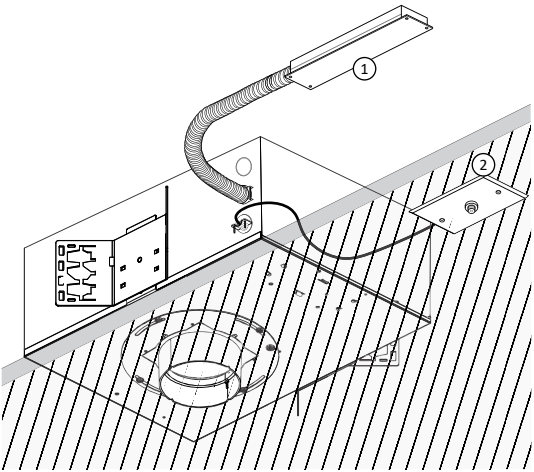


**NC** - Non-IC New Construction

**ER8W** and **ER15W** is an 8W and 15W Emergency Battery that is remote to the fixture with a remote test switch. The EM unit is accessible from below the ceiling for replacement purposes.

- 1. Remote Emergency Battery
- 2. Remote Test Switch

## REMOTE EMERGENCY BATTERY: IC NEW CONSTRUCTION HOUSING

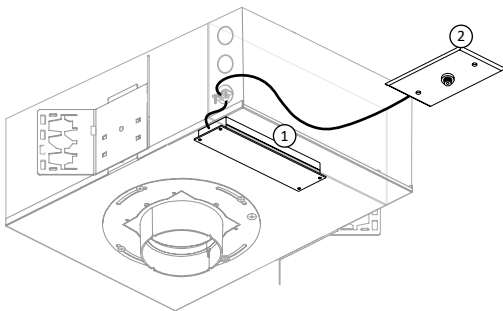


**IC** - IC Air-Tight New Construction

**ER8W** and **ER15W** is an 8W and 15W Emergency Battery that is remote to the fixture with a remote test switch. Ceiling access is required for replacement purposes

- 1. Remote Emergency Battery
- 2. Remote Test Switch

## INTEGRAL EMERGENCY BATTERY: IC NEW CONSTRUCTION HOUSING



**IC** - IC Air-Tight New Construction

**ER4W** is an 4W Emergency Battery that is integral to the fixture with an remote test switch. The EM unit is accessible from below the ceiling for replacement purposes.

\*Available in IC housing only

- 1. Integral Emergency Battery
- 2. Remote Test Switch