



WARM DIM

### GENERAL INFORMATION

#### USE OF PRODUCT

The 2" Prime Downlight with Warm Dim is a small aperture fixture with a shallow housing height of 4 3/8", which is ideal for residential and commercial applications. Available options include die-cast or spun aluminum trims, various optics, and dimmable drivers. Warm Dim color temperature gradually transitions from 3000K to 1800K simulating natural sunsets.

#### LED ENGINE

LED engine available with Warm Dim standard 90+ CRI. 2-step MacAdam ellipse allows for color consistency between fixtures. The LED is mounted to an aluminum heat sink for maximum life output and thermal management. Light engine provides a quick disconnect with locking strain relief to housing.

#### FRAME CONSTRUCTION

IC and Non-IC rated housing are constructed from a 16-gauge heavy-duty, powder-coated cold-rolled steel frame and includes a junction box with 1/2" knockouts. Butterfly brackets (included) accommodate universal or C-channel hangers (order separately).

#### ADJUSTMENT

- Housing supports 359° locking rotation.  
 - Aperture collar compatible up to 1 1/2" ceiling thickness.  
 Consult factory for made-to-order aperture collars exceeding 1 1/2".

#### OPTICAL LENS

Field replaceable optical lenses are available in 12°, 30°, 35°, 40°, 45°, and 50°. Easily achieve narrow spot to wide flood beam pattern.

#### DIMMING

Available in six driver selections. (ID) Standard all-inclusive ELV (120V), Triac (120V), and 0-10V (120-277V) dimming driver called Intelligent Drive. (EEIS) eldoLED 1% Dim 0-10V (120-277V), Triac (120V), Max 20W. (EDIO) eldoLED 0.1% Dim (0-10V), 120-277V. (EDID) eldoLED 0.1% Dim (DALI), (EDD) eldoLED 1% Dim (DALI2), (PEQ0) Lutron Hi-Lume Premier Ecosystem 0.1% with Soft-on, Fade-to-Black Dimming. Drivers are accessible from below the ceiling.

#### BEVEL

Bevel includes standard frosted acrylic diffuser. Remove standard frosted acrylic diffuser in field for 7% lumens increase. Consult factory for made-to-order finishes. Wet location for bathrooms and showers with standard lens on trim.

#### EMERGENCY BATTERY

Optional Emergency Battery (EM) available in 4W (≈400 lm), 8W (≈800 lm), or 15W (≈1,500 lm) available for a minimum of 90 minutes. Please review page 7 for integral or remote EM and test switch options with solutions that allow for EM replacement from below the ceiling.

#### LABELS/COMPLIANCE/WARRANTY

- CSA listed for US and Canada
- Dry/Damp/Wet location rated
- Chicago Plenum with IC Housing
- 5-year limited warranty
- Dry/Damp/Wet location rated.
- State of California Title 24 and JA8 compliant.
- 5-year limited warranty.

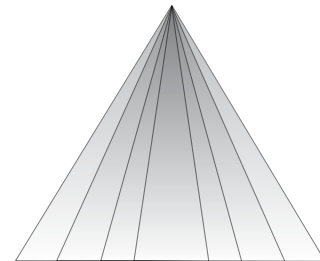
### GENERAL PERFORMANCE CHART

\*Detailed performance chart may be found on page 3

	6W	9W	12W	15W
Initial Lumens	597	847	1122	1360
Delivered Lumens	474-504	669-719	882-949	1047-1099

\* Values are listed at 3000K, 90+ CRI with a white bevel & trim.  
 Delivered lumens range based on beam spread.  
 Performance may vary +/- 5%

### BEAM SPREAD



Available optics: 30° 35° 40° 50°

- Field replaceable TIR optics
- Easily achieve narrow spot to wide flood beam pattern
- Optional filters available upon request

### PRIME FAMILY OF PRODUCTS



Downlight



TechZone®



WoodWorks®



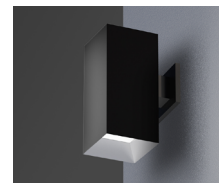
Multiple Dedicated Bevel



Multiple Open Bevel



Cylinder



Square Luminaire

## 2" LED ARCHITECTURAL ROUND FLANGELESS DOWNLIGHT WITH WARM DIM

### ORDERING INFORMATION

Series	Wattage	Dimming	Color Temperature	Optical Lens	Filter
RPA2	6W - 6 Watt 9W - 9 Watt 12W - 12 Watt 15W - 15 Watt	ID <sup>1</sup> - Standard All-Inclusive ELV(120V), Triac(120V), and 0-10V(120-277V) Dimming Driver (Intelligent Drive) EEIS <sup>2</sup> - eldoLED 1% Dim 0-10V (120-127V), Triac (120V) EDIO <sup>3</sup> - eldoLED 0.1% Dim (0-10V) EDID <sup>3</sup> - eldoLED 0.1% Dim (DALI) EDD <sup>3</sup> - eldoLED 1% Dim (DALI2) PEQ0 - Lutron Hi-Lume Premier Ecosystem 0.1% with Soft-on, Fade-to-Black Dimming	WD - Warm Dim	30 - 30° 35 - 35° 40 - 40° 50 - 50°	Blank - None F - Frosted Filter H - Honey Comb S - Solite Filter L - Linear Filter
Housing Type	Collar	Module Type	Trim Style	Frame Accessories	
IC - IC Air-Tight New Construction NC - Non-IC New Construction	CR10 - 1.0" Depth CR15 - 1.5" Depth MTO - Made To Order	FMH - Downlight	LPR - Flangeless Plaster LDMR - Flangeless Millwork with Dedicated Collar	UH - Universal Bar Hanger C - C-Channel Bar Hanger	

**Options**  
**ER4W<sup>4</sup>** - Emergency Battery with Remote test switch (400 lm)  
**ER8W<sup>5</sup>** - Emergency Battery with Remote test switch (800 lm)  
**ER15W<sup>5</sup>** - Emergency Battery with Remote test switch (1,500 lm)  
**347V** - 347V Step down transformer  
**CP<sup>6</sup>** - Chicago Plenum

**Wireless Controls**  
**AWN** - Athena Wireless (Lutron)  
**CLM** - Connected Lighting Module (Legrand Wattstopper)

- Notes**
- Intelligent Drive is the standard driver.
  - Driver programmed only in linear mode.
  - Must specify logarithmic or linear eldoLED driver.
  - Available in IC housing only.
  - Ceiling access is required for IC housing to replace the EM unit.
  - Requires IC housing.

### TRIM ORDERING INFORMATION

#### DIE-CAST

Bevel Finish	Bevel	Finish
2" Round Flangeless Regress Large Opening	2RLO-CL	W - White
	2RLO-CL	B - Black
	2RLO-CL	H - Haze
	2RLO-CL	BZ - Bronze
	2RLO-CL	C - Clear
	2RLO-CL	MTO - Made To Order

## PERFORMANCE CHART

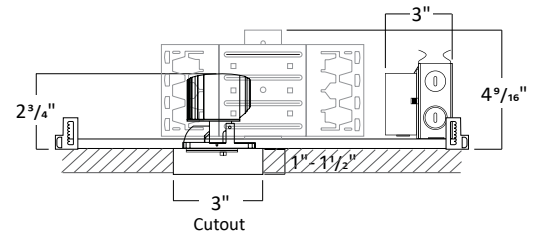
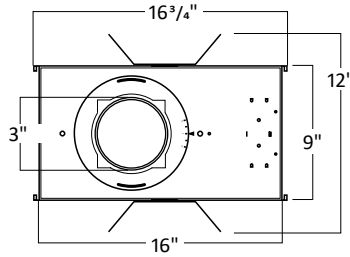
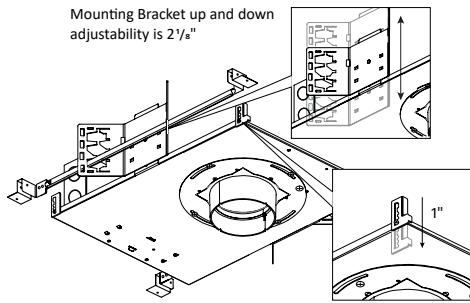
Optics		30°	35°	40°	50°
6W	Initial Lumens	597	597	597	597
	Delivered Lumens	476	504	502	474
9W	Initial Lumens	847	847	847	847
	Delivered Lumens	669	715	719	670
12W	Initial Lumens	1122	1122	1122	1122
	Delivered Lumens	872	944	949	882
15W	Initial Lumens	1360	1360	1360	1360
	Delivered Lumens	1047	1169	1091	1099

## 2RLO-CL REGRESS LARGE OPENING



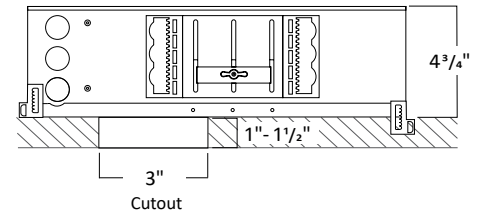
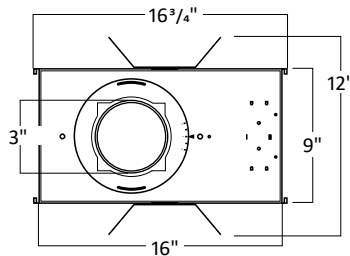
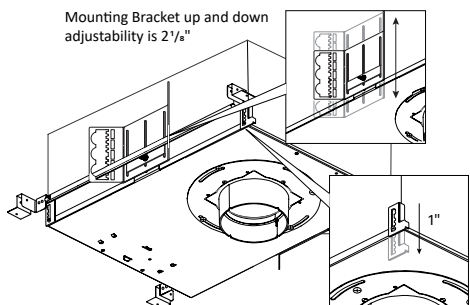
- IES files are based on the large opening trim with diffused lens.
- Not suitable for wet locations
- Increase in lumens by approximately 7%

### NON-IC HOUSING DIMENSIONS



1. Must remove spacer to achieve 1/2" collar height
2. Consult factory for Made to Order collar height
3. Allow 1/8" tolerance

### IC HOUSING DIMENSIONS



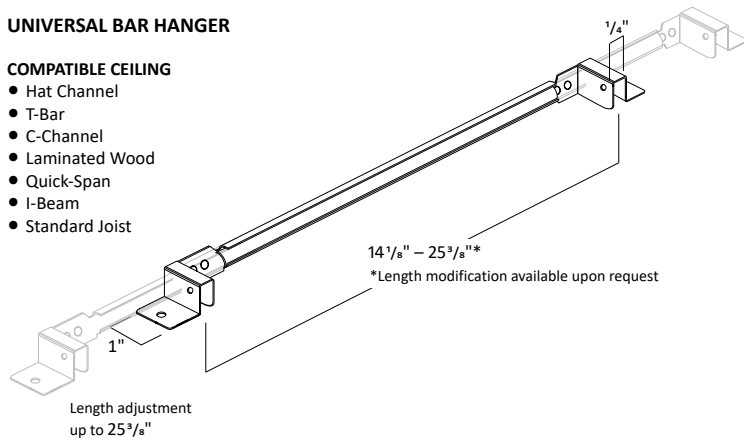
1. Must remove spacer to achieve 1/2" collar height
2. Consult factory for Made to Order collar height
3. Allow 1/8" tolerance

### FRAME ACCESSORIES

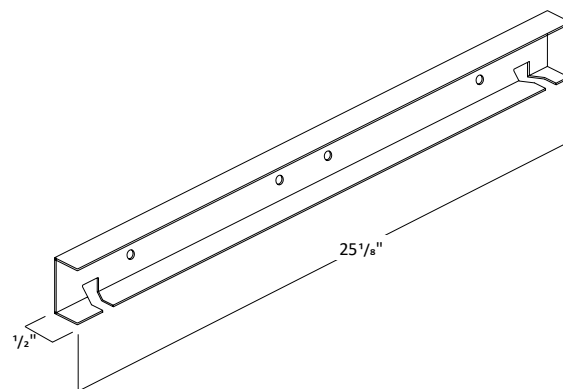
#### UNIVERSAL BAR HANGER

##### COMPATIBLE CEILING

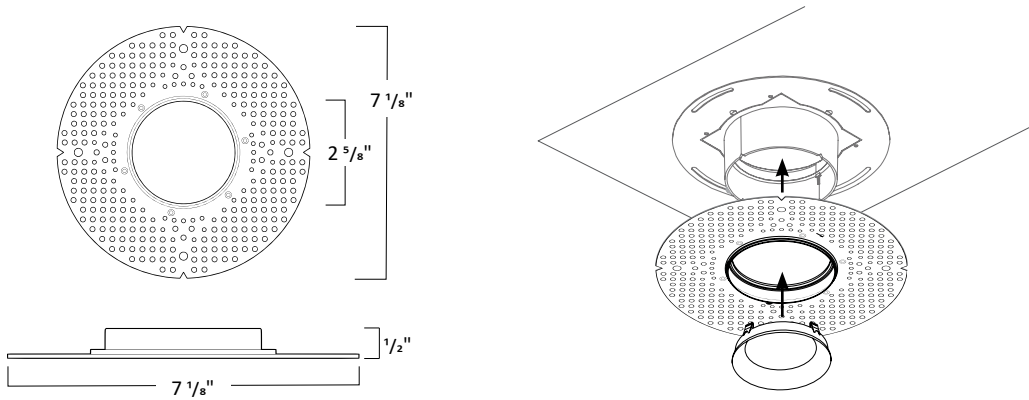
- Hat Channel
- T-Bar
- C-Channel
- Laminated Wood
- Quick-Span
- I-Beam
- Standard Joist



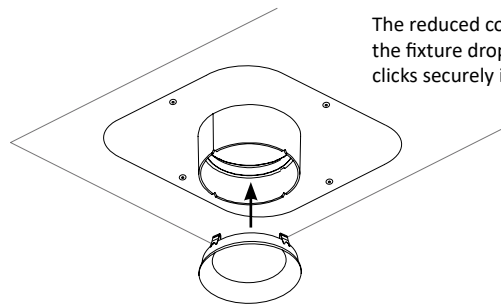
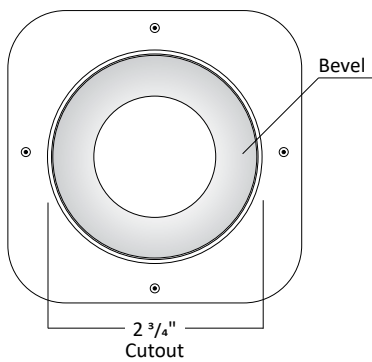
#### C-CHANNEL BAR HANGER



### FLANGELESS PLASTER (LPR)

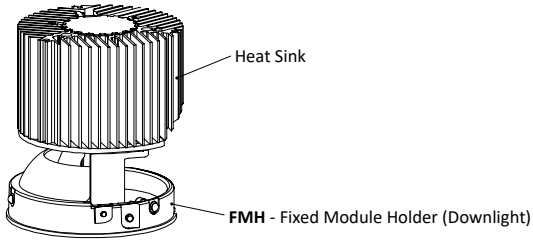


### FLANGELESS MILLWORK WITH DEDICATED COLLAR (LDMR)

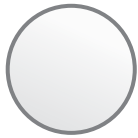


The reduced collar diameter allows for easy installation; the fixture drops into the ceiling opening and the bevel clicks securely into the collar.

## MODULE DIMENSIONS



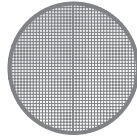
## FILTERS



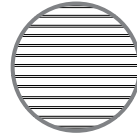
Frosted Filter



Honey Comb

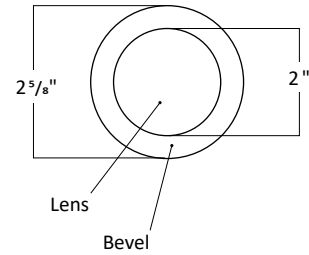
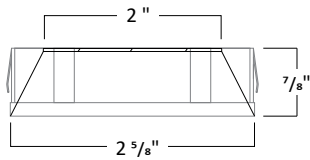
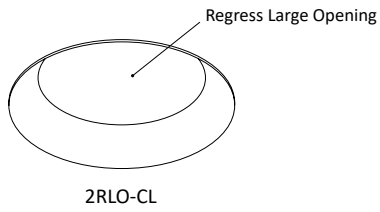


Solite Filter



Linear Filter

## TRIM DIMENSIONS



## TRIM FINISH



White



Black



Haze



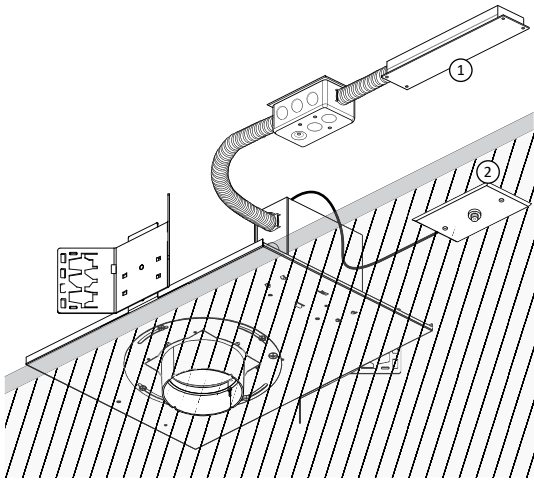
Bronze



Clear

\*Consult Factory for Made to Order Finishes

## REMOTE EMERGENCY BATTERY: NON-IC NEW CONSTRUCTION HOUSING

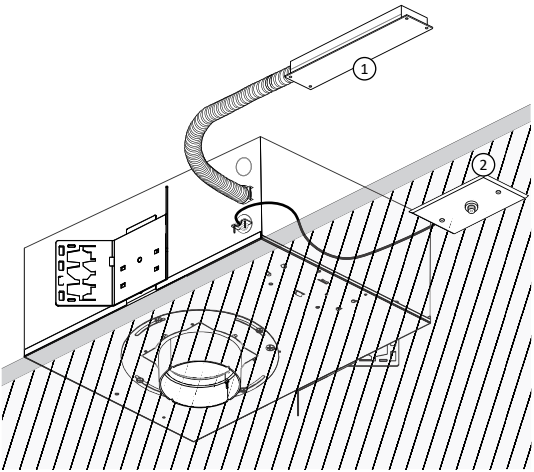


**NC** - Non-IC New Construction

**ER8W** and **ER15W** is an 8W and 15W Emergency Battery that is remote to the fixture with a remote test switch. The EM unit is accessible from below the ceiling for replacement purposes.

1. Remote Emergency Battery
2. Remote Test Switch

## REMOTE EMERGENCY BATTERY: IC NEW CONSTRUCTION HOUSING

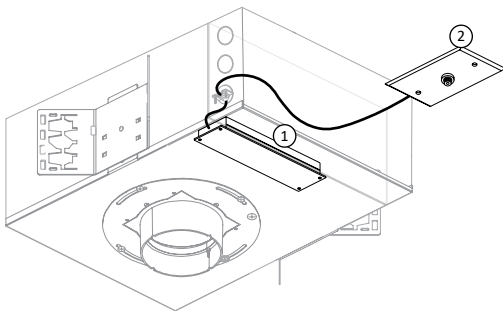


**IC** - IC Air-Tight New Construction

**ER8W** and **ER15W** is an 8W and 15W Emergency Battery that is remote to the fixture with a remote test switch. Ceiling access is required for replacement purposes

1. Remote Emergency Battery
2. Remote Test Switch

## INTEGRAL EMERGENCY BATTERY: IC NEW CONSTRUCTION HOUSING



**IC** - IC Air-Tight New Construction

**ER4W** is an 4W Emergency Battery that is integral to the fixture with an remote test switch. The EM unit is accessible from below the ceiling for replacement purposes.

\*Available in IC housing only

1. Integral Emergency Battery
2. Remote Test Switch