

## 2" LED ARCHITECTURAL ROUND FLANGELESS DOWNLIGHT NEW CONSTRUCTION: IC & NON IC



### GENERAL INFORMATION

#### USE OF PRODUCT

The 2" Prime Downlight is a small aperture fixture with shallow height that may be used in residential and commercial applications. Die cast trims, with an assortment of color temperatures, optics and dimmable drivers available.

#### LED ENGINE

LED engine available with CREE LEDs in 2700K, 3000K, 3500K, or 4000K in standard 93+ CRI. 2 Step MacAdam ellipse allows for color consistency between fixtures. LED mounted to aluminum heat sink for maximum life output and thermal management. LED engine is accessible from below ceiling.

#### OPTICAL LENS

Field replaceable optical lenses are available in 12°, 30°, 35°, 40°, and 50°. Easily achieve narrow spot to wide flood beam pattern.

#### THERMAL MANAGEMENT

Ambient temperatures at fixture location should not exceed -20° to 40°C.

#### FRAME CONSTRUCTION

IC and Non-IC rated housing are constructed from a 16-gauge heavy-duty, powder-coated cold-rolled steel frame and includes a junction box with ½" knockouts. Butterfly brackets (included) accommodate universal or C-channel hangers (order separately).

#### ADJUSTMENT

- Housing supports 359° locking rotation.
- Aperture collar compatible up to 1½" ceiling thickness. Consult factory for made-to-order aperture collars exceeding 1½".

#### DIMMING

Available in six driver selections. (ID) Standard all-inclusive ELV (120V), Triac (120V), and 0-10V (120-277V) dimming driver called Intelligent Drive. (EELS) eldoLED 1% Dim 0-10V (120-277V), Triac (120V), Max 20W. (EDIO) eldoLED 0.1% Dim (0-10V), 120-277V. (EDID) eldoLED 0.1% Dim (DALI), (EDD) eldoLED 1% Dim (DALI2), (PEQ0) Lutron Hi-Lume Premier Ecosystem 0.1% with Soft-on, Fade-to-Black Dimming. Drivers are accessible from below the ceiling.

#### BEVEL

Bevel includes standard frosted acrylic diffuser. Remove standard frosted acrylic diffuser in field for 7% lumens increase. Consult factory for made-to-order finishes. Wet location for bathrooms and showers with standard lens on trim.

#### EMERGENCY BATTERY

Optional Emergency Battery (EM) available in 4W (≈400 lm), 8W (≈800 lm), or 15W (≈1,500 lm) available for a minimum of 90 minutes. Please review page 8 for integral or remote EM and test switch options with solutions that allow for EM replacement from below the ceiling.

#### LABELS/COMPLIANCE/WARRANTY

- CSA listed for US and Canada
- Dry/Damp/Wet location rated
- Chicago Plenum with IC Housing
- 5-year limited warranty



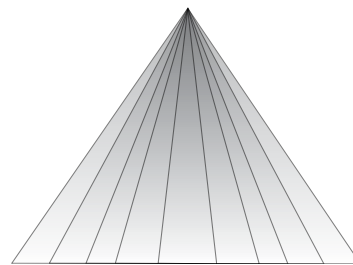
### GENERAL PERFORMANCE CHART

\*Detailed performance chart may be found on page 3

	6W	9W	12W	15W	20W
<b>Initial Lumens</b>	657/955	890/1296	1122/1618	1267/2015	1485/2422
<b>Delivered Lumens</b>	599-784	809-1074	969-1360	1094-1685	1284-2070

\* Values are listed at 3000K, 90+ CRI with a white bevel & trim.  
Delivered lumens range based on beam spread.  
Performance may vary +/- 5%

### BEAM SPREAD



Available optics: 13° 30° 35° 40° 50°

- Field replaceable TIR optics
- Easily achieve narrow spot to wide flood beam pattern
- Optional filters available upon request

### PRIME FAMILY OF PRODUCTS



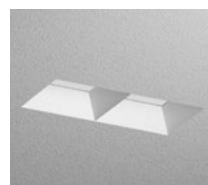
Downlight



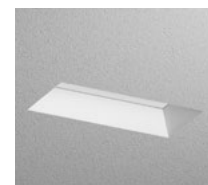
TechZone®



WoodWorks®



Multiple Dedicated Bevel



Multiple Open Bevel



Cylinder



Square Luminaire

## 2" LED ARCHITECTURAL ROUND FLANGELESS DOWNLIGHT NEW CONSTRUCTION: IC & NON IC

### ORDERING INFORMATION

Series	Wattage	Dimming	Color Temperature	Optical Lens	Filter	Housing Type
RPA2	6W - 6 Watt 9W - 9 Watt 12W - 12 Watt 15W - 15 Watt 20W - 20 Watt	ID <sup>1</sup> - Standard All-Inclusive ELV(120V), Triac(120V), and 0-10V(120-277V) Dimming Driver (Intelligent Drive) EEIS <sup>2</sup> - eldoLED 1% Dim 0-10V (120-127V), Triac (120V) EDIO <sup>3</sup> - eldoLED 0.1% Dim (0-10V) EDID <sup>3</sup> - eldoLED 0.1% Dim (DALI) EDD <sup>3</sup> - eldoLED 1% Dim (DALI2) PEQO - Lutron Hi-Lume Premier Ecosystem 0.1% with Soft-on, Fade-to-Black Dimming	27K - 2700K 30K - 3000K 35K - 3500K 40K - 4000K	12 <sup>4</sup> - 12° 30 - 30° 35 - 35° 40 - 40° 50 - 50°	Blank - None F - Frosted Filter H - Honey Comb S - Solite Filter L - Linear Filter	IC - IC Air-Tight New Construction NC - Non-IC New Construction

Collar	Module Type	Trim Style	Frame Accessories	Options
CR10 - 1.0" Depth CR15 - 1.5" Depth MTO - Made To Order	FMH - Downlight	LPR - Flangeless Plaster LAMR - Flangeless Millwork with Adapter LDMR - Flangeless Millwork with Dedicated Collar	UH - Universal Bar Hanger C - C-Channel Bar Hanger	ER4W <sup>5</sup> - Emergency Battery with Remote test switch (400 lm) ER8W <sup>6</sup> - Emergency Battery with Remote test switch (800 lm) ER15W <sup>6</sup> - Emergency Battery with Remote test switch (1,500 lm) 347V - 347V Step down transformer CP <sup>7</sup> - Chicago Plenum

### TRIM ORDERING INFORMATION

#### DIE-CAST

Bevel Finish	Bevel	Finish	Notes
2" Round Flangeless Open	2RLO-CL	W - White	<ol style="list-style-type: none"> <li>Intelligent Drive is the standard driver.</li> <li>Programmable only in linear mode.</li> <li>Must specify logarithmic or linear eldoLED diver.</li> <li>12" spread without lens on trim.</li> <li>Available in IC housing only.</li> <li>Ceiling access is required for IC housing to replace the EM unit.</li> <li>Requires IC housing.</li> </ol>
	2RLO-CL	B - Black	
	2RLO-CL	H - Haze	
	2RLO-CL	BZ - Bronze	
	2RLO-CL	C - Clear	
	2RLO-CL	MTO - Made To Order	

## 2" LED ARCHITECTURAL ROUND FLANGELESS DOWNLIGHT NEW CONSTRUCTION: IC & NON IC

### PERFORMANCE CHART

Optics		<sup>1</sup> 12°	30°	35°	40°	50°
<b>6W</b>	Initial Lumens	657	955	955	955	955
	Delivered Lumens	599	730	784	774	745
	UGR		16.6	14.9	18	19.3
<b>9W</b>	Initial Lumens	890	1296	1296	1296	1296
	Delivered Lumens	809	995	1074	1065	1014
	UGR		17.7	16	19.2	20.3
<b>12W</b>	Initial Lumens	1122	1618	1618	1618	1618
	Delivered Lumens	969	1249	1360	1353	1272
	UGR		18.5	16.9	20.2	21.8
<b>15W</b>	Initial Lumens	1267	2015	2015	2015	2015
	Delivered Lumens	1094	1533	1685	1614	1580
	UGR		18.8	17.5	20.9	22.8
<b>20W</b>	Initial Lumens	1485	2422	2422	2422	2422
	Delivered Lumens	1284	1858	2070	1956	1916
	UGR		19.4	18.3	21.6	23.5

\* Values are listed at 3000K, 90+ CRI with a white bevel & trim.

Notes

1. 12° spread without lens on trim

### COLOR TEMPERATURE MULTIPLIER FOR DELIVERED LUMENS

2700K	3000K	3500K	4000K
0.95	1.00	1.04	1.07

### DIFFUSED LENS



- Listed IES files are with diffused lens

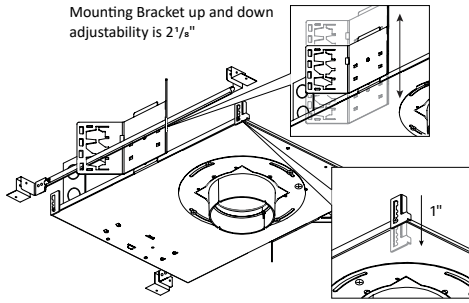
### OPTIONAL FIELD REMOVABLE LENS



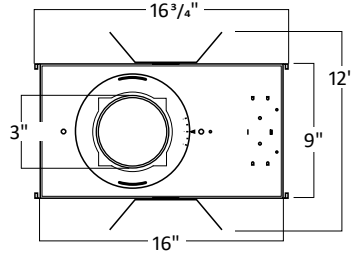
- Not suitable for wet locations
- Increase in lumens by approximately 7%

## 2" LED ARCHITECTURAL ROUND FLANGELESS DOWNLIGHT NEW CONSTRUCTION: IC & NON IC

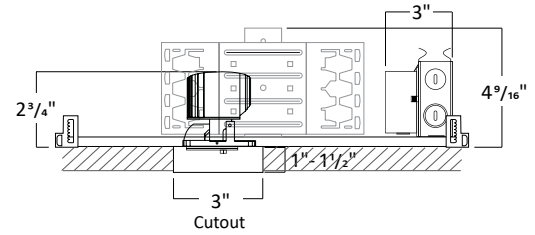
### NON-IC HOUSING DIMENSIONS



NC - Non-IC New Construction

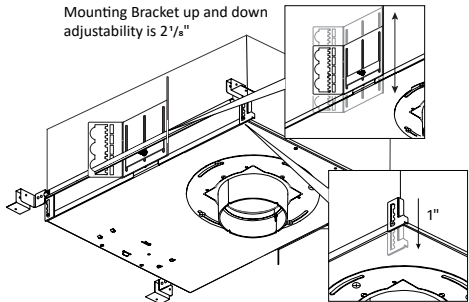


Universal bar hanger mounts on the length or width side of the fixture; Ceiling mount bracket provides 1" adjustability.

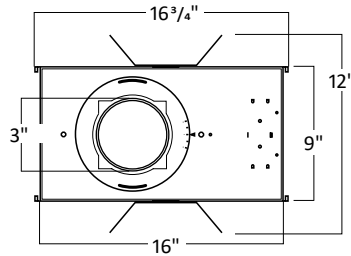


1. Must remove spacer to achieve 1/2" collar height
2. Consult factory for Made to Order collar height
3. Allow 1/8" tolerance

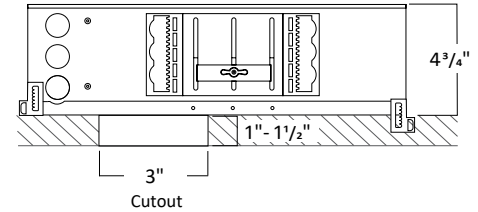
### IC HOUSING DIMENSIONS



IC - IC Air-Tight New Construction



Universal bar hanger mounts on the length or width side of the fixture; Ceiling mount bracket provides 1" adjustability.



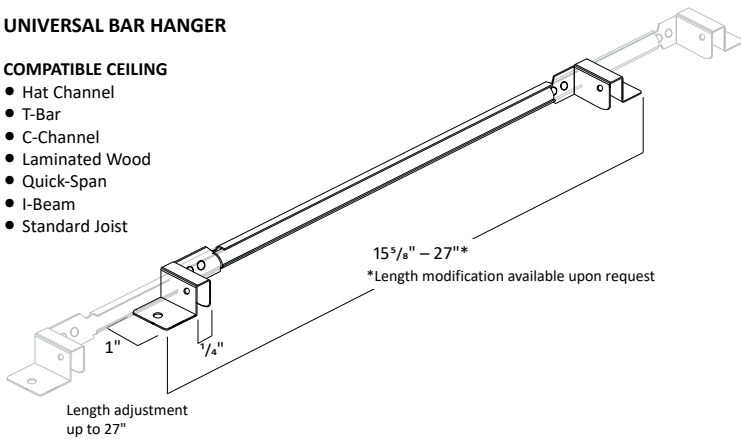
1. Must remove spacer to achieve 1/2" collar height
2. Consult factory for Made to Order collar height
3. Allow 1/8" tolerance

### FRAME ACCESSORIES

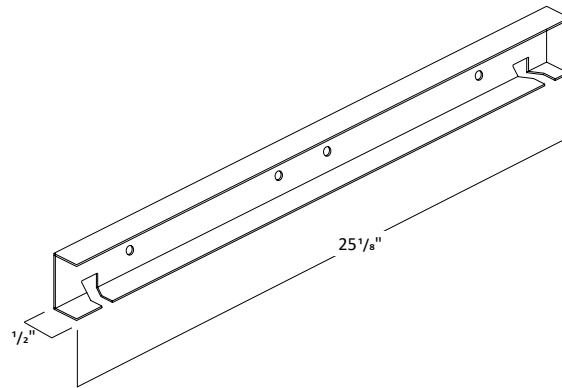
#### UNIVERSAL BAR HANGER

##### COMPATIBLE CEILING

- Hat Channel
- T-Bar
- C-Channel
- Laminated Wood
- Quick-Span
- I-Beam
- Standard Joist

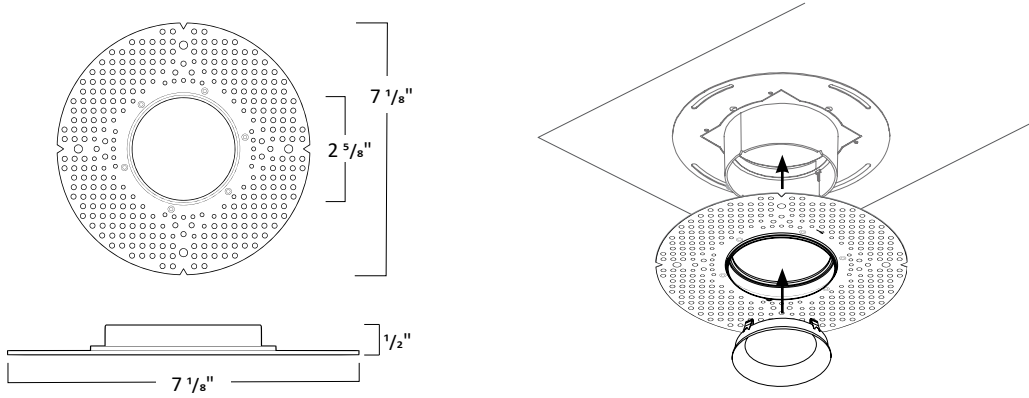


#### C-CHANNEL BAR HANGER

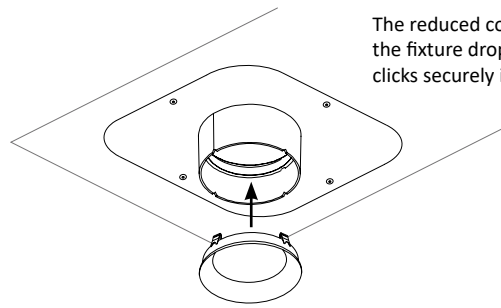
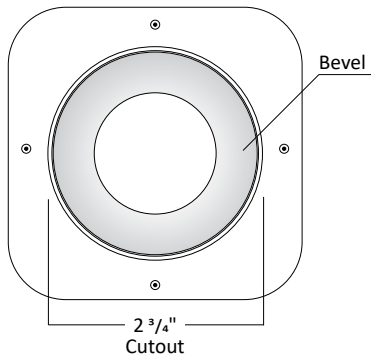


## 2" LED ARCHITECTURAL ROUND FLANGELESS DOWNLIGHT NEW CONSTRUCTION: IC & NON IC

### FLANGELESS PLASTER (LPR)



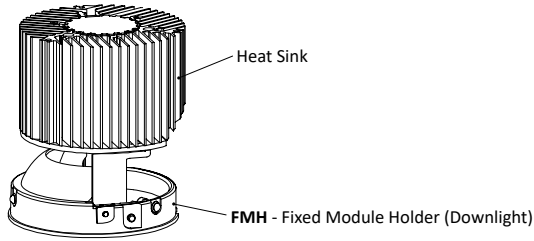
### FLANGELESS MILLWORK WITH DEDICATED COLLAR (LDMR)



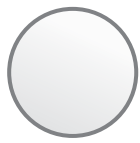
The reduced collar diameter allows for easy installation; the fixture drops into the ceiling opening and the bevel clicks securely into the collar.

2" LED ARCHITECTURAL ROUND FLANGELESS DOWNLIGHT  
NEW CONSTRUCTION: IC & NON IC

## MODULE DIMENSIONS



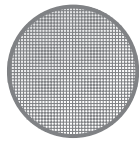
## FILTERS



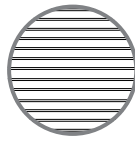
Frosted Filter



Honey Comb

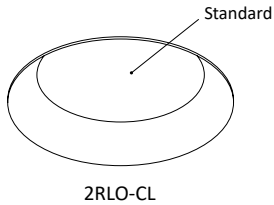


Solite Filter

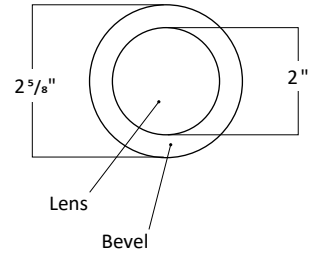
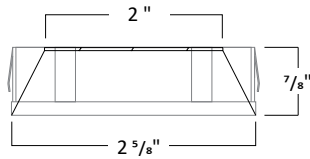


Linear Filter

## TRIM DIMENSIONS



2RLO-CL



## TRIM FINISH



White



Black



Haze



Bronze

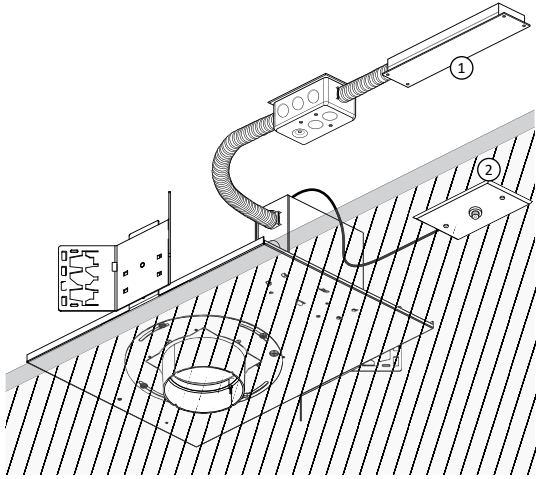


Clear

\*Consult Factory for Made to Order Finishes

## 2" LED ARCHITECTURAL ROUND FLANGELESS DOWNLIGHT NEW CONSTRUCTION: IC & NON IC

### REMOTE EMERGENCY BATTERY: NON-IC NEW CONSTRUCTION HOUSING

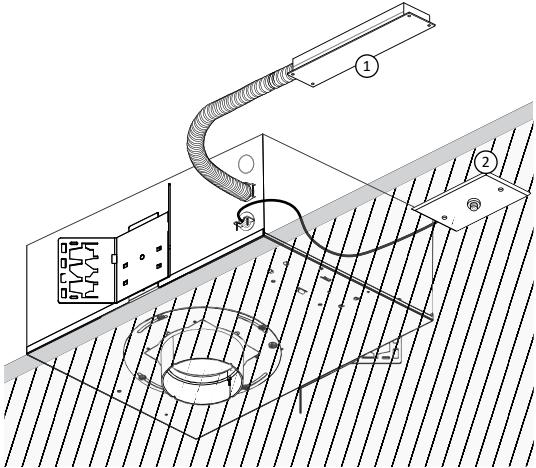


**NC - Non-IC New Construction**

**ER8W** and **ER15W** is an 8W and 15W Emergency Battery that is remote to the fixture with a remote test switch. The EM unit is accessible from below the ceiling for replacement purposes.

- 1. Remote Emergency Battery
- 2. Remote Test Switch

### REMOTE EMERGENCY BATTERY: IC NEW CONSTRUCTION HOUSING

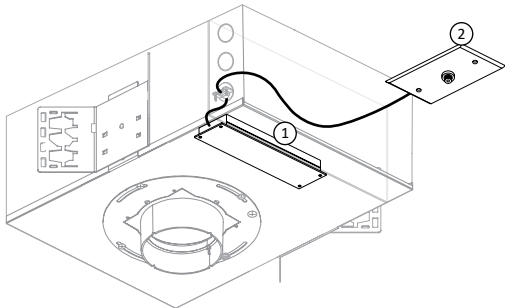


**IC - IC Air-Tight New Construction**

**ER8W** and **ER15W** is an 8W and 15W Emergency Battery that is remote to the fixture with a remote test switch. Ceiling access is required for replacement purposes

- 1. Remote Emergency Battery
- 2. Remote Test Switch

### INTEGRAL EMERGENCY BATTERY: IC NEW CONSTRUCTION HOUSING



**IC - IC Air-Tight New Construction**

**ER4W** is an 4W Emergency Battery that is integral to the fixture with an remote test switch. The EM unit is accessible from below the ceiling for replacement purposes.

\*Available in IC housing only

- 1. Integral Emergency Battery
- 2. Remote Test Switch