

2" LED ARCHITECTURAL ROUND FLANGELESS DOWNLIGHT NEW CONSTRUCTION: IC & NON IC



GENERAL INFORMATION

USE OF PRODUCT

The 2" Prime Downlight is a small aperture fixture with shallow height that may be used in residential and commercial applications. Die cast trims, with an assortment of color temperatures, optics and dimmable drivers available.

LED ENGINE

LED engine available with CREE LEDs in 2700K, 3000K, 3500K, or 4000K in standard 93+ CRI. 2 Step MacAdam ellipse allows for color consistency between fixtures. LED mounted to aluminum heat sink for maximum life output and thermal management. LED engine is accessible from below ceiling.

OPTICAL LENS

Field replaceable optical lenses are available in 12°, 30°, 35°, 40°, and 50°. Easily achieve narrow spot to wide flood beam pattern.

THERMAL MANAGEMENT

Ambient temperatures at fixture location should not exceed -20° to 40°C.

FRAME CONSTRUCTION

IC and Non-IC rated housing are constructed from a 16-gauge heavy-duty, powder-coated cold-rolled steel frame and includes a junction box with ½" knockouts. Butterfly brackets (included) accommodate universal or C-channel hangers (order separately).

ADJUSTMENT

- Housing supports 359° locking rotation.
- Aperture collar compatible up to 1½" ceiling thickness. Consult factory for made-to-order aperture collars exceeding 1½".

DIMMING

Available in six driver selections. (ID) Standard all-inclusive ELV (120V), Triac (120V), and 0–10V (120–277V) dimming driver called Intelligent Drive. (EELS) eldoLED 1% Dim 0-10V (120-277V), Triac (120V), Max 20W. (EDIO) eldoLED 0.1% Dim (0–10V), 120–277V. (EDID) eldoLED 0.1% Dim (DALI), (EDD) eldoLED 1% Dim (DALI2), (PEQ0) Lutron Hi-Lume Premier Ecosystem 0.1% with Soft-on, Fade-to-Black Dimming. Drivers are accessible from below the ceiling.

BEVEL

Bevel includes standard frosted acrylic diffuser. Remove standard frosted acrylic diffuser in field for 7% lumens increase. Consult factory for made-to-order finishes. Wet location for bathrooms and showers with standard lens on trim.

EMERGENCY BATTERY

Optional Emergency Battery (EM) available in 4W (≈400 lm), 8W (≈800 lm), or 15W (≈1,500 lm) available for a minimum of 90 minutes. Please review page 7 for integral or remote EM and test switch options with solutions that allow for EM replacement from below the ceiling.

LABELS/COMPLIANCE/WARRANTY

- CSA listed for US and Canada
- Dry/Damp/Wet location rated
- Chicago Plenum with IC Housing
- 5-year limited warranty



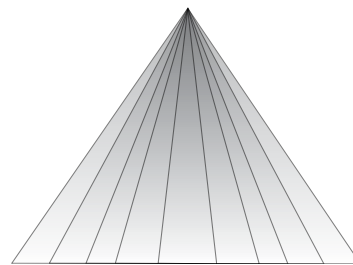
GENERAL PERFORMANCE CHART

*Detailed performance chart may be found on page 3

	6W	9W	12W	15W	20W
Initial Lumens	657/955	890/1296	1122/1618	1267/2015	1485/2422
Delivered Lumens	599-784	809-1074	969-1360	1094-1685	1284-2070

* Values are listed at 3000K, 90+ CRI with a white bevel & trim.
Delivered lumens range based on beam spread.
Performance may vary +/- 5%

BEAM SPREAD



Available optics: 13° 30° 35° 40° 50°

- Field replaceable TIR optics
- Easily achieve narrow spot to wide flood beam pattern
- Optional filters available upon request

PRIME FAMILY OF PRODUCTS



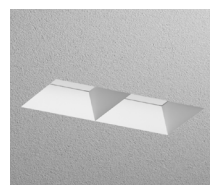
Downlight



TechZone®



WoodWorks®



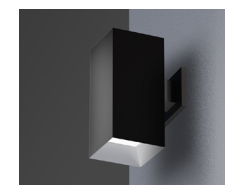
Multiple Dedicated Bevel



Multiple Open Bevel



Cylinder



Square Luminaire

2" LED ARCHITECTURAL ROUND FLANGELESS DOWNLIGHT NEW CONSTRUCTION: IC & NON IC

ORDERING INFORMATION

Series	Wattage	Dimming	Color Temperature	Optical Lens	Filter
RPA2	6W - 6 Watt 9W - 9 Watt 12W - 12 Watt 15W - 15 Watt 20W - 20 Watt	ID¹ - Standard All-Inclusive ELV(120V), Triac(120V), and 0-10V(120-277V) Dimming Driver (Intelligent Drive) EEIS² - eldoLED 1% Dim 0–10V (120-127V), Triac (120V) EDIO³ - eldoLED 0.1% Dim (0–10V) EDID³ - eldoLED 0.1% Dim (DALI) EDD³ - eldoLED 1% Dim (DALI2) PEQ0 - Lutron Hi-Lume Premier Ecosystem 0.1% with Soft-on, Fade-to-Black Dimming	27K - 2700K 30K - 3000K 35K - 3500K 40K - 4000K	12⁴ - 12° 30 - 30° 35 - 35° 40 - 40° 50 - 50°	Blank - None F - Frosted Filter H - Honey Comb S - Solite Filter L - Linear Filter

Housing Type	Collar	Module Type	Trim Style	Frame Accessories
IC - IC Air-Tight New Construction NC - Non-IC New Construction	CR10 - 1.0" Depth CR15 - 1.5" Depth MTO - Made To Order	FMH - Downlight	LPR - Flangeless Plaster LDMR - Flangeless Millwork with Dedicated Collar	UH - Universal Bar Hanger C - C-Channel Bar Hanger

Wireless Controls	Options
AWN - Athena Wireless (Lutron) CLM - Connected Lighting Module (Legrand Wattstopper)	ER4W⁵ - Emergency Battery with Remote test switch (400 lm) ER8W⁶ - Emergency Battery with Remote test switch (800 lm) ER15W⁶ - Emergency Battery with Remote test switch (1,500 lm) 347V - 347V Step down transformer CP⁷ - Chicago Plenum

Notes

- Intelligent Drive is the standard driver.
- Driver programmed only in linear mode.
- Must specify logarithmic or linear eldoLED driver.
- 12° spread without lens on trim.
- Available in IC housing only.
- Ceiling access is required for IC housing to replace the EM unit.
- Requires IC housing.

TRIM ORDERING INFORMATION

DIE-CAST

Bevel Finish	Bevel	Finish
2" Round Flangeless Regress Large Opening	2RLO-CL	W - White
	2RLO-CL	B - Black
	2RLO-CL	H - Haze
	2RLO-CL	BZ - Bronze
	2RLO-CL	C - Clear
	2RLO-CL	MTO - Made To Order

2" LED ARCHITECTURAL ROUND FLANGELESS DOWNLIGHT NEW CONSTRUCTION: IC & NON IC

PERFORMANCE CHART

Optics		¹ 12°	30°	35°	40°	50°
6W	Initial Lumens	657	955	955	955	955
	Delivered Lumens	599	730	784	774	745
	UGR		16.6	14.9	18	19.3
9W	Initial Lumens	890	1296	1296	1296	1296
	Delivered Lumens	809	995	1074	1065	1014
	UGR		17.7	16	19.2	20.3
12W	Initial Lumens	1122	1618	1618	1618	1618
	Delivered Lumens	969	1249	1360	1353	1272
	UGR		18.5	16.9	20.2	21.8
15W	Initial Lumens	1267	2015	2015	2015	2015
	Delivered Lumens	1094	1533	1685	1614	1580
	UGR		18.8	17.5	20.9	22.8
20W	Initial Lumens	1485	2422	2422	2422	2422
	Delivered Lumens	1284	1858	2070	1956	1916
	UGR		19.4	18.3	21.6	23.5

* Values are listed at 3000K, 90+ CRI with a white bevel & trim.

Notes

1. 12° spread without lens on trim

COLOR TEMPERATURE MULTIPLIER FOR DELIVERED LUMENS

2700K	3000K	3500K	4000K
0.95	1.00	1.04	1.07

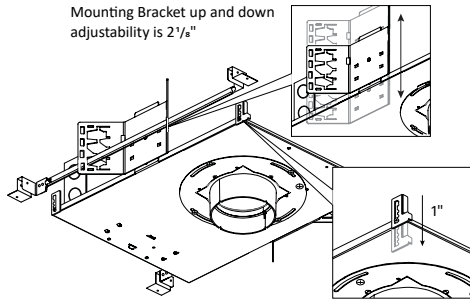
2RLO-CL REGRESS LARGE OPENING



- IES files are based on the large opening trim with diffused lens.
- Not suitable for wet locations
- Increase in lumens by approximately 7%

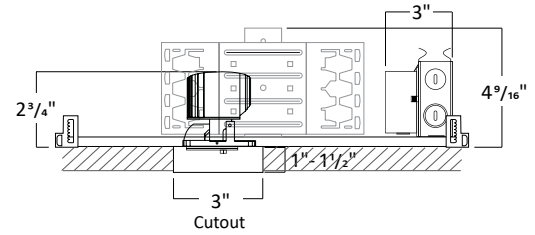
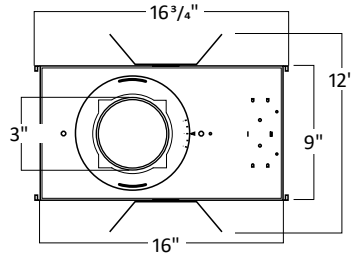
2" LED ARCHITECTURAL ROUND FLANGELESS DOWNLIGHT NEW CONSTRUCTION: IC & NON IC

NON-IC HOUSING DIMENSIONS



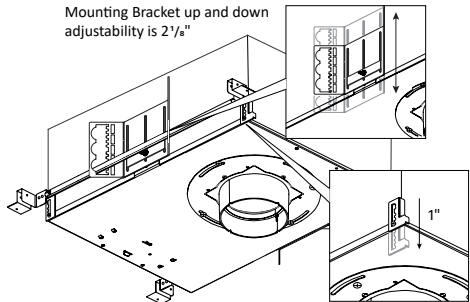
NC - Non-IC New Construction

Universal bar hanger mounts on the length or width side of the fixture; Ceiling mount bracket provides 1" adjustability.



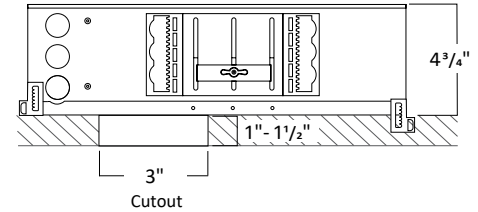
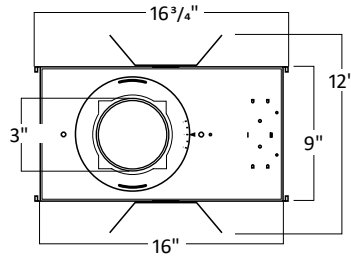
1. Must remove spacer to achieve 1 1/2" collar height
2. Consult factory for Made to Order collar height
3. Allow 1/8" tolerance

IC HOUSING DIMENSIONS



IC - IC Air-Tight New Construction

Universal bar hanger mounts on the length or width side of the fixture; Ceiling mount bracket provides 1" adjustability.



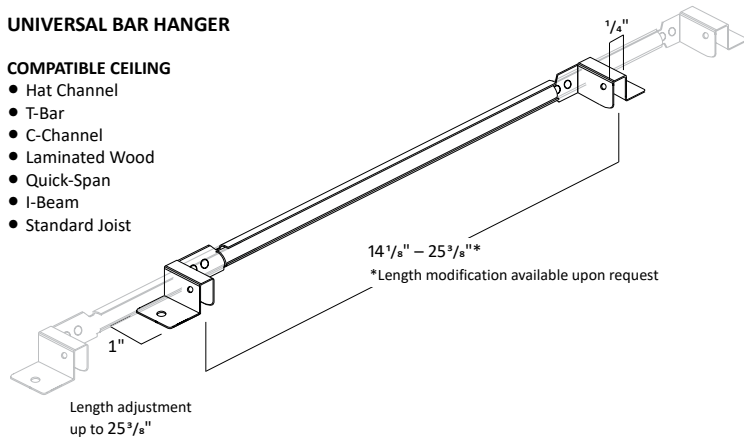
1. Must remove spacer to achieve 1 1/2" collar height
2. Consult factory for Made to Order collar height
3. Allow 1/8" tolerance

FRAME ACCESSORIES

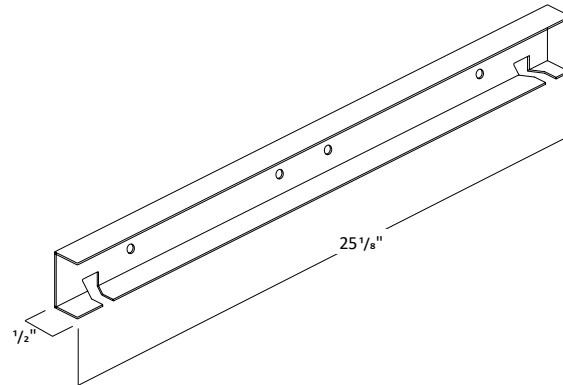
UNIVERSAL BAR HANGER

COMPATIBLE CEILING

- Hat Channel
- T-Bar
- C-Channel
- Laminated Wood
- Quick-Span
- I-Beam
- Standard Joist

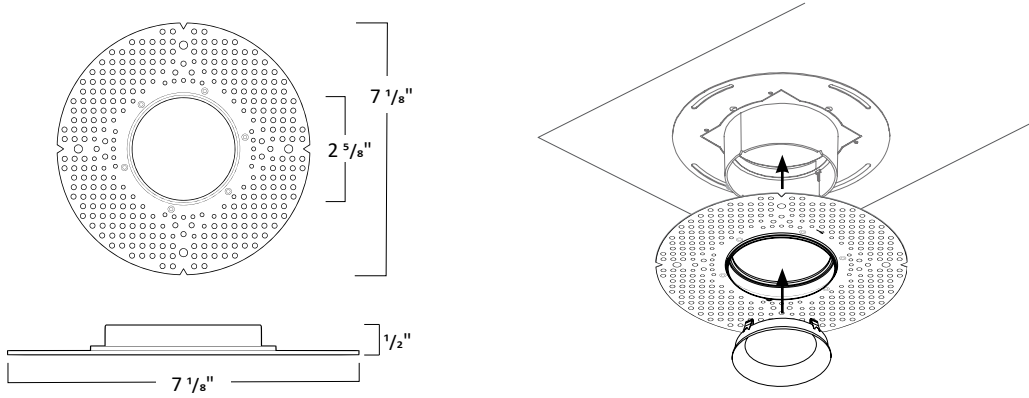


C-CHANNEL BAR HANGER

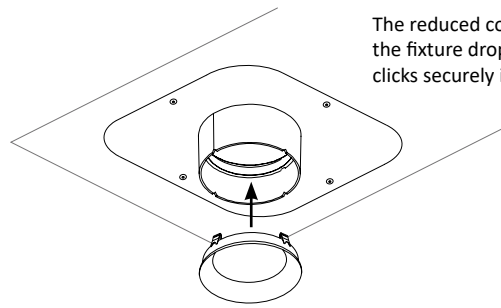
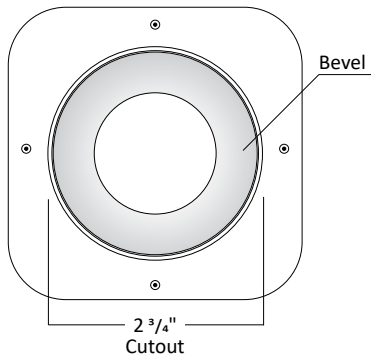


2" LED ARCHITECTURAL ROUND FLANGELESS DOWNLIGHT NEW CONSTRUCTION: IC & NON IC

FLANGELESS PLASTER (LPR)



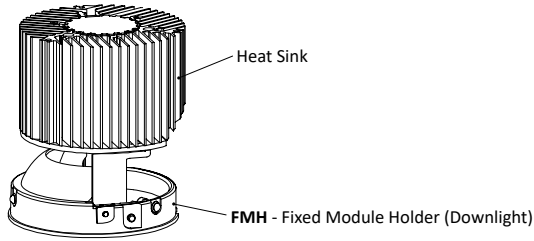
FLANGELESS MILLWORK WITH DEDICATED COLLAR (LDMR)



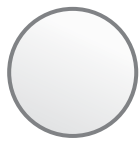
The reduced collar diameter allows for easy installation; the fixture drops into the ceiling opening and the bevel clicks securely into the collar.

2" LED ARCHITECTURAL ROUND FLANGELESS DOWNLIGHT
 NEW CONSTRUCTION: IC & NON IC

MODULE DIMENSIONS



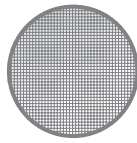
FILTERS



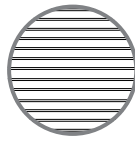
Frosted Filter



Honey Comb

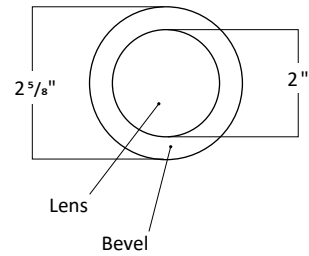
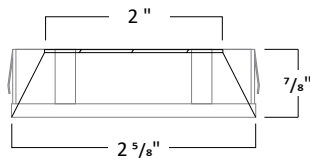
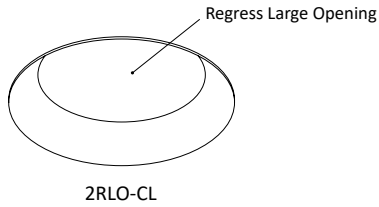


Solite Filter



Linear Filter

TRIM DIMENSIONS



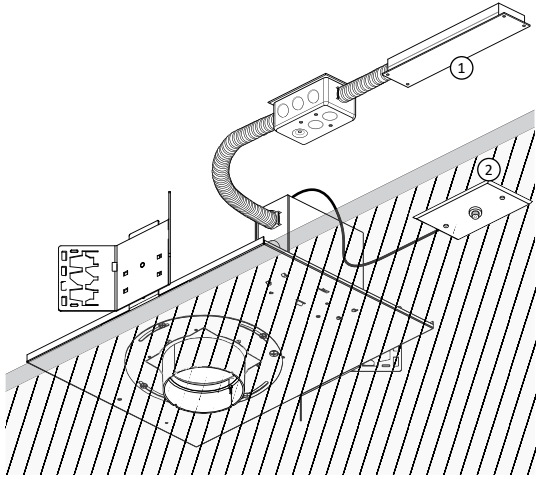
TRIM FINISH



*Consult Factory for Made to Order Finishes

2" LED ARCHITECTURAL ROUND FLANGELESS DOWNLIGHT NEW CONSTRUCTION: IC & NON IC

REMOTE EMERGENCY BATTERY: NON-IC NEW CONSTRUCTION HOUSING

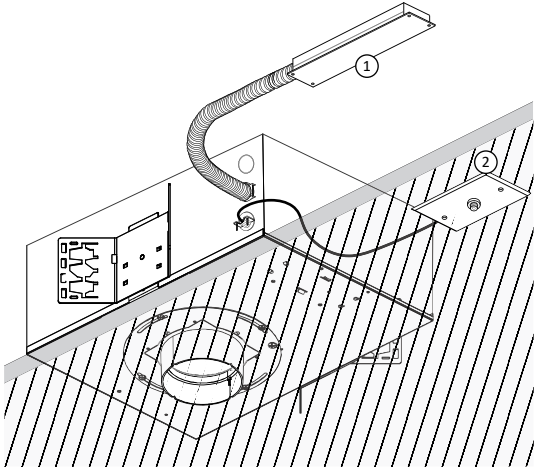


NC - Non-IC New Construction

ER8W and **ER15W** is an 8W and 15W Emergency Battery that is remote to the fixture with a remote test switch. The EM unit is accessible from below the ceiling for replacement purposes.

- 1. Remote Emergency Battery
- 2. Remote Test Switch

REMOTE EMERGENCY BATTERY: IC NEW CONSTRUCTION HOUSING

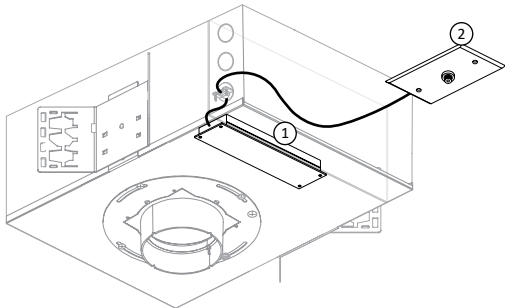


IC - IC Air-Tight New Construction

ER8W and **ER15W** is an 8W and 15W Emergency Battery that is remote to the fixture with a remote test switch. Ceiling access is required for replacement purposes

- 1. Remote Emergency Battery
- 2. Remote Test Switch

INTEGRAL EMERGENCY BATTERY: IC NEW CONSTRUCTION HOUSING



IC - IC Air-Tight New Construction

ER4W is an 4W Emergency Battery that is integral to the fixture with an remote test switch. The EM unit is accessible from below the ceiling for replacement purposes.

*Available in IC housing only

- 1. Integral Emergency Battery
- 2. Remote Test Switch