

## 2" LED ARCHITECTURAL ROUND FLANGELESS WALL WASH NEW CONSTRUCTION: IC & NON IC



### GENERAL INFORMATION

#### USE OF PRODUCT

The 2" Prime Wall Wash is a small aperture fixture with shallow height that may be used in residential and commercial applications. Die cast trims, with an assortment of color temperatures, optics and dimmable drivers available.

#### LED ENGINE

LED engine available with CREE LEDs in 2700K, 3000K, 3500K, or 4000K in standard 93+ CRI. 2 Step MacAdam ellipse allows for color consistency between fixtures. LED mounted to aluminum heat sink for maximum life output and thermal management. LED engine is accessible from below ceiling.

#### OPTICAL LENS

Field replaceable optical lenses are available in 15°, 24°, 36°, and 50°. Easily achieve narrow spot to wide flood beam pattern.

#### THERMAL MANAGEMENT

Ambient temperatures at fixture location should not exceed -20° to 40°C.

#### FRAME CONSTRUCTION

IC and Non-IC rated housing are constructed from a 16-gauge heavy-duty, powder-coated cold-rolled steel frame and includes a junction box with ½" knockouts. Butterfly brackets (included) accommodate universal or C-channel hangers (order separately).

#### ADJUSTMENT

- Light engine locked at 25° tilt, consult factory for other tilt setting.
- Housing supports 359° locking rotation.
- Aperture collar compatible up to 1½" ceiling thickness. Consult factory for made-to-order aperture collars exceeding 1½".

#### DIMMING

Available in six driver selections. (ID) Standard all-inclusive ELV (120V), Triac (120V), and 0-10V (120-277V) dimming driver called Intelligent Drive. (EEIS) eldoLED 1% Dim 0-10V (120-277V), Triac (120V), Max 20W. (EDIO) eldoLED 0.1% Dim (0-10V), 120-277V. (EDID) eldoLED 0.1% Dim (DALI), (EDD) eldoLED 1% Dim (DALI2), (PEQ0) Lutron Hi-Lume Premier Ecosystem 0.1% with Soft-on, Fade-to-Black Dimming. Drivers are accessible from below the ceiling.

#### BEVEL

Bevel includes standard frosted acrylic diffuser. Remove standard frosted acrylic diffuser in field for 7% lumens increase. Consult factory for made-to-order finishes. Wet location for bathrooms and showers with standard lens on trim.

#### EMERGENCY BATTERY

Optional Emergency Battery (EM) available in 4W (≈400 lm), 8W (≈800 lm), or 15W (≈1,500 lm) available for a minimum of 90 minutes. Please review page 7 for integral or remote EM and test switch options with solutions that allow for EM replacement from below the ceiling.

#### LABELS/COMPLIANCE/WARRANTY

- CSA listed for US and Canada
- Dry/Damp/Wet location rated
- Chicago Plenum with IC Housing
- 5-year limited warranty



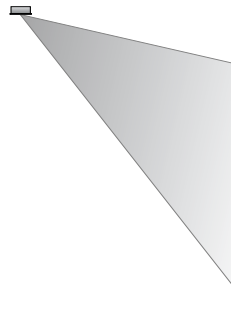
### GENERAL PERFORMANCE CHART

\*Detailed performance chart may be found on page 2

	6W	9W	12W	15W	20W
<b>Initial Lumens</b>	955	1296	1618	2015	2422
<b>Delivered Lumens</b>	593-619	805-840	1009-1050	1225-1273	1486-1546

\* Values are listed at 3000K, 90+ CRI with a white bevel & trim.  
Delivered lumens range based on beam spread.  
Performance may vary +/- 5%

### BEAM SPREAD



Field replaceable TIR optics

### PRIME FAMILY OF PRODUCTS



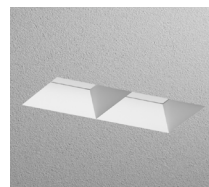
Downlight



TechZone®



WoodWorks®



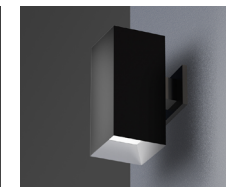
Multiple Dedicated Bevel



Multiple Open Bevel



Cylinder



Square Luminaire

## 2" LED ARCHITECTURAL ROUND FLANGELESS WALL WASH NEW CONSTRUCTION: IC & NON IC

### ORDERING INFORMATION

Series	Wattage	Dimming	Color Temperature	Optical Lens	Housing Type
RPA2	<b>6W</b> - 6 Watt <b>9W</b> - 9 Watt <b>12W</b> - 12 Watt <b>15W</b> - 15 Watt <b>20W</b> - 20 Watt	<b>ID<sup>1</sup></b> - Standard All-Inclusive ELV(120V), Triac(120V), and 0-10V(120-277V) Dimming Driver (Intelligent Drive) <b>EIIS<sup>2</sup></b> - eldoLED 1% Dim 0-10V (120-127V), Triac (120V) <b>EDIO<sup>3</sup></b> - eldoLED 0.1% Dim (0-10V) <b>EDID<sup>3</sup></b> - eldoLED 0.1% Dim (DALI) <b>EDD<sup>3</sup></b> - eldoLED 1% Dim (DALI2) <b>PEQO</b> - Lutron Hi-Lume Premier Ecosystem 0.1% with Soft-on, Fade-to-Black Dimming	<b>27K</b> - 2700K <b>30K</b> - 3000K <b>35K</b> - 3500K <b>40K</b> - 4000K	<b>15</b> - 15° <b>24</b> - 24° <b>36</b> - 36° <b>50</b> - 50°	<b>IC</b> - IC Air-Tight New Construction <b>NC</b> - Non-IC New Construction

Collar	Module Type	Trim Style	Frame Accessories
<b>CR10</b> - 1.0" Depth <b>CR15</b> - 1.5" Depth <b>MTO</b> - Made To Order	<b>AMHW</b> - Accent Wall Wash	<b>LPR</b> - Flangeless Plaster <b>LDMR</b> - Flangeless Millwork with Dedicated Collar	<b>UH</b> - Universal Bar Hanger <b>C</b> - C-Channel Bar Hanger

Wireless Controls	Options	Notes
<b>AWN</b> - Athena Wireless (Lutron) <b>CLM</b> - Connected Lighting Module (Legrand Wattstopper)	<b>ER4W<sup>4</sup></b> - Emergency Battery with Remote test switch (400 lm) <b>ER8W<sup>5</sup></b> - Emergency Battery with Remote test switch (800 lm) <b>ER15W<sup>5</sup></b> - Emergency Battery with Remote test switch (1,500 lm) <b>347V</b> - 347V Step down transformer <b>CP<sup>6</sup></b> - Chicago Plenum	1. Intelligent Drive is the standard driver. 2. Driver programmed only in linear mode. 3. Must specify logarithmic or linear eldoLED driver. 4. Available in IC housing only. 5. Ceiling access is required for IC housing to replace the EM unit. 6. Requires IC housing.

### TRIM ORDERING INFORMATION

#### DIE-CAST

Bevel Finish	Bevel	Finish
2" Round Flangeless Accent	2RLA-CL	<b>W</b> - White
	2RLA-CL	<b>B</b> - Black
	2RLA-CL	<b>H</b> - Haze
	2RLA-CL	<b>BZ</b> - Bronze
	2RLA-CL	<b>C</b> - Clear
	2RLA-CL	<b>MTO</b> - Made To Order

2" LED ARCHITECTURAL ROUND FLANGELESS WALL WASH  
NEW CONSTRUCTION: IC & NON IC

PERFORMANCE CHART

Optics		15°	24°	36°	50°
6W	Initial Lumens	955	955	955	955
	Delivered Lumens	593	618	619	611
9W	Initial Lumens	1296	1296	1296	1296
	Delivered Lumens	805	840	840	830
12W	Initial Lumens	1618	1618	1618	1618
	Delivered Lumens	1009	1050	1050	1037
15W	Initial Lumens	2015	2015	2015	2015
	Delivered Lumens	1225	1273	1273	1257
20W	Initial Lumens	2422	2422	2422	2422
	Delivered Lumens	1486	1543	1546	1524

\* Values are listed at 3000K, 90+ CRI with a white bevel & trim.

COLOR TEMPERATURE MULTIPLIER FOR DELIVERED LUMENS

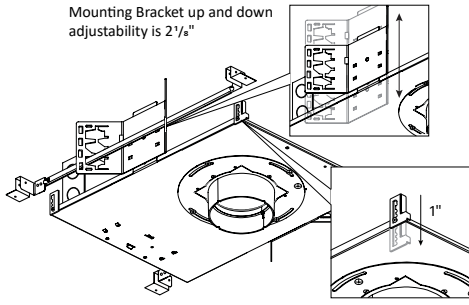
2700K	3000K	3500K	4000K
0.95	1.00	1.04	1.07

2RLA-CL ACCENT



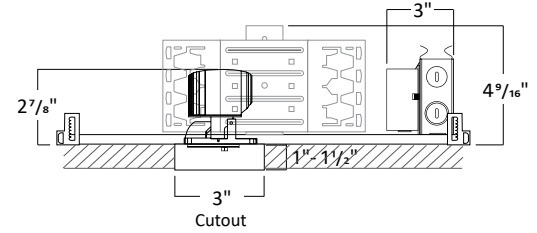
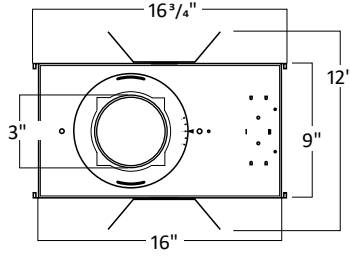
## 2" LED ARCHITECTURAL ROUND FLANGELESS WALL WASH NEW CONSTRUCTION: IC & NON IC

### NON-IC HOUSING DIMENSIONS



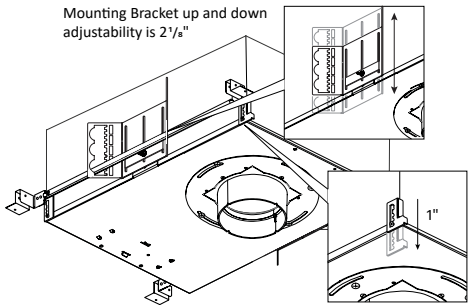
NC - Non-IC New Construction

Universal bar hanger mounts on the length or width side of the fixture;  
Ceiling mount bracket provides 1" adjustability.



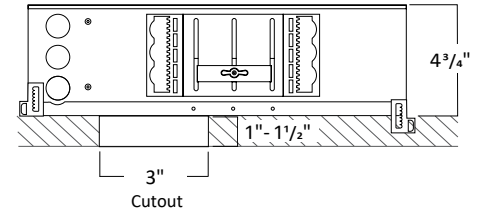
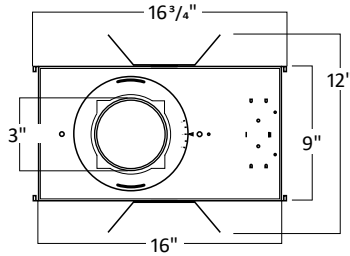
1. Must remove spacer to achieve 1 1/2" collar height
2. Consult factory for Made to Order collar height
3. Allow 1/8" tolerance

### IC HOUSING DIMENSIONS



IC - IC Air-Tight New Construction

Universal bar hanger mounts on the length or width side of the fixture;  
Ceiling mount bracket provides 1" adjustability.



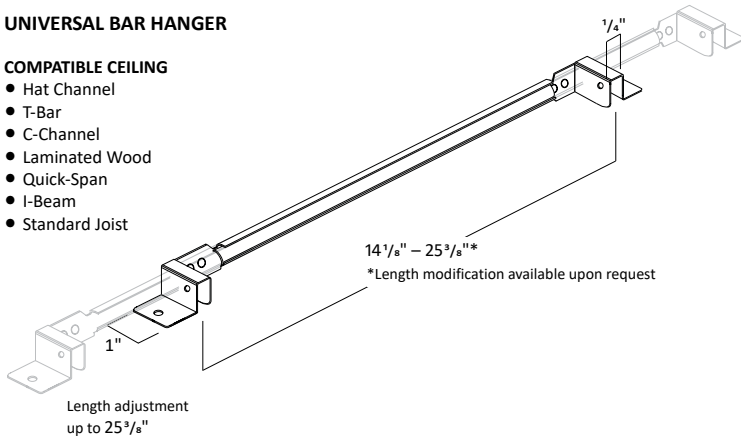
1. Must remove spacer to achieve 1 1/2" collar height
2. Consult factory for Made to Order collar height
3. Allow 1/8" tolerance

### FRAME ACCESSORIES

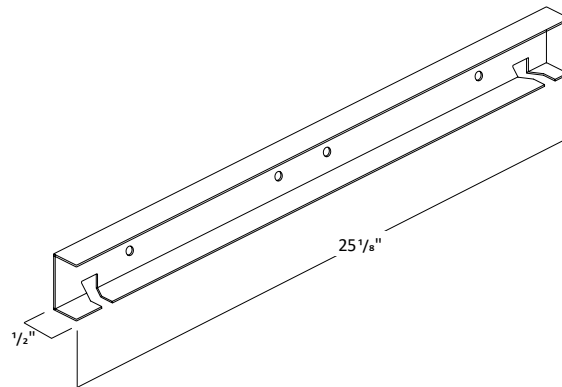
#### UNIVERSAL BAR HANGER

##### COMPATIBLE CEILING

- Hat Channel
- T-Bar
- C-Channel
- Laminated Wood
- Quick-Span
- I-Beam
- Standard Joist

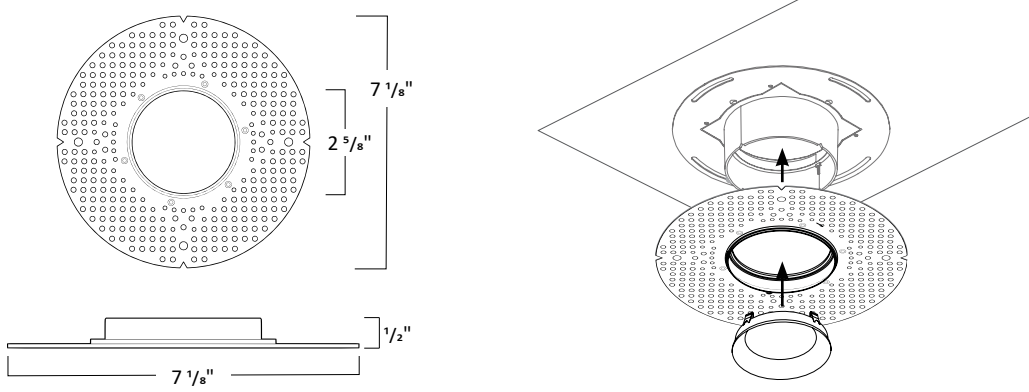


#### C-CHANNEL BAR HANGER

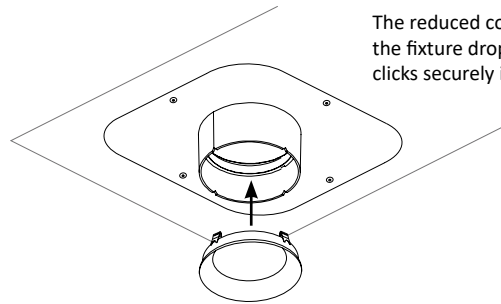
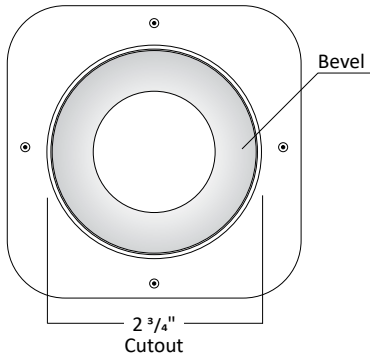


## 2" LED ARCHITECTURAL ROUND FLANGELESS WALL WASH NEW CONSTRUCTION: IC & NON IC

### FLANGELESS PLASTER (LPR)



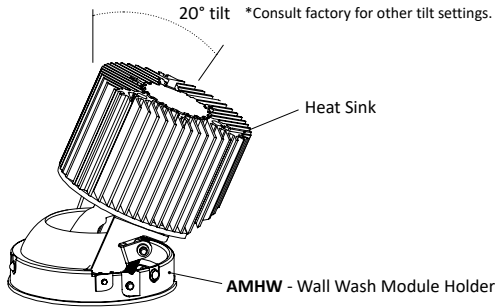
### FLANGELESS MILLWORK WITH DEDICATED COLLAR (LDMR)



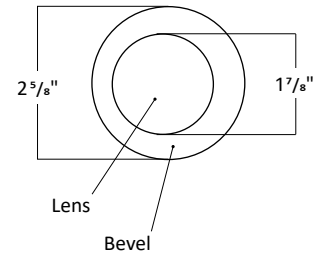
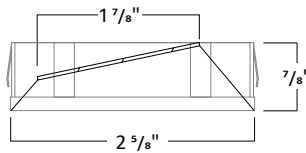
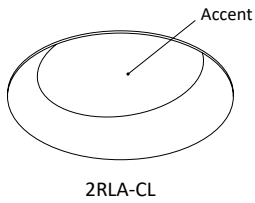
The reduced collar diameter allows for easy installation; the fixture drops into the ceiling opening and the bevel clicks securely into the collar.

## 2" LED ARCHITECTURAL ROUND FLANGELESS WALL WASH NEW CONSTRUCTION: IC & NON IC

### MODULE DIMENSIONS



### TRIM DIMENSIONS



### TRIM FINISH



White



Black



Haze



Bronze

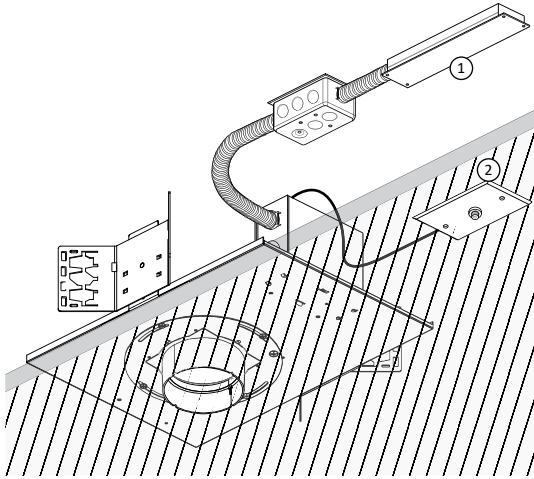


Clear

\*Consult Factory for Made to Order Finishes

## 2" LED ARCHITECTURAL ROUND FLANGELESS WALL WASH NEW CONSTRUCTION: IC & NON IC

### REMOTE EMERGENCY BATTERY: NON-IC NEW CONSTRUCTION HOUSING

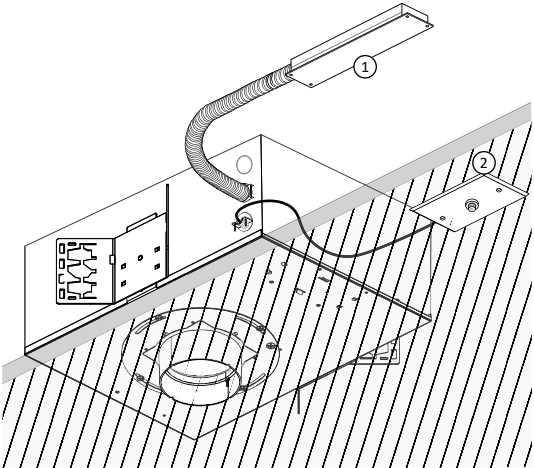


**NC** - Non-IC New Construction

**ER8W** and **ER15W** is an 8W and 15W Emergency Battery that is remote to the fixture with a remote test switch. The EM unit is accessible from below the ceiling for replacement purposes.

1. Remote Emergency Battery
2. Remote Test Switch

### REMOTE EMERGENCY BATTERY: IC NEW CONSTRUCTION HOUSING

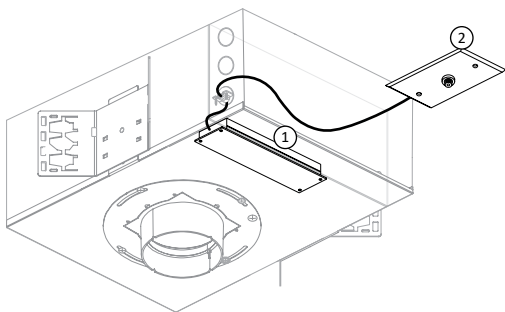


**IC** - IC Air-Tight New Construction

**ER8W** and **ER15W** is an 8W and 15W Emergency Battery that is remote to the fixture with a remote test switch. Ceiling access is required for replacement purposes

1. Remote Emergency Battery
2. Remote Test Switch

### INTEGRAL EMERGENCY BATTERY: IC NEW CONSTRUCTION HOUSING



**IC** - IC Air-Tight New Construction

**ER4W** is an 4W Emergency Battery that is integral to the fixture with an remote test switch. The EM unit is accessible from below the ceiling for replacement purposes.

\*Available in IC housing only

1. Integral Emergency Battery
2. Remote Test Switch