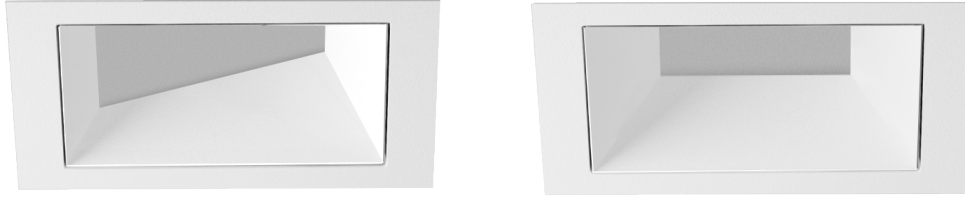


2" LED ARCHITECTURAL SQUARE FLANGE ADJUSTABLE NEW CONSTRUCTION: IC & NON IC



GENERAL INFORMATION

USE OF PRODUCT

The 2" Prime Adjustable is a small aperture fixture with shallow height that may be used in residential and commercial applications. Die cast trims, with an assortment of color temperatures, optics and dimmable drivers available.

LED ENGINE

LED engine available with CREE LEDs in 2700K, 3000K, 3500K, or 4000K in standard 93+ CRI. 2 Step MacAdam ellipse allows for color consistency between fixtures. LED mounted to aluminum heat sink for maximum life output and thermal management. LED engine is accessible from below ceiling.

OPTICAL LENS

Field replaceable optical lenses are available in 17°, 35°, 40°, 50°, and 55°. Easily achieve narrow spot to wide flood beam pattern.

THERMAL MANAGEMENT

Ambient temperatures at fixture location should not exceed -20° to 40°C.

FRAME CONSTRUCTION

IC and Non-IC rated housing are constructed from a 16-gauge heavy-duty, powder-coated cold-rolled steel frame and includes a junction box with ½" knockouts. Butterfly brackets (included) accommodate universal or C-channel hangers (order separately).

ADJUSTMENT

- Light engine allows for hot aiming from 0-40°.
- Housing supports 359° locking rotation.
- Aperture collar compatible up to 1½" ceiling thickness. Consult factory for made-to-order aperture collars exceeding 1½".

DIMMING

Available in six driver selections. (ID) Standard all-inclusive ELV (120V), Triac (120V), and 0-10V (120-277V) dimming driver called Intelligent Drive. (EIS) eldoLED 1% Dim 0-10V (120-277V), Triac (120V), Max 20W. (EDIO) eldoLED 0.1% Dim (0-10V), 120-277V. (EDID) eldoLED 0.1% Dim (DALI), (EDD) eldoLED 1% Dim (DALI2), (PEQ0) Lutron Hi-Lume Premier Ecosystem 0.1% with Soft-on, Fade-to-Black Dimming. Drivers are accessible from below the ceiling.

TRIM

Flange trims available in die-cast and includes standard frosted acrylic diffuser. Remove standard frosted acrylic diffuser in field for 7% lumens increase. Consult factory for made-to-order finishes. Wet location for bathrooms and showers with standard lens on trim.

EMERGENCY BATTERY

Optional Emergency Battery (EM) available in 4W (≈400 lm), 8W (≈800 lm), or 15W (≈1,500 lm) available for a minimum of 90 minutes. Please review page 6 for integral or remote EM and test switch options with solutions that allow for EM replacement from below the ceiling.

LABELS/COMPLIANCE/WARRANTY

- CSA listed for US and Canada
- Dry/Damp/Wet location rated
- Chicago Plenum with IC Housing
- 5-year limited warranty



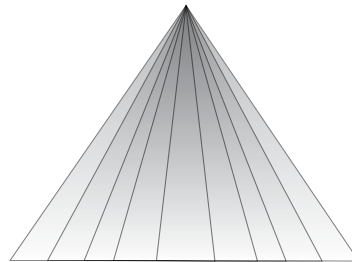
GENERAL PERFORMANCE CHART

*Detailed performance chart may be found on page 2

	6W	9W	12W	15W	20W
Initial Lumens	657/955	890/1296	1122/1618	1267/2015	1485/2422
Delivered Lumens	537-678	729-926	920-1171	1020-1452	1199-1756

* Values are listed at 3000K, 90+ CRI with a white bevel & trim.
Delivered lumens range based on beam spread.
Performance may vary +/- 5%

BEAM SPREAD



Available optics: 17° 35° 40° 50° 55°

- Field replaceable TIR optics
- Easily achieve narrow spot to wide flood beam pattern
- Optional filters available upon request

PRIME FAMILY OF PRODUCTS



Downlight

TechZone®

WoodWorks®

Multiple Dedicated Bevel

Multiple Open Bevel

Cylinder

Square Luminaire

2" LED ARCHITECTURAL SQUARE FLANGE ADJUSTABLE NEW CONSTRUCTION: IC & NON IC

ORDERING INFORMATION

Series	Wattage	Dimming	Color Temperature	Optical Lens	Filter
RPA2	6W - 6 Watt 9W - 9 Watt 12W - 12 Watt 15W - 15 Watt 20W - 20 Watt	ID¹ - Standard All-Inclusive ELV(120V), Triac(120V), and 0-10V(120-277V) Dimming Driver (Intelligent Drive) EEIS² - eldoLED 1% Dim 0-10V (120-127V), Triac (120V) EDIO³ - eldoLED 0.1% Dim (0-10V) EDID³ - eldoLED 0.1% Dim (DALI) EDD³ - eldoLED 1% Dim (DALI2) PEQ0 - Lutron Hi-Lume Premier Ecosystem 0.1% with Soft-on, Fade-to-Black Dimming	27K - 2700K 30K - 3000K 35K - 3500K 40K - 4000K	17⁴ - 17° 35 - 35° 40 - 40° 50 - 50° 55 - 55°	Blank - None F - Frosted Filter H - Honey Comb S - Solite Filter L - Linear Filter

Housing Type	Collar	Module Type	Frame Accessories
IC - IC Air-Tight New Construction NC - Non-IC New Construction	CS10 - 1.0" Depth CS15 - 1.5" Depth MTO - Made To Order	AMH - Adjustable	UH - Universal Bar Hanger C - C-Channel Bar Hanger

Wireless Controls	Options	Notes
AWN - Athena Wireless (Lutron) CLM - Connected Lighting Module (Legrand Wattstopper)	ER4W⁵ - Emergency Battery with Remote test switch (400 lm) ER8W⁶ - Emergency Battery with Remote test switch (800 lm) ER15W⁶ - Emergency Battery with Remote test switch (1,500 lm) 347V - 347V Step down transformer CP⁷ - Chicago Plenum	1. Intelligent Drive is the standard driver. 2. Driver programmed only in linear mode. 3. Must specify logarithmic or linear eldoLED diver. 4. 17° spread without lens on trim. 5. Available in IC housing only. 6. Ceiling access is required for IC housing to replace the EM unit. 7. Requires IC housing.

TRIM ORDERING INFORMATION

DIE-CAST

Bevel / Flange Finish	Trim Type	Bevel	Flange	
May be mixed and matched	2" Square Flange Regress Large Opening	2SFO-CL	W - White	W - White
		2SFO-CL	B - Black	B - Black
		2SFO-CL	H - Haze	BZ - Bronze
		2SFO-CL	BZ - Bronze	MTO - Made To Order
		2SFO-CL	MTO - Made To Order	
	2" Square Flange Accent	2SFA-CL	W - White	W - White
		2SFA-CL	B - Black	B - Black
		2SFA-CL	H - Haze	BZ - Bronze
		2SFA-CL	BZ - Bronze	MTO - Made To Order
		2SFA-CL	MTO - Made To Order	

2" LED ARCHITECTURAL SQUARE FLANGE ADJUSTABLE
NEW CONSTRUCTION: IC & NON IC

PERFORMANCE CHART

Optics		¹ 17°	35°	40°	50°	55°
6W	Initial Lumens	657	955	955	955	955
	Delivered Lumens	537	645	675	672	678
	UGR		16.8	17	20	20.3
9W	Initial Lumens	890	1296	1296	1296	1296
	Delivered Lumens	729	885	925	920	926
	UGR		18.2	18.3	21.2	21.5
12W	Initial Lumens	1122	1618	1618	1618	1618
	Delivered Lumens	920	1123	1171	1170	1169
	UGR		18.7	18.8	22.2	22.3
15W	Initial Lumens	1267	2015	2015	2015	2015
	Delivered Lumens	1020	1371	1410	1452	1415
	UGR		19.5	19.6	21.1	22.4
20W	Initial Lumens	1485	2422	2422	2422	2422
	Delivered Lumens	1199	1662	1706	1756	1714
	UGR		20.2	20.3	21.7	23.1

* Values are listed at 3000K, 90+ CRI with a white bevel & trim.

Notes

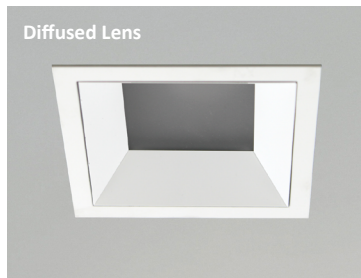
1. 17° spread without lens on trim

COLOR TEMPERATURE MULTIPLIER FOR DELIVERED LUMENS

2700K	3000K	3500K	4000K
0.95	1.00	1.04	1.07

2SFO-CL REGRESS LARGE OPENING

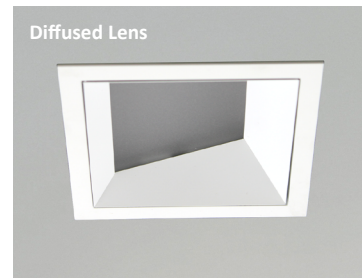
2SFA-CL ACCENT



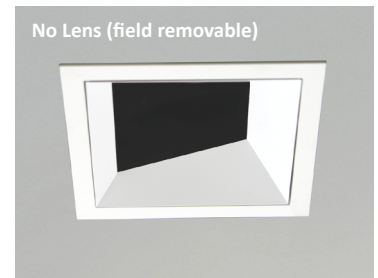
- IES files are based on the open trim with diffused lens.



- Not suitable for wet locations
- Increase in lumens by approximately 7%



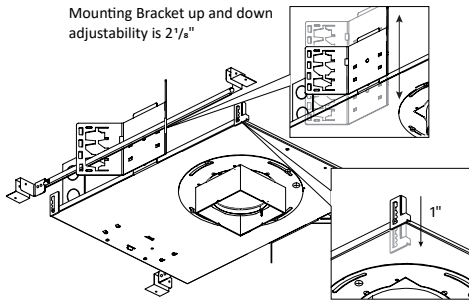
- IES files are based on the large opening trim with diffused lens.



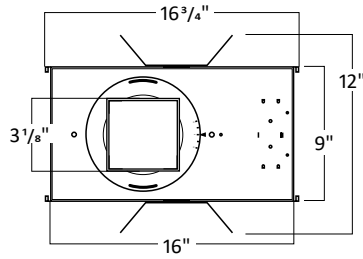
- IES files are based on the open trim with diffused lens.

2" LED ARCHITECTURAL SQUARE FLANGE ADJUSTABLE NEW CONSTRUCTION: IC & NON IC

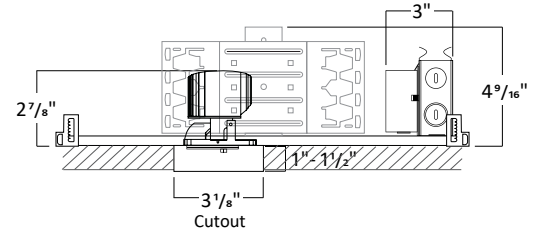
NON-IC HOUSING DIMENSIONS



NC - Non-IC New Construction

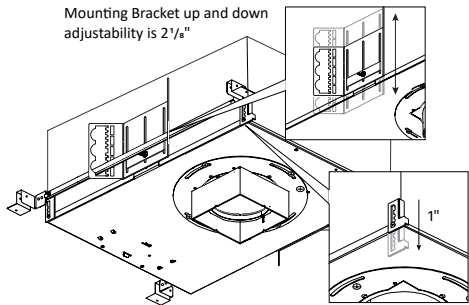


Universal bar hanger mounts on the length or width side of the fixture; Ceiling mount bracket provides 1" adjustability.

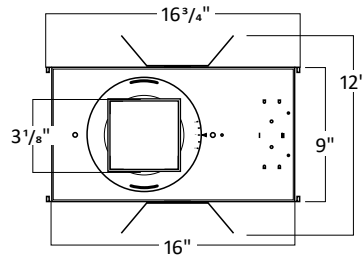


1. Must remove spacer to achieve 1 1/2" collar height
2. Consult factory for Made to Order collar height
3. Allow 1/8" tolerance

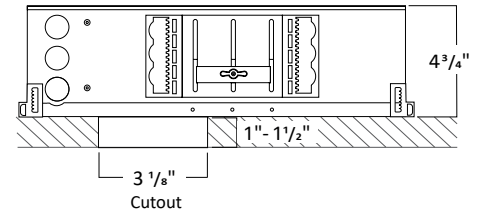
IC HOUSING DIMENSIONS



IC - IC Air-Tight New Construction



Universal bar hanger mounts on the length or width side of the fixture; Ceiling mount bracket provides 1" adjustability.



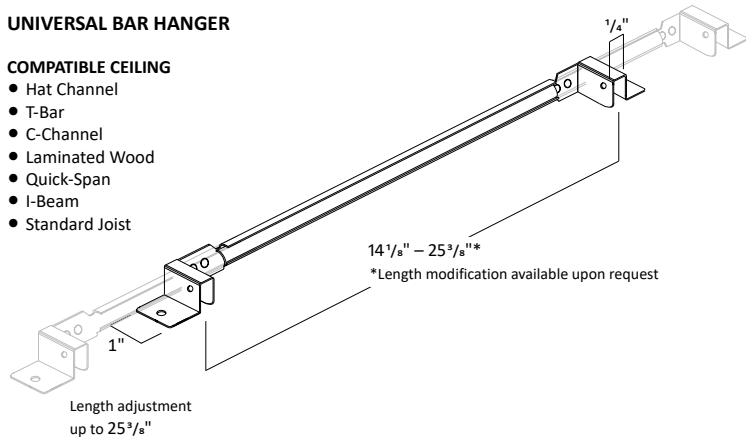
1. Must remove spacer to achieve 1 1/2" collar height
2. Consult factory for Made to Order collar height
3. Allow 1/8" tolerance

FRAME ACCESSORIES

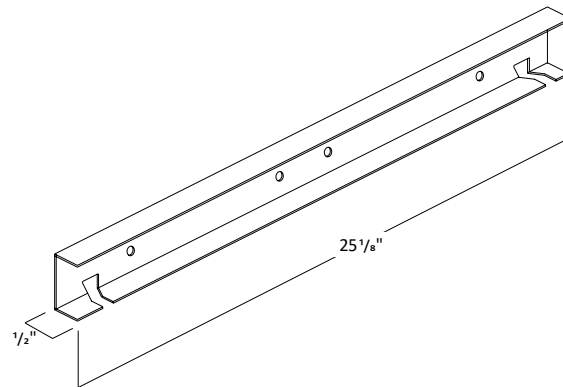
UNIVERSAL BAR HANGER

COMPATIBLE CEILING

- Hat Channel
- T-Bar
- C-Channel
- Laminated Wood
- Quick-Span
- I-Beam
- Standard Joist

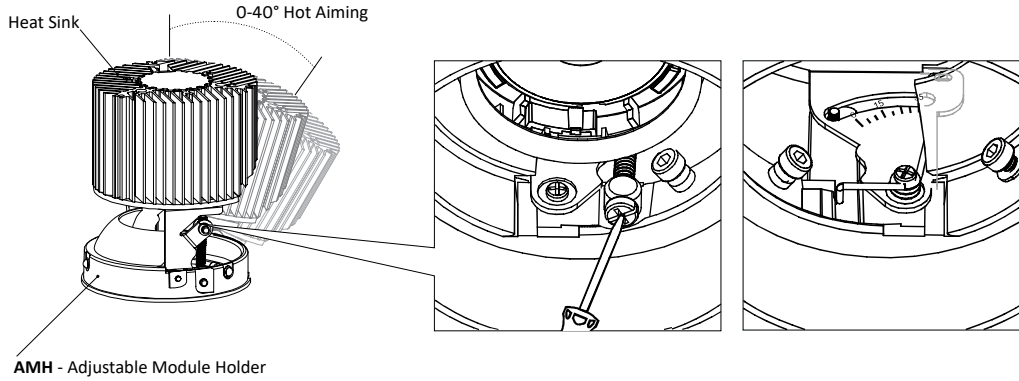


C-CHANNEL BAR HANGER

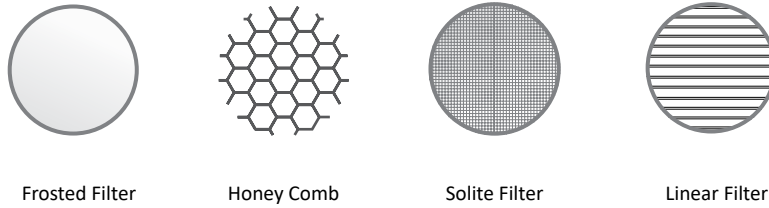


2" LED ARCHITECTURAL SQUARE FLANGE ADJUSTABLE NEW CONSTRUCTION: IC & NON IC

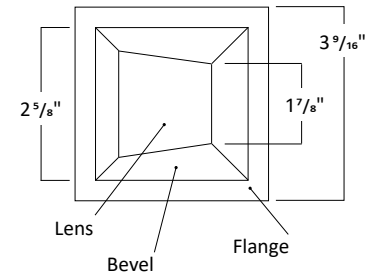
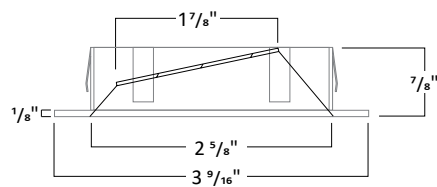
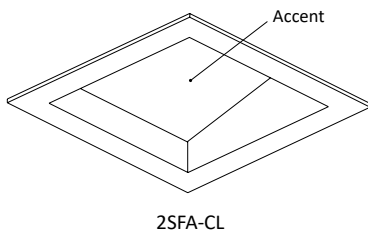
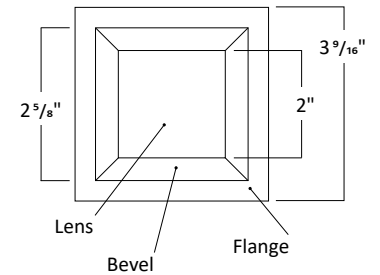
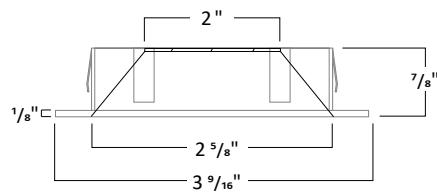
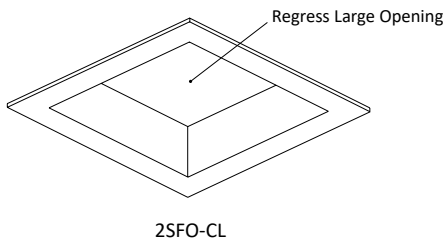
MODULE DIMENSIONS



FILTERS



TRIM DIMENSIONS



TRIM FINISH

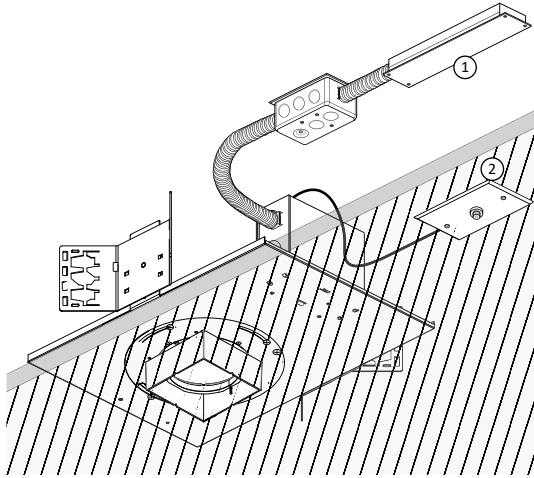
May be mixed and matched



*Consult Factory for Made to Order Finishes

2" LED ARCHITECTURAL SQUARE FLANGE ADJUSTABLE
NEW CONSTRUCTION: IC & NON IC

REMOTE EMERGENCY BATTERY: NON-IC NEW CONSTRUCTION HOUSING

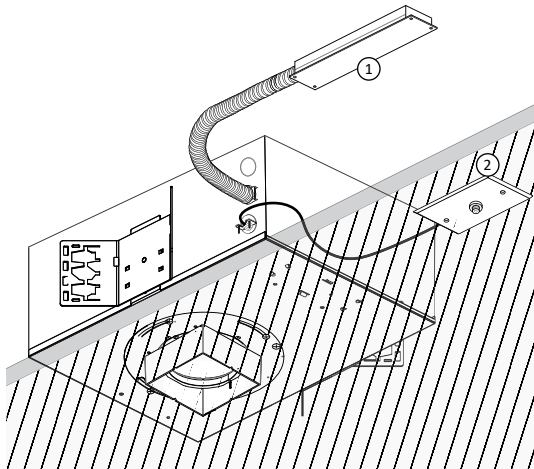


NC - Non-IC New Construction

ER8W and **ER15W** is an 8W and 15W Emergency Battery that is remote to the fixture with a remote test switch. The EM unit is accessible from below the ceiling for replacement purposes.

1. Remote Emergency Battery
2. Remote Test Switch

REMOTE EMERGENCY BATTERY: IC NEW CONSTRUCTION HOUSING

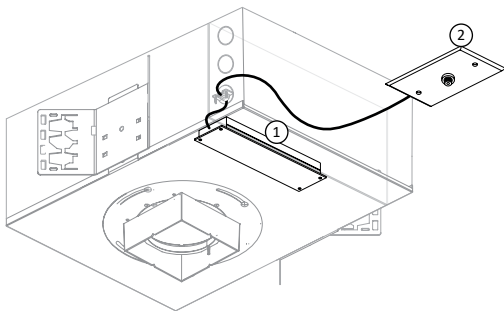


IC - IC Air-Tight New Construction

ER8W and **ER15W** is an 8W and 15W Emergency Battery that is remote to the fixture with a remote test switch. Ceiling access is required for replacement purposes

1. Remote Emergency Battery
2. Remote Test Switch

INTEGRAL EMERGENCY BATTERY: IC NEW CONSTRUCTION HOUSING



IC - IC Air-Tight New Construction

ER4W is an 4W Emergency Battery that is integral to the fixture with an remote test switch. The EM unit is accessible from below the ceiling for replacement purposes.

*Available in IC housing only

1. Integral Emergency Battery
2. Remote Test Switch