

## 2" LED ARCHITECTURAL SQUARE FLANGELESS ADJUSTABLE NEW CONSTRUCTION: IC & NON IC



WARM DIM

### GENERAL INFORMATION

#### USE OF PRODUCT

The 2" Prime Adjustable Warm Dim is a small aperture fixture with a shallow housing height of 4 3/4", which is ideal for residential and commercial applications. Available options include die-cast or spun aluminum trims, various optics, and dimmable drivers. Warm Dim color temperature gradually transitions from 3000K to 1800K simulating natural sunsets.

#### LED ENGINE

LED engine available with Warm Dim standard 90+ CRI. 2-step MacAdam ellipse allows for color consistency between fixtures. The LED is mounted to an aluminum heat sink for maximum life output and thermal management. Light engine provides a quick disconnect with locking strain relief to housing.

#### OPTICAL LENS

Field replaceable optical lenses are available in 35°, 40°, 50°, and 55°. Easily achieve narrow spot to wide flood beam pattern.

#### FRAME CONSTRUCTION

IC and Non-IC rated housing are constructed from a 16-gauge heavy-duty, powder-coated cold-rolled steel frame and includes a junction box with 1/2" knockouts. Butterfly brackets (included) accommodate universal or C-channel hangers (order separately).

#### ADJUSTMENT

- Light engine allows for hot aiming from 0-40°.
- Housing supports 359° locking rotation.
- Aperture collar compatible up to 1 1/2" ceiling thickness. Consult factory for made-to-order aperture collars exceeding 1 1/2".

#### DIMMING

Available in six driver selections. (ID) Standard all-inclusive ELV (120V), Triac (120V), and 0-10V (120-277V) dimming driver called Intelligent Drive. (EEIS) eldoLED 1% Dim 0-10V (120-277V), Triac (120V), Max 20W. (EDIO) eldoLED 0.1% Dim (0-10V), 120-277V. (EDID) eldoLED 0.1% Dim (DALI), (EDD) eldoLED 1% Dim (DALI2), (PEQ0) Lutron Hi-Lume Premier Ecosystem 0.1% with Soft-on, Fade-to-Black Dimming. Drivers are accessible from below the ceiling.

#### BEVEL

Bevel includes standard frosted acrylic diffuser. Remove standard frosted acrylic diffuser in field for 7% lumens increase. Consult factory for made-to-order finishes. Wet location for bathrooms and showers with standard lens on trim.

#### EMERGENCY BATTERY

Optional Emergency Battery (EM) available in 4W (≈400 lm), 8W (≈800 lm), or 15W (≈1,500 lm) available for a minimum of 90 minutes. Please review page 7 for integral or remote EM and test switch options with solutions that allow for EM replacement from below the ceiling.

#### LABELS/COMPLIANCE/WARRANTY

- CSA listed for US and Canada
- Dry/Damp/Wet location rated
- Chicago Plenum with IC Housing
- 5-year limited warranty



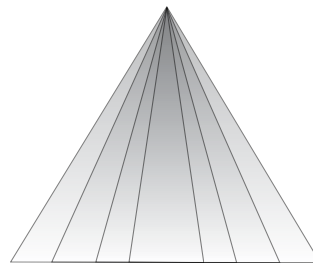
### GENERAL PERFORMANCE CHART

\*Detailed performance chart may be found on page 3

	6W	9W	12W	15W
<b>Initial Lumens</b>	597	847	1122	1360
<b>Delivered Lumens</b>	420-436	595-622	784-821	937-984

\* Values are listed at 3000K, 90+ CRI with a white bevel & trim.  
Delivered lumens range based on beam spread.  
Performance may vary +/- 5%

### BEAM SPREAD



Available optics: 35° 40° 50° 55°

- Field replaceable TIR optics
- Easily achieve narrow spot to wide flood beam pattern
- Optional filters available upon request

### PRIME FAMILY OF PRODUCTS



Downlight      TechZone®      WoodWorks®      Multiple Dedicated Bevel      Multiple Open Bevel      Cylinder      Square Luminaire

## 2" LED ARCHITECTURAL SQUARE FLANGELESS ADJUSTABLE NEW CONSTRUCTION: IC & NON IC

### ORDERING INFORMATION

Series	Wattage	Dimming	Color Temperature	Optical Lens	Filter
RPA2	<b>6W</b> - 6 Watt <b>9W</b> - 9 Watt <b>12W</b> - 12 Watt <b>15W</b> - 15 Watt	<b>ID<sup>1</sup></b> - Standard All-Inclusive ELV(120V), Triac(120V), and 0-10V(120-277V) Dimming Driver (Intelligent Drive) <b>EEIS<sup>2</sup></b> - eldoLED 1% Dim 0–10V (120-127V), Triac (120V) <b>EDIO<sup>3</sup></b> - eldoLED 0.1% Dim (0–10V) <b>EDID<sup>3</sup></b> - eldoLED 0.1% Dim (DALI) <b>EDD<sup>3</sup></b> - eldoLED 1% Dim (DALI2) <b>PEQO<sup>3</sup></b> - Lutron Hi-Lume Premier Ecosystem 0.1% with Soft-on, Fade-to-Black Dimming	<b>WD</b> - Warm Dim	<b>35</b> - 35° <b>40</b> - 40° <b>50</b> - 50° <b>55</b> - 55°	<b>Blank</b> - None <b>F</b> - Frosted Filter <b>H</b> - Honey Comb <b>S</b> - Solite Filter <b>L</b> - Linear Filter

Housing Type	Collar	Module Type	Trim Style	Frame Accessories
<b>IC</b> - IC Air-Tight New Construction <b>NC</b> - Non-IC New Construction	<b>CS10</b> - 1.0" Depth <b>CS15</b> - 1.5" Depth <b>MTO</b> - Made To Order	<b>AMH</b> - Adjustable	<b>LPS</b> - Flangeless Plaster <b>LDMS</b> - Flangeless Millwork with Dedicated Collar	<b>UH</b> - Universal Bar Hanger <b>C</b> - C-Channel Bar Hanger

Options	Wireless Controls	Notes
<b>ER4W<sup>4</sup></b> - Emergency Battery with Remote test switch (400 lm) <b>ER8W<sup>5</sup></b> - Emergency Battery with Remote test switch (800 lm) <b>ER15W<sup>5</sup></b> - Emergency Battery with Remote test switch (1,500 lm) <b>347V</b> - 347V Step down transformer <b>CP<sup>6</sup></b> - Chicago Plenum	<b>AWN</b> - Athena Wireless (Lutron) <b>CLM</b> - Connected Lighting Module (Legrand Wattstopper)	1. Intelligent Drive is the standard driver. 2. Driver programmed only in linear mode. 3. Must specify logarithmic or linear eldoLED driver. 4. Available in IC housing only. 5. Ceiling access is required for IC housing to replace the EM unit. 6. Requires IC housing.

### TRIM ORDERING INFORMATION

#### DIE-CAST

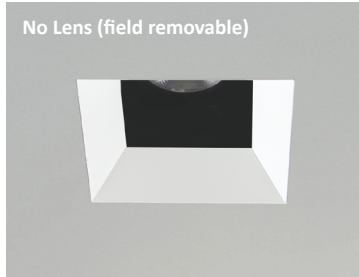
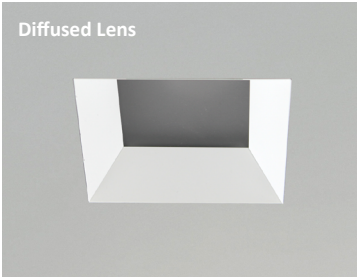
Bevel Finish	Bevel	Finish
2" Square Flangeless Regress Large Opening	2SLO-CL	<b>W</b> - White
	2SLO-CL	<b>B</b> - Black
	2SLO-CL	<b>H</b> - Haze
	2SLO-CL	<b>BZ</b> - Bronze
	2SLO-CL	<b>MTO</b> - Made To Order
2" Square Flangeless Accent	2SLA-CL	<b>W</b> - White
	2SLA-CL	<b>B</b> - Black
	2SLA-CL	<b>H</b> - Haze
	2SLA-CL	<b>BZ</b> - Bronze
	2SLA-CL	<b>MTO</b> - Made To Order

## PERFORMANCE CHART

Optics		35°	40°	50°	55°
6W	Initial Lumens	597	597	597	597
	Delivered Lumens	420	434	436	431
9W	Initial Lumens	847	847	847	847
	Delivered Lumens	595	616	622	612
12W	Initial Lumens	1122	1122	1122	1122
	Delivered Lumens	784	812	821	811
15W	Initial Lumens	1360	1360	1360	1360
	Delivered Lumens	937	978	982	984

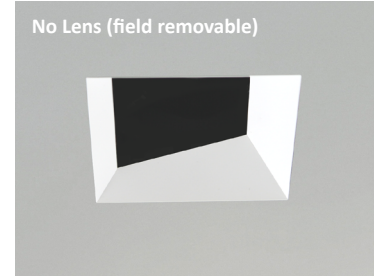
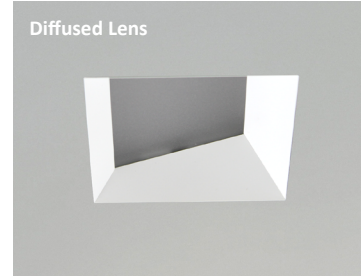
## 2SLO-CL REGRESS LARGE OPENING

## 2SLA-CL ACCENT



- IES files are based on the open trim with diffused lens.

- Not suitable for wet locations
- Increase in lumens by approximately 7%

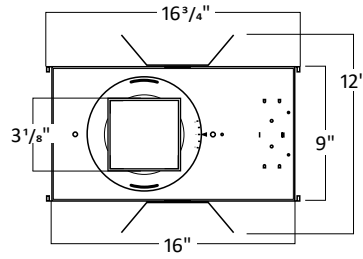
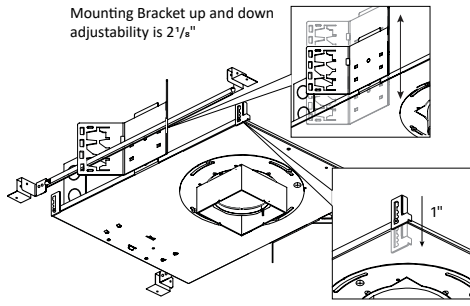


- IES files are based on the large opening trim with diffused lens.

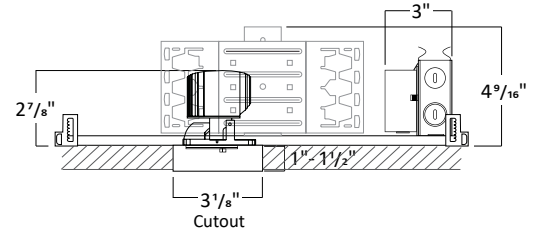
- IES files are based on the open trim with diffused lens.

## 2" LED ARCHITECTURAL SQUARE FLANGELESS ADJUSTABLE NEW CONSTRUCTION: IC & NON IC

### NON-IC HOUSING DIMENSIONS

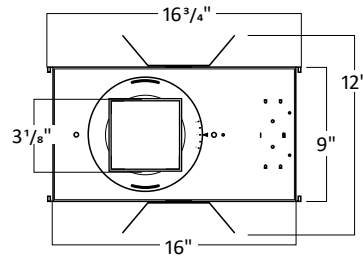
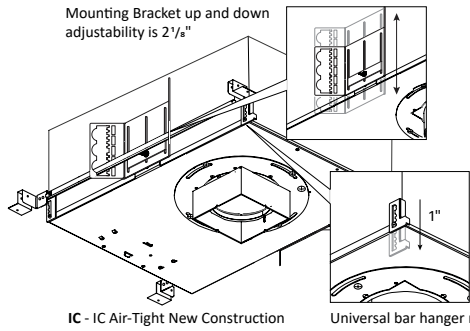


Universal bar hanger mounts on the length or width side of the fixture;  
Ceiling mount bracket provides 1" adjustability.

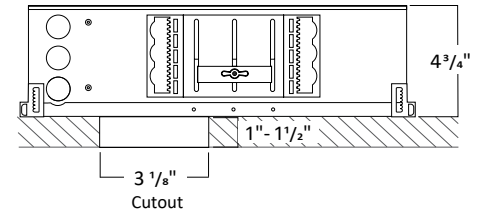


1. Must remove spacer to achieve 1 1/2" collar height
2. Consult factory for Made to Order collar height
3. Allow 1/8" tolerance

### IC HOUSING DIMENSIONS



Universal bar hanger mounts on the length or width side of the fixture;  
Ceiling mount bracket provides 1" adjustability.



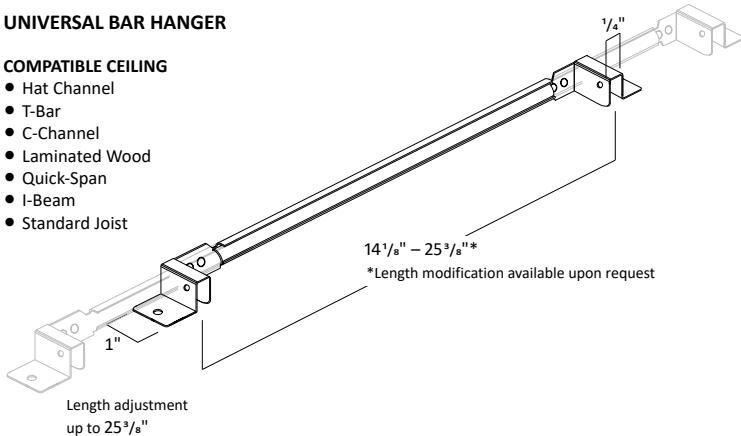
1. Must remove spacer to achieve 1 1/2" collar height
2. Consult factory for Made to Order collar height
3. Allow 1/8" tolerance

### FRAME ACCESSORIES

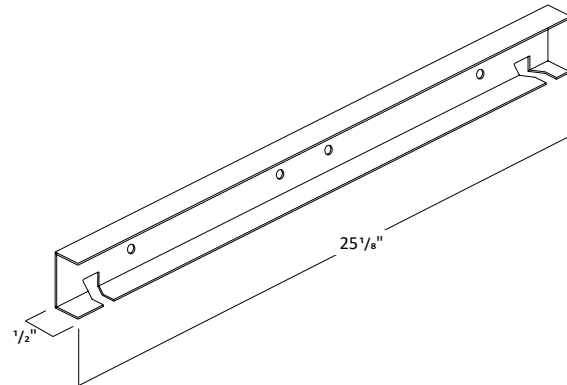
#### UNIVERSAL BAR HANGER

##### COMPATIBLE CEILING

- Hat Channel
- T-Bar
- C-Channel
- Laminated Wood
- Quick-Span
- I-Beam
- Standard Joist

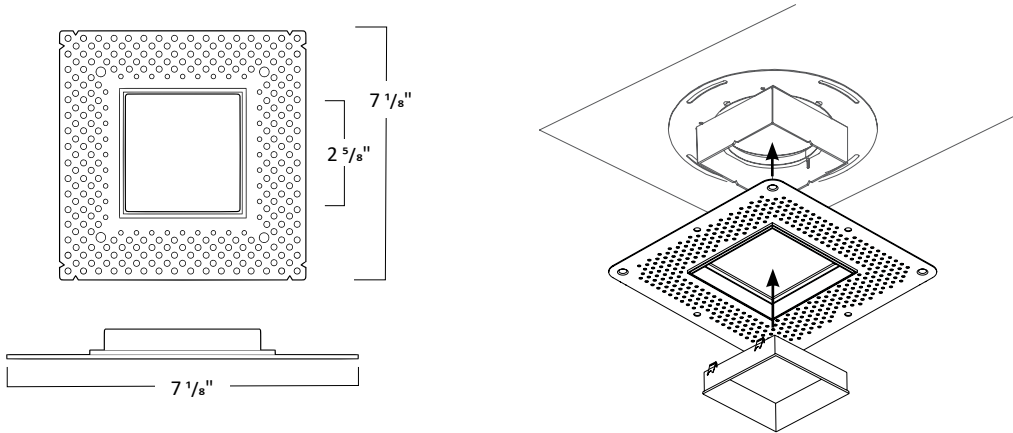


#### C-CHANNEL BAR HANGER

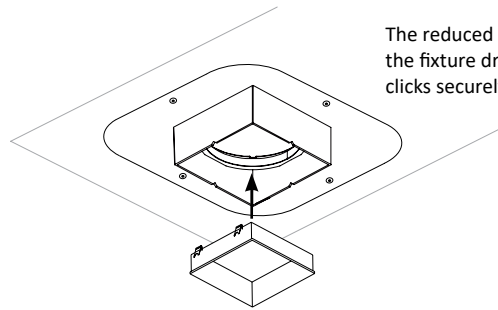
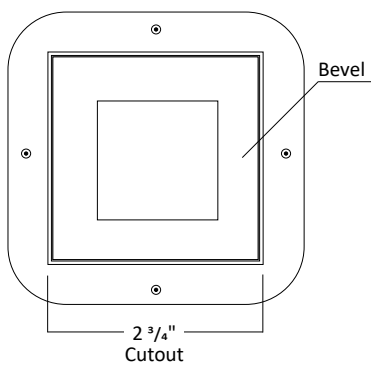


2" LED ARCHITECTURAL SQUARE FLANGELESS ADJUSTABLE  
NEW CONSTRUCTION: IC & NON IC

## FLANGELESS PLASTER (LPS)



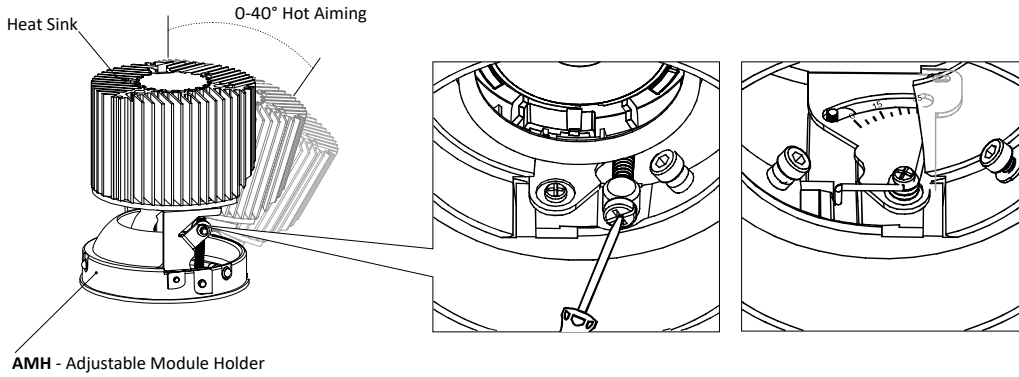
## FLANGELESS MILLWORK WITH DEDICATED COLLAR (LDMS)



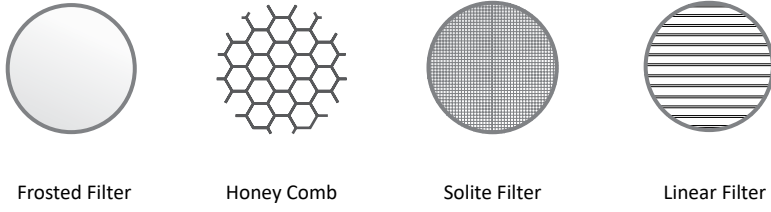
The reduced collar diameter allows for easy installation; the fixture drops into the ceiling opening and the bevel clicks securely into the collar.

2" LED ARCHITECTURAL SQUARE FLANGELESS ADJUSTABLE  
NEW CONSTRUCTION: IC & NON IC

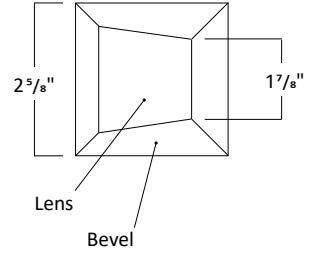
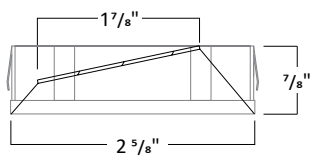
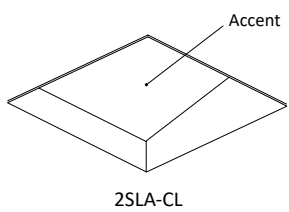
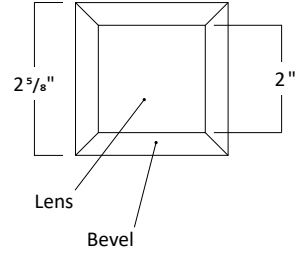
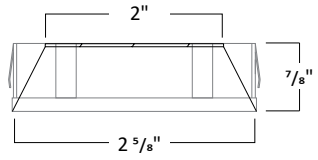
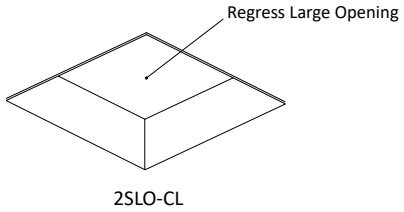
## LED MODULE



## FILTERS



## TRIM DIMENSIONS



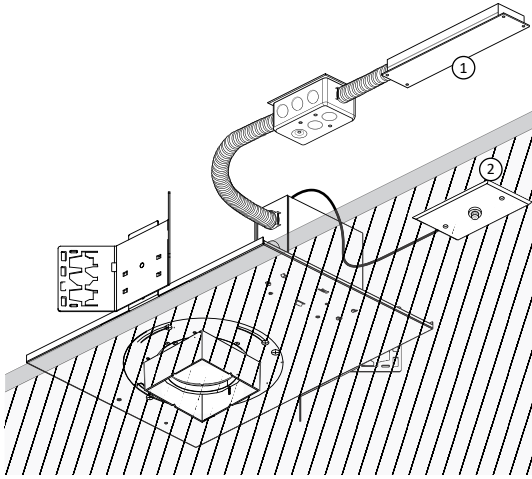
## TRIM FINISH



\*Consult Factory for Made to Order Finishes

2" LED ARCHITECTURAL SQUARE FLANGELESS ADJUSTABLE  
NEW CONSTRUCTION: IC & NON IC

## REMOTE EMERGENCY BATTERY: NON-IC NEW CONSTRUCTION HOUSING

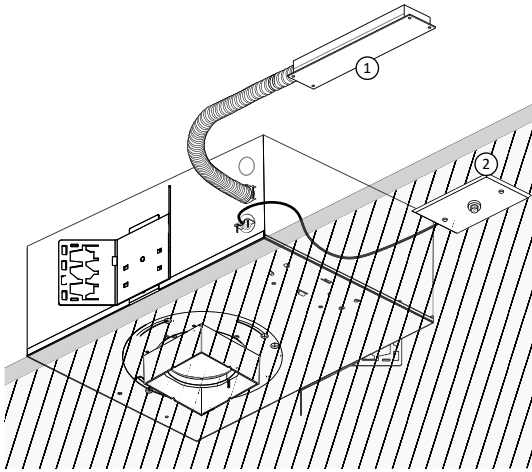


**NC** - Non-IC New Construction

**ER8W** and **ER15W** is an 8W and 15W Emergency Battery that is remote to the fixture with a remote test switch. The EM unit is accessible from below the ceiling for replacement purposes.

1. Remote Emergency Battery
2. Remote Test Switch

## REMOTE EMERGENCY BATTERY: IC NEW CONSTRUCTION HOUSING

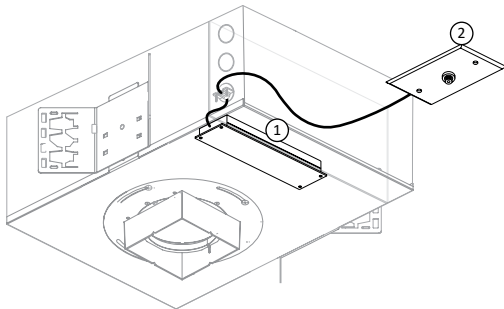


**IC** - IC Air-Tight New Construction

**ER8W** and **ER15W** is an 8W and 15W Emergency Battery that is remote to the fixture with a remote test switch. Ceiling access is required for replacement purposes

1. Remote Emergency Battery
2. Remote Test Switch

## INTEGRAL EMERGENCY BATTERY: IC NEW CONSTRUCTION HOUSING



**IC** - IC Air-Tight New Construction

**ER4W** is an 4W Emergency Battery that is integral to the fixture with an remote test switch. The EM unit is accessible from below the ceiling for replacement purposes.

\*Available in IC housing only

1. Integral Emergency Battery
2. Remote Test Switch