

2" ARCHITECTURAL ROUND FLANGE DOWNLIGHT COMPATIBLE WITH 4" TECHZONE® CEILINGS (SILHOUETTE®, SUPRAFINE®, INTERLUDE®, OR PRELUDE®) BY ARMSTRONG®



### USE OF PRODUCT

The 2" Prime Downlight is a small aperture fixture which is compatible with 4" TechZone® ceilings. Allows for seamless installation and integration of luminaires with Silhouette®, Suprafine®, Interlude®, or Prelude® ceiling types offered by Armstrong®. Available options include die-cast trims, various temperatures, optics, and dimmable drivers.

### LED ENGINE

LED engine available with CREE LEDs in 2700K, 3000K, 3500K, or 4000K in standard 90+ CRI. 2-step MacAdam ellipse allows for color consistency between fixtures. The LED is mounted to an aluminum heat sink for maximum life output and thermal management. LED engine is accessible from below the ceiling.

### FRAME CONSTRUCTION

Non IC housing constructed from 20-gauge cold-rolled steel and includes a junction box with ½" knockouts. Integrated mounting brackets that will snap directly into 4" TechZone® ceiling grids. Compatible with the following series: Silhouette®, Suprafine®, Interlude®, or Prelude®.

### GENERAL PERFORMANCE CHART

\*Detailed performance chart may be found on page 2

	6W	9W	12W	15W	20W
<b>Initial Lumens</b>	657/955	890/1296	1122/1618	1267/2015	1485/2422
<b>Delivered Lumens</b>	599-784	809-1074	969-1360	1094-1685	1284-2070

\* Values are listed at 3000K, 90+ CRI with a white bevel & trim.  
Delivered lumens range based on beam spread.  
Performance may vary +/- 5%

### OPTICAL LENS

Field replaceable optical lenses are available in 12°, 30°, 35°, 40°, and 50° Easily achieve narrow spot to wide flood beam pattern.

### DIMMING

Available in six driver selections. (ID) Standard all-inclusive ELV (120V), Triac (120V), and 0-10V (120-277V) dimming driver called Intelligent Drive. (EEIS) eldoLED 1% Dim 0-10V (120-277V), Triac (120V), Max 20W. (EDIO) eldoLED 0.1% Dim (0-10V), 120-277V. (EDID) eldoLED 0.1% Dim (DALI), (EDD) eldoLED 1% Dim (DALI2), (PEQ0) Lutron Hi-Lume Premier Ecosystem 0.1% with Soft-on, Fade-to-Black Dimming. Drivers are accessible from below the ceiling.

### THERMAL MANAGEMENT

Fixture location ambient temperature should not exceed -20° to 40°C.

### TRIM

Flange trims available in die-cast and includes standard frosted acrylic diffuser. Remove standard frosted acrylic diffuser in field for 7% lumens increase. Consult factory for made-to-order finishes. Wet location for bathrooms and showers with standard lens on trim.

### EMERGENCY BATTERY

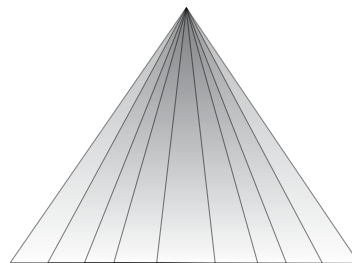
Optional Emergency Battery (EM) available in 8W (~800 lm), or 15W (~1,500 lm) available for a minimum of 90 minutes.

### LABELS/COMPLIANCE/WARRANTY

- CSA Listed for US and Canada.
- Energy Star certified product.
- Dry/Damp location rated.
- 5-year limited warranty.



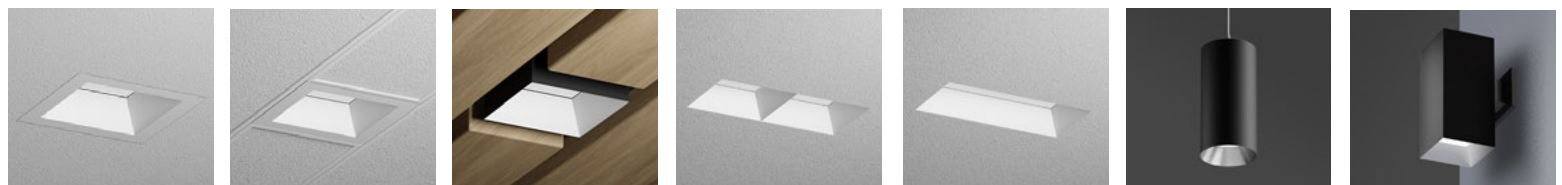
### BEAM SPREAD



Available optics: 12° 30° 35° 40° 50°

- Field replaceable TIR optics
- Easily achieve narrow spot to wide flood beam pattern
- Optional filters available upon request

### PRIME FAMILY OF PRODUCTS



Downlight

TechZone®

WoodWorks®

Multiple Dedicated Bevel

Multiple Open Bevel

Cylinder

Square Luminaire

2" ARCHITECTURAL ROUND FLANGE DOWNLIGHT COMPATIBLE WITH 4" TECHZONE® CEILINGS  
(SILHOUETTE®, SUPRAFINE®, INTERLUDE®, OR PRELUDE®) BY ARMSTRONG®

## ORDERING INFORMATION

Series	Wattage	Dimming	Color Temperature	Optical Lens	Filter
RPA2	6W - 6 Watt 9W - 9 Watt 12W - 12 Watt 15W - 15 Watt 20W - 20 Watt	ID <sup>3</sup> - Standard All-Inclusive ELV(120V), Triac(120V), and 0-10V(120-277V) Dimming Driver (Intelligent Drive) EEIS <sup>2</sup> - eldoLED 1% Dim 0-10V (120-127V), Triac (120V) EDIO <sup>3</sup> - eldoLED 0.1% Dim (0-10V) EDID <sup>3</sup> - eldoLED 0.1% Dim (DALI) EDD <sup>3</sup> - eldoLED 1% Dim (DALI2) PEQO - Lutron Hi-Lume Premier Ecosystem 0.1% with Soft-on, Fade-to-Black Dimming	27 - 2700K 30 - 3000K 35 - 3500K 40 - 4000K	12 <sup>1</sup> - 12° 30 - 30° 35 - 35° 40 - 40° 50 - 50°	None - Leave Blank F - Frosted Filter H - Honey Comb S - Solite Filter L - Linear Filter

Housing Type	Collar	Module Type	Frame Accessories	Options
TZ4 - 4" TechZone® Ceiling	CR10 - 1.0" Depth CR15 - 1.5" Depth MTO - Made To Order	FMH - Downlight	UH - Universal Bar Hanger	ER8W - Emergency Battery with Remote test switch (800 lm) ER15W - Emergency Battery with Remote test switch (1,500 lm)

## TRIM ORDERING INFORMATION

### DIE-CAST

Bevel / Flange Finish	Trim Type	Bevel	Flange
May be mixed and matched	2" Round Flange Open	W - White B - Black H - Haze BZ - Bronze MTO - Made To Order	W - White B - Black BZ - Bronze MTO - Made To Order

**Notes**  
 1. Intelligent Drive is the standard driver.  
 2. Not offered in 6W.  
 3. Must specify logarithmic or linear eldoLED diver.  
 4. 12° spread without lens on trim.

## PERFORMANCE CHART

Optics		12° <sup>1</sup>	30°	35°	40°	50°
6W	Initial Lumens	657	955	955	955	955
	Delivered Lumens	599	730	784	774	745
	UGR		16.6	14.9	18	19.3
9W	Initial Lumens	890	1296	1296	1296	1296
	Delivered Lumens	809	995	1074	1065	1014
	UGR		17.7	16	19.2	20.3
12W	Initial Lumens	1122	1618	1618	1618	1618
	Delivered Lumens	969	1249	1360	1353	1272
	UGR		18.5	16.9	20.2	21.8
15W	Initial Lumens	1267	2015	2015	2015	2015
	Delivered Lumens	1094	1533	1685	1614	1580
	UGR		18.8	17.5	20.9	22.8
20W	Initial Lumens	1485	2422	2422	2422	2422
	Delivered Lumens	1284	1858	2070	1956	1916
	UGR		19.4	18.3	21.6	23.5

\* Values are listed at 3000K, 90+ CRI with a white bevel & trim.

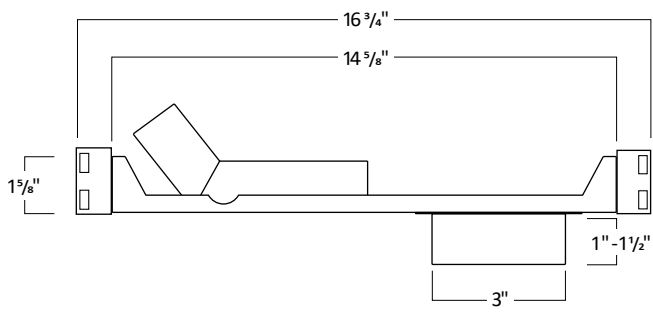
**Notes**  
 1. 12° spread without lens on trim

## COLOR TEMPERATURE MULTIPLIER FOR DELIVERED LUMENS

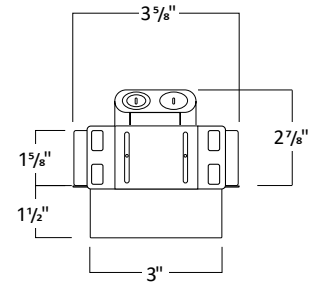
2700K	3000K	3500K	4000K
0.95	1.00	1.04	1.07

2" ARCHITECTURAL ROUND FLANGE DOWNLIGHT COMPATIBLE WITH 4" TECHZONE® CEILINGS (SILHOUETTE®, SUPRAFINE®, INTERLUDE®, OR PRELUDE®) BY ARMSTRONG®

## HOUSING DIMENSIONS



1. Must remove spacer to achieve 1 1/2" collar height
2. Consult factory for Made to Order collar height
3. Allow 1/8" tolerance

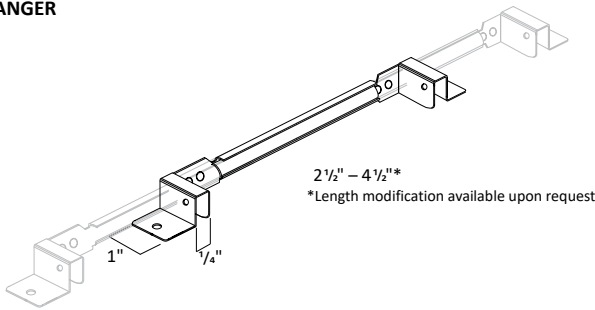


## FRAME ACCESSORIES

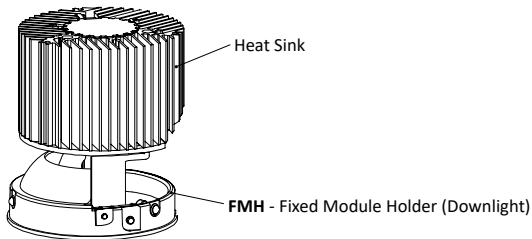
### UNIVERSAL BAR HANGER

#### COMPATIBLE CEILING

- Hat Channel
- T-Bar
- C-Channel
- Laminated Wood
- Quick-Span
- I-Beam
- Standard Joist

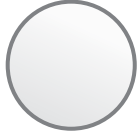


## MODULE DIMENSIONS

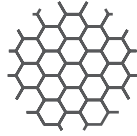


2" ARCHITECTURAL ROUND FLANGE DOWNLIGHT COMPATIBLE WITH 4" TECHZONE® CEILINGS  
(SILHOUETTE®, SUPRAFINE®, INTERLUDE®, OR PRELUDE®) BY ARMSTRONG®

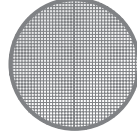
## FILTERS



Frosted Filter



Honey Comb

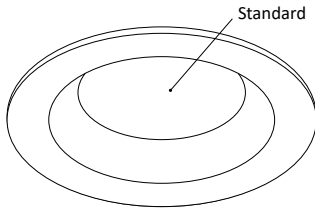


Solite Filter

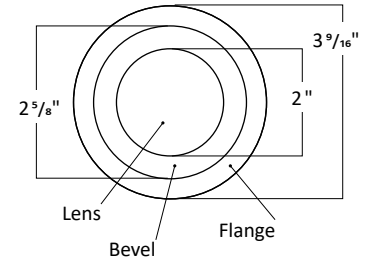
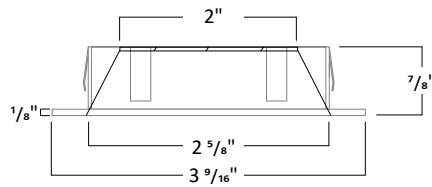


Linear Filter

## TRIM DIMENSIONS



2RFO-CL



## TRIM FINISH

May be mixed and matched



\*Consult Factory for Made to Order Finishes