

## 3" LED ARCHITECTURAL ROUND FLANGE DOWNLIGHT NEW CONSTRUCTION: IC & NON IC



### GENERAL INFORMATION

#### USE OF PRODUCT

The 3" Prime Downlight is a small aperture fixture with a shallow housing height of 4 3/4", which is ideal for residential and commercial applications. Available options include die-cast or spun aluminum trims, various color temperatures, optics, filters, and dimmable drivers.

#### LED ENGINE

LED engine available in 2700K, 3000K, 3500K, or 4000K in standard 90+ CRI. 2-step MacAdam ellipse allows for color consistency between fixtures. The LED is mounted to an aluminum heat sink for maximum life output and thermal management. LED engine is accessible from below the ceiling.

#### OPTICAL LENS

Field replaceable optical lenses are available in 12°, 25°, 30°, 40°, 50°, and 70°. Easily achieve narrow spot to wide flood beam pattern.

#### FRAME CONSTRUCTION

IC and Non-IC rated housing are constructed from a 16-gauge heavy-duty, powder-coated cold-rolled steel frame and includes a junction box with 1/2" knockouts. Butterfly brackets (included) accommodate universal or C-channel hangers (order separately).

#### ADJUSTMENT

- Housing supports 359° locking rotation.
- Aperture collar compatible up to 1 1/2" ceiling thickness. Consult factory for made-to-order aperture collars exceeding 1 1/2".

#### DIMMING

Available in nine driver selections. (ID) Standard all-inclusive ELV (120V), Triac (120V), and 0-10V (120-277V) dimming driver called Intelligent Drive, (EEI) eldoLED 1% Dim 0-10V, (EELS) eldoLED 1% Dim 0-10V (120-277V) and Triac (120V), Max 20W, (EDIO) eldoLED 0.1 Dim 0-10V, (EDID) eldoLED 0.1% Dim DALI, (EDD) eldoLED 1% Dim DALI2, (LDE1) Lutron Hi-Lume 1% Ecosystem with Soft-on, Fade-to-Black Dimming, (L3DA) Hi-Lume 1% Ecosystem/3-Wire L3D Driver, (PEQ0) Lutron Hi-Lume Premier Ecosystem 0.1% with Soft-on, Fade-to-Black Dimming.

#### TRIM

Flange trims available in die-cast or spun aluminum. Trim includes standard frosted acrylic diffuser. Remove standard frosted acrylic diffuser in field for 7% lumens increase. Consult factory for made-to-order finishes. Wet location for bathrooms and showers with standard lens on trim.

#### EMERGENCY BATTERY

Optional Emergency Battery (EM) available in 4W (≈400 lm), 8W (≈800 lm), or 15W (≈1,500 lm) available for a minimum of 90 minutes. Please review page 7 for integral or remote EM and test switch options with solutions that allow for EM replacement from below the ceiling.

#### LABELS/COMPLIANCE/WARRANTY

- CSA listed for US and Canada
- Energy Star certified product
- Dry/Damp/Wet location rated
- State of California Title 24 and JA8 compliant
- Chicago Plenum with IC Housing
- 5-year limited warranty



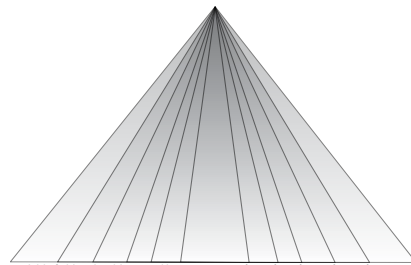
### GENERAL PERFORMANCE CHART

\*Detailed performance chart may be found on page 3

	6W	9W	12W	15W	20W	24W	28W	32W
<b>Initial Lumens</b>	657/955	890/1296	1122/1618	1267/2015	1485/2422	2799	3128	3405
<b>Delivered Lumens</b>	586-755	794-1038	999-1319	1060-1642	1244-1985	1713-2296	1914-2569	2080-2785

\* Values are listed at 3000K, 90+ CRI with a white bevel & trim.  
Delivered lumens range based on beam spread.  
Performance may vary +/- 5%

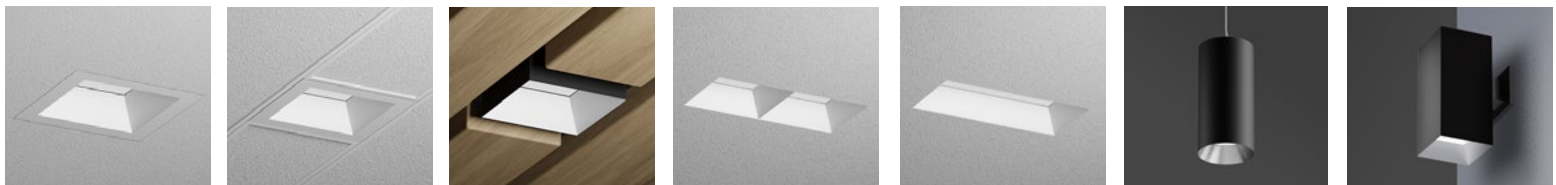
### BEAM SPREAD



Available optics: 12° 25° 30° 40° 50° 70°

- Field replaceable TIR optics
- Easily achieve narrow spot to wide flood beam pattern
- Optional filters available upon request

### PRIME FAMILY OF PRODUCTS



Downlight      TechZone®      WoodWorks®      Multiple Dedicated Bevel      Multiple Open Bevel      Cylinder      Square Luminaire

Integer Lights continually works to improve products and reserves the right to make changes which may alter the performance, appearance or specification of products.

## 3" LED ARCHITECTURAL ROUND FLANGE DOWNLIGHT NEW CONSTRUCTION: IC & NON IC

### ORDERING INFORMATION

Series	Wattage	Dimming	Color Temperature	Optical Lens	Filter
RPA3	<b>6W</b> - 6 Watt <b>9W</b> - 9 Watt <b>12W</b> - 12 Watt <b>15W</b> - 15 Watt <b>20W</b> - 20 Watt <b>24W</b> - 24 Watt <b>28W<sup>1</sup></b> - 28 Watt <b>32W<sup>1</sup></b> - 32 Watt	<b>ID<sup>2</sup></b> - Standard All-Inclusive ELV, Triac, and 0-10V Dimming Driver (Intelligent Drive) <b>EEI<sup>3</sup></b> - eldoLED 1% Dim (0-10V) <b>EEIS<sup>4</sup></b> - eldoLED 1% Dim 0-10V (120-277V), Triac (120V), Max 20W <b>EDIO<sup>3</sup></b> - eldoLED 0.1% Dim (0-10V) <b>EDID<sup>3</sup></b> - eldoLED 0.1% Dim (DALI) <b>EDD<sup>3</sup></b> - eldoLED 1% Dim (DALI2) <b>LDE1<sup>5</sup></b> - Lutron Hi-Lume 1% Ecosystem with Soft-on, Fade-to-Black Dimming <b>L3DA<sup>5</sup></b> - Hi-Lume 1% Ecosystem/3-Wire L3D Driver <b>PEQO</b> - Lutron Hi-Lume Premier Ecosystem 0.1% with Soft-on, Fade-to-Black Dimming	<b>27K</b> - 2700K <b>30K</b> - 3000K <b>35K</b> - 3500K <b>40K</b> - 4000K	<b>12<sup>6,7</sup></b> - 12° <b>25</b> - 25° <b>30</b> - 30° <b>40</b> - 40° <b>50</b> - 50° <b>70</b> - 70°	<b>Blank</b> - None <b>F</b> - Frosted Filter <b>H</b> - Honey Comb <b>S</b> - Solite Filter <b>L</b> - Linear Filter

Housing Type	Collar	Module Type	Frame Accessories	Options
<b>IC<sup>8</sup></b> - IC Air-Tight New Construction <b>NC</b> - Non-IC New Construction	<b>CR10</b> - 1.0" Depth <b>CR15</b> - 1.5" Depth <b>MTO</b> - Made To Order	<b>FMH</b> - Downlight	<b>UH</b> - Universal Bar Hanger <b>C</b> - C-Channel Bar Hanger	<b>ER4W<sup>9</sup></b> - Emergency Battery with Remote test switch (400 lm) <b>ER8W<sup>10</sup></b> - Emergency Battery with Remote test switch (800 lm) <b>ER15W<sup>10</sup></b> - Emergency Battery with Remote test switch (1,500 lm) <b>347V</b> - 347V Step down transformer <b>CP<sup>11</sup></b> - Chicago Plenum

### TRIM ORDERING INFORMATION

#### DIE-CAST

Bevel / Flange Finish	Trim Type	Bevel	Flange
May be mixed and matched <b>3" Round Flange Open Large</b>	3RFO-CL	<b>W</b> - White	<b>W</b> - White
	3RFO-CL	<b>B</b> - Black	<b>B</b> - Black
	3RFO-CL	<b>H</b> - Haze	<b>BZ</b> - Bronze
	3RFO-CL	<b>BZ</b> - Bronze	<b>MTO</b> - Made To Order
	3RFO-CL	<b>MTO</b> - Made To Order	
<b>3" Round Flange Open Small</b>	3RFO-CS	<b>W</b> - White	<b>W</b> - White
	3RFO-CS	<b>B</b> - Black	<b>B</b> - Black
	3RFO-CS	<b>H</b> - Haze	<b>BZ</b> - Bronze
	3RFO-CS	<b>BZ</b> - Bronze	<b>MTO</b> - Made To Order
	3RFO-CS	<b>MTO</b> - Made To Order	

#### Notes

- Not available in IC housing.
- Intelligent Drive is the standard driver.
- Must specify logarithmic or linear eldoLED driver.
- Driver available up to 20W and programmed only in linear mode.
- Not offered in 6W.
- 12° available up to 20W.
- 12° spread without lens on trim.
- Not available in 28W and 32W.
- Available in IC housing only.
- Ceiling access is required for IC housing to replace the EM unit.
- Requires IC housing.

#### SPUN ALUMINUM (SELF-FLANGED)

Bevel / Flange Finish	Trim Type	Self-Flanged
<b>3" Round Flange Open Large</b>	3RFO-AL	<b>H</b> - Haze
	3RFO-AL	<b>C</b> - Clear
	3RFO-AL	<b>MTO</b> - Made To Order
<b>3" Round Flange Open Small</b>	3RFO-AS	<b>H</b> - Haze
	3RFO-AS	<b>C</b> - Clear
	3RFO-AS	<b>MTO</b> - Made To Order

## 3" LED ARCHITECTURAL ROUND FLANGE DOWNLIGHT NEW CONSTRUCTION: IC & NON IC

### PERFORMANCE CHART

Optics		<sup>1</sup> 12°	25°	30°	40°	50°	70°
<b>6W</b>	Initial Lumens	657	955	955	955	955	955
	Delivered Lumens	586	718	755	754	726	602
	UGR		13.5	13	16.4	19.1	21
<b>9W</b>	Initial Lumens	890	1296	1296	1296	1296	1296
	Delivered Lumens	794	978	1034	1038	984	825
	UGR		14.6	14.3	17.7	19.6	22.3
<b>12W</b>	Initial Lumens	1122	1618	1618	1618	1618	1618
	Delivered Lumens	999	1225	1314	1319	1238	1051
	UGR		15.2	15.1	18.3	21.2	22.9
<b>15W</b>	Initial Lumens	1267	2015	2015	2015	2015	2015
	Delivered Lumens	1060	1470	1628	1642	1565	1227
	UGR		15.9	15.8	19	21.9	23.6
<b>20W</b>	Initial Lumens	1485	2422	2422	2422	2422	2422
	Delivered Lumens	1244	1778	1967	1985	1895	1482
	UGR		16.6	16.4	19.7	22.5	24.3
<b>24W</b>	Initial Lumens		2799	2799	2799	2799	2799
	Delivered Lumens		2107	2273	2296	2193	1713
	UGR		17.4	17	20.2	23.1	24.8
<b>28W</b>	Initial Lumens		3128	3128	3128	3128	3128
	Delivered Lumens		2343	2542	2569	2458	1914
	UGR		17.7	17.3	20.6	23.6	25.2
<b>32W</b>	Initial Lumens		3405	3405	3405	3405	3405
	Delivered Lumens		2544	2768	2785	2679	2080
	UGR		18	17.7	20.9	23.9	25.4

\* Values are listed at 3000K, 90+ CRI with a white bevel & trim.

Notes

1. 12° spread without lens on trim

### COLOR TEMPERATURE MULTIPLIER FOR DELIVERED LUMENS

2700K	3000K	3500K	4000K
0.95	1.00	1.04	1.07

### DIFFUSED LENS



- Listed IES files are with diffused lens

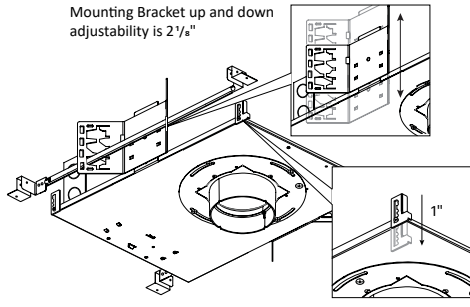
### OPTIONAL FIELD REMOVABLE LENS



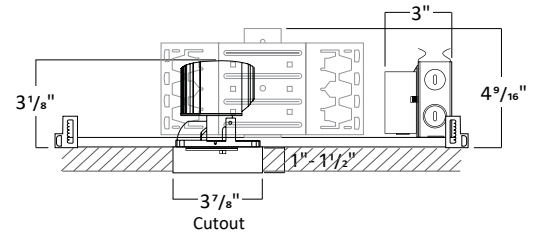
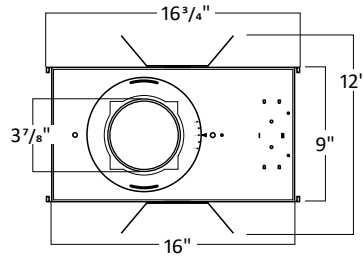
- Not suitable for wet locations
- Increase in lumens by approximately 7%

## 3" LED ARCHITECTURAL ROUND FLANGE DOWNLIGHT NEW CONSTRUCTION: IC & NON IC

### NON-IC HOUSING DIMENSIONS 6W-20W

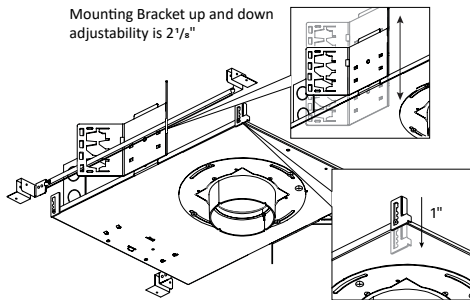


Universal bar hanger mounts on the length or width side of the fixture; Ceiling mount bracket provides 1" adjustability.

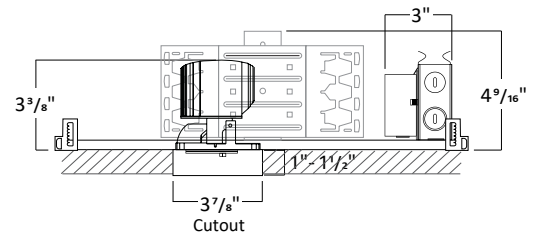
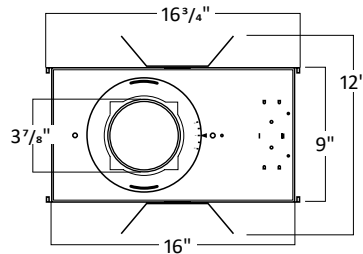


1. Must remove spacer to achieve 1 1/2" collar height
2. Consult factory for Made to Order collar height
3. Allow 1/8" tolerance

### NON-IC HOUSING DIMENSIONS 24W-32W

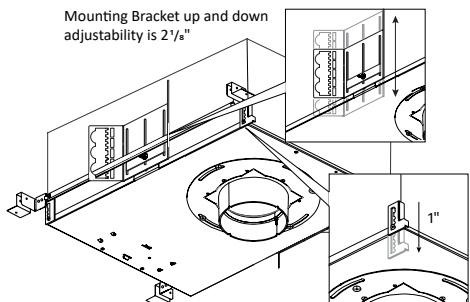


Universal bar hanger mounts on the length or width side of the fixture; Ceiling mount bracket provides 1" adjustability.

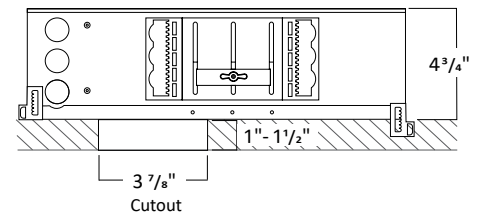
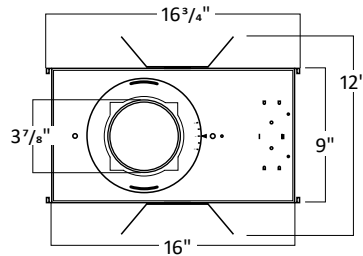


1. Must remove spacer to achieve 1 1/2" collar height
2. Consult factory for Made to Order collar height
3. Allow 1/8" tolerance

### IC HOUSING DIMENSIONS 6W-32W



Universal bar hanger mounts on the length or width side of the fixture; Ceiling mount bracket provides 1" adjustability.



1. Must remove spacer to achieve 1 1/2" collar height
2. Consult factory for Made to Order collar height
3. Allow 1/8" tolerance

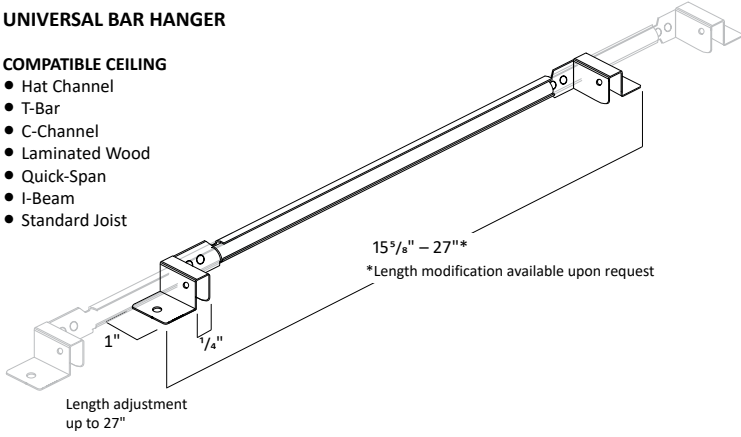
## 3" LED ARCHITECTURAL ROUND FLANGE DOWNLIGHT NEW CONSTRUCTION: IC & NON IC

### FRAME ACCESSORIES

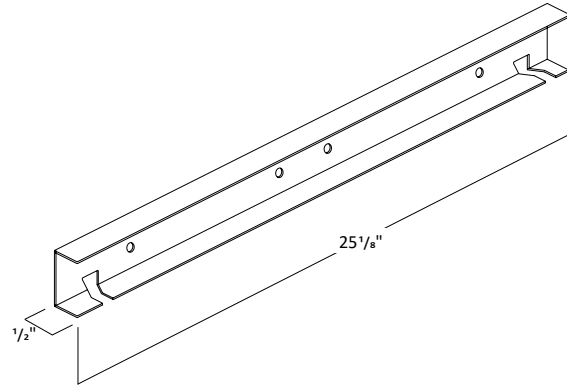
#### UNIVERSAL BAR HANGER

##### COMPATIBLE CEILING

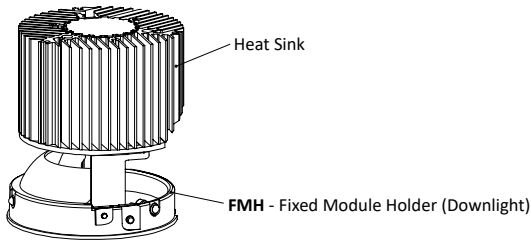
- Hat Channel
- T-Bar
- C-Channel
- Laminated Wood
- Quick-Span
- I-Beam
- Standard Joist



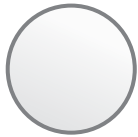
#### C-CHANNEL BAR HANGER



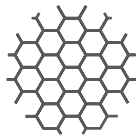
### LED MODULE



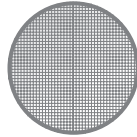
### FILTERS



Frosted Filter



Honey Comb



Solite Filter

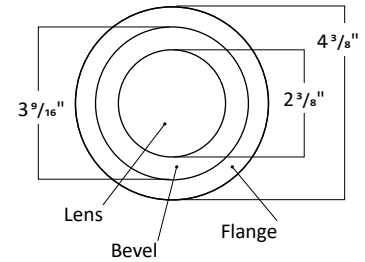
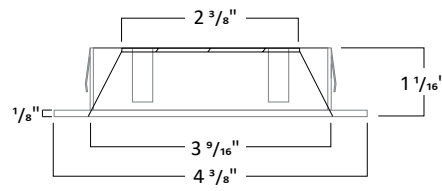
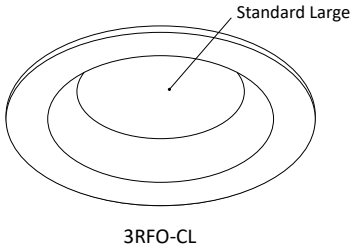
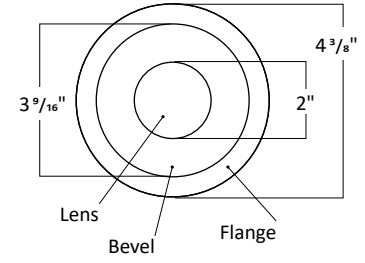
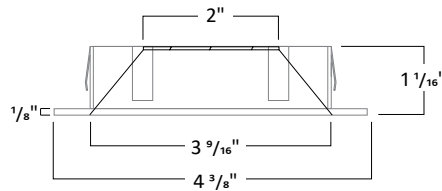
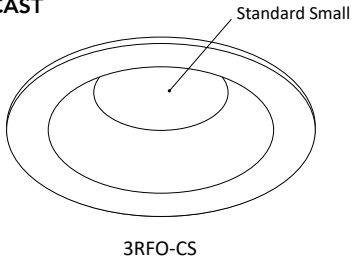


Linear Filter

## 3" LED ARCHITECTURAL ROUND FLANGE DOWNLIGHT NEW CONSTRUCTION: IC & NON IC

### TRIM DIMENSIONS

#### DIE-CAST



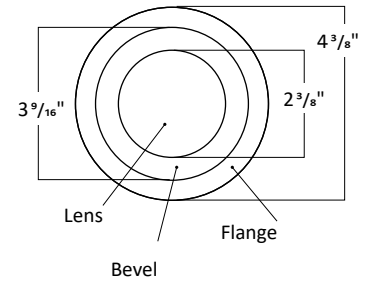
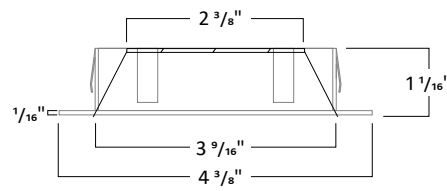
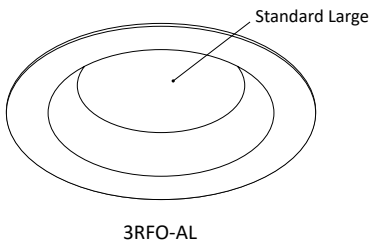
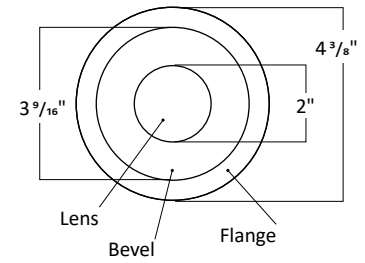
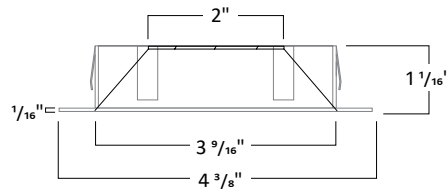
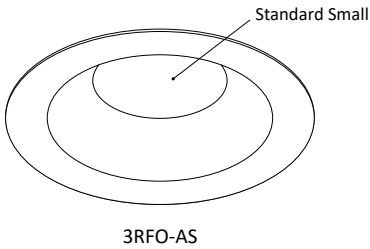
#### TRIM FINISH

May be mixed and matched



\*Consult Factory for Made to Order Finishes

#### SPUN ALUMINUM (SELF-FLANGED)



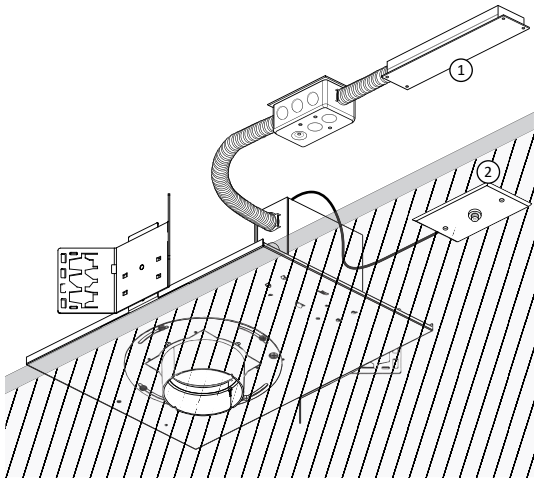
#### TRIM FINISH



\*Consult Factory for Made to Order Finishes

## 3" LED ARCHITECTURAL ROUND FLANGE DOWNLIGHT NEW CONSTRUCTION: IC & NON IC

### REMOTE EMERGENCY BATTERY: NON-IC NEW CONSTRUCTION HOUSING

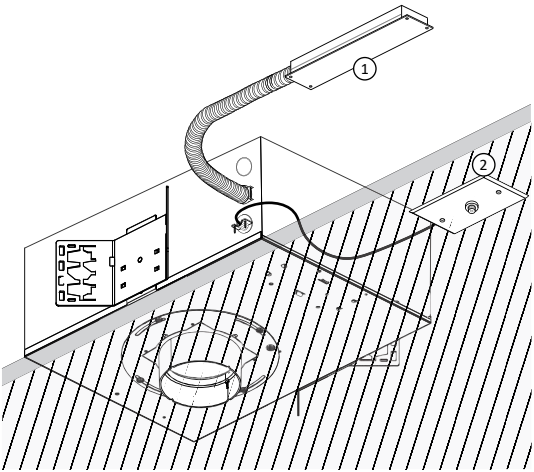


**NC** - Non-IC New Construction

**ER8W** and **ER15W** is an 8W and 15W Emergency Battery that is remote to the fixture with a remote test switch. The EM unit is accessible from below the ceiling for replacement purposes.

1. Remote Emergency Battery
2. Remote Test Switch

### REMOTE EMERGENCY BATTERY: IC NEW CONSTRUCTION HOUSING

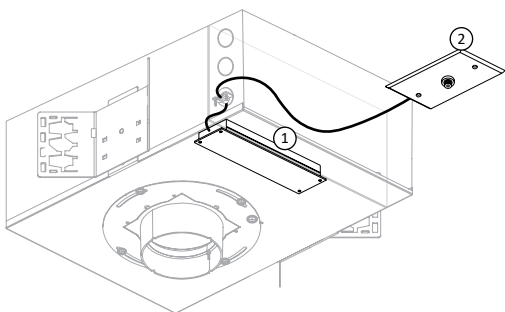


**IC** - IC Air-Tight New Construction

**ER8W** and **ER15W** is an 8W and 15W Emergency Battery that is remote to the fixture with a remote test switch. Ceiling access is required for replacement purposes

1. Remote Emergency Battery
2. Remote Test Switch

### INTEGRAL EMERGENCY BATTERY: IC NEW CONSTRUCTION HOUSING



**IC** - IC Air-Tight New Construction

**ER4W** is an 4W Emergency Battery that is integral to the fixture with an remote test switch. The EM unit is accessible from below the ceiling for replacement purposes.

\*Available in IC housing only

1. Integral Emergency Battery
2. Remote Test Switch