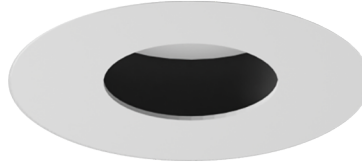


3" LED ARCHITECTURAL ROUND FLANGELESS PINHOLE NEW CONSTRUCTION: IC & NON IC



GENERAL INFORMATION

USE OF PRODUCT

The 3" Prime Pinhole is a small aperture fixture with a housing height of 4 3/4", which is ideal for residential and commercial applications. Available options include die-cast trims, various color temperatures, optics, filters, and dimmable drivers.

LED ENGINE

LED engine available in 2700K, 3000K, 3500K, or 4000K in standard 90+ CRI. 2-step MacAdam ellipse allows for color consistency between fixtures. The LED is mounted to an aluminum heat sink for maximum life output and thermal management. LED engine is accessible from below the ceiling.

OPTICAL LENS

Field replaceable optical lenses are available in 18°, 24°, 37°, 50°. Easily achieve narrow spot to wide flood beam pattern.

FRAME CONSTRUCTION

IC and Non-IC rated housing are constructed from a 16-gauge heavy-duty, powder-coated cold-rolled steel frame and includes a junction box with 1/2" knockouts. Butterfly brackets (included) accommodate universal or C-channel hangers (order separately).

ADJUSTMENT

- Housing supports 359° locking rotation.
- Aperture collar compatible up to 1 1/2" ceiling thickness.
Consult factory for made-to-order aperture collars exceeding 1 1/2".

DIMMING

Available in nine driver selections. (ID) Standard all-inclusive ELV (120V), Triac (120V), and 0-10V (120-277V) dimming driver called Intelligent Drive, (EEL) eldoLED 1% Dim 0-10V, (EELS) eldoLED 1% Dim 0-10V (120-277V) and Triac (120V), Max 20W, (EDIO) eldoLED 0.1 Dim 0-10V, (EDID) eldoLED 0.1% Dim DALI, (EDD) eldoLED 1% Dim DALI2, (LDE1) Lutron Hi-Lume 1% Ecosystem with Soft-on, Fade-to-Black Dimming, (L3DA) Hi-Lume 1% Ecosystem/3-Wire L3D Driver, (PEQ0) Lutron Hi-Lume Premier Ecosystem 0.1% with Soft-on, Fade-to-Black Dimming.

EMERGENCY BATTERY

Optional Emergency Battery (EM) available in 4W (≈400 lm), 8W (≈800 lm), or 15W (≈1,500 lm) available for a minimum of 90 minutes. Please review page 6 for integral or remote EM and test switch options with solutions that allow for EM replacement from below the ceiling.

LABELS/COMPLIANCE/WARRANTY

- CSA Listed for US and Canada.
- Energy Star certified product.
- Dry/Damp location rated.
- 5-year limited warranty.



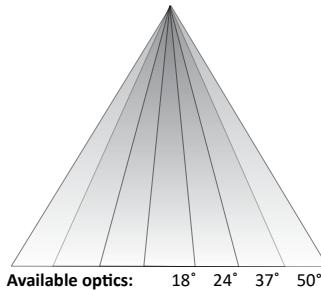
GENERAL PERFORMANCE CHART

*Detailed performance chart may be found on page 3

| | 6W | 9W | 12W | 15W | 20W | 24W | 28W | 32W |
|-------------------------|---------|----------|-----------|-----------|-----------|-----------|-----------|-----------|
| Initial Lumens | 955 | 1296 | 1618 | 2015 | 2422 | 2799 | 3128 | 3405 |
| Delivered Lumens | 626-752 | 853-1026 | 1070-1286 | 1299-1576 | 1580-1914 | 1838-2250 | 2077-2512 | 2281-2763 |

* Values are listed at 3000K, 90+ CRI with a white bevel & trim.
Delivered lumens range based on beam spread.
Performance may vary +/- 5%

BEAM SPREAD



- Field replaceable TIR optics
- Easily achieve narrow spot to wide flood beam pattern
- Optional filters available upon request

PRIME FAMILY OF PRODUCTS



Integer Lights continually works to improve products and reserves the right to make changes which may alter the performance, appearance or specification of products.

3" LED ARCHITECTURAL ROUND FLANGELESS PINHOLE NEW CONSTRUCTION: IC & NON IC

ORDERING INFORMATION

| Series | Wattage | Dimming | Color Temperature | Optical Lens | Filter |
|--------|--|--|--|--|---|
| RPA3 | 6W - 6 Watt 9W - 9 Watt 12W - 12 Watt 15W - 15 Watt 20W - 20 Watt 24W - 24 Watt 28W ² - 28 Watt 32W ² - 32 Watt | ID ² - Standard All-Inclusive ELV, Triac, and 0–10V Dimming Driver (Intelligent Drive) EEL ³ - eldoLED 1% Dim (0–10V) EEL5 ⁴ - eldoLED 1% Dim 0–10V (120–277V), Triac (120V), Max 20W EDIO ³ - eldoLED 0.1% Dim (0–10V) EDID ³ - eldoLED 0.1% Dim (DALI) EDD ³ - eldoLED 1% Dim (DALI2) LDE1 ⁵ - Lutron Hi-Lume 1% Ecosystem with Soft-on, Fade-to-Black Dimming L3DA ⁵ - Hi-Lume 1% Ecosystem/3-Wire L3D Driver PEQ0 - Lutron Hi-Lume Premier Ecosystem 0.1% with Soft-on, Fade-to-Black Dimming | 27K - 2700K 30K - 3000K 35K - 3500K 40K - 4000K | 18 - 18° 24 - 24° 37 - 37° 50 - 50° | Blank - None F - Frosted Filter H - Honey Comb S - Solite Filter L - Linear Filter |

| Housing Type | Collar | Trim Style | Module Type | Frame Accessories |
|---|--|--|---|---|
| IC ⁵ - IC Air-Tight New Construction NC - Non-IC New Construction | CR10 - 1.0" Depth CR15 - 1.5" Depth MTO - Made To Order | LPR - Flangeless Plaster LAMR - Flangeless Millwork with Adapter LDMR - Flangeless Millwork with Dedicated Collar | FMH - Downlight AMH - Adjustable | UH - Universal Bar Hanger C - C-Channel Bar Hanger |

| Options | Wireless Controls | Notes |
|---|---|--|
| ER4W ⁷ - Emergency Battery with Remote test switch (400 lm) ER8W ⁸ - Emergency Battery with Remote test switch (800 lm) ER15W ⁸ - Emergency Battery with Remote test switch (1,500 lm) 347V - 347V Step down transformer CP ⁹ - Chicago Plenum | AWN - Athena Wireless (Lutron) CLM - Connected Lighting Module (Legrand Wattstopper) | <ol style="list-style-type: none"> Not available in IC housing. Intelligent Drive is the standard driver. Must specify logarithmic or linear eldoLED diver. Driver available up to 20W and programmed only in linear mode. Not offered in 6W. Not available in 28W and 32W Available in IC housing only. Ceiling access is required for IC housing to replace the EM unit. Requires IC housing. |

TRIM ORDERING INFORMATION

| Trim Finish | Flange Trim |
|------------------------------------|--|
| 3" Round Flangeless Pinhole | 3RLPW - White trim 3RLPB - Black trim 3RLPMTO - Made to order |

3" LED ARCHITECTURAL ROUND FLANGELESS PINHOLE NEW CONSTRUCTION: IC & NON IC

PERFORMANCE CHART

| Optics | | 18° | 24° | 37° | 50° |
|------------|------------------|------|------|------|------|
| 6W | Initial Lumens | 955 | 955 | 955 | 955 |
| | Delivered Lumens | 626 | 707 | 726 | 752 |
| | UGR | 5.1 | 3.4 | 8.6 | 18.2 |
| 9W | Initial Lumens | 1296 | 1296 | 1296 | 1296 |
| | Delivered Lumens | 853 | 979 | 1006 | 1026 |
| | UGR | 6.7 | 3.5 | 8.5 | 18.1 |
| 12W | Initial Lumens | 1618 | 1618 | 1618 | 1618 |
| | Delivered Lumens | 1070 | 1232 | 1272 | 1286 |
| | UGR | 7.6 | 4.1 | 8.6 | 18.1 |
| 15W | Initial Lumens | 2015 | 2015 | 2015 | 2015 |
| | Delivered Lumens | 1299 | 1520 | 1557 | 1576 |
| | UGR | 8.1 | 4.8 | 8.4 | 18.1 |
| 20W | Initial Lumens | 2422 | 2422 | 2422 | 2422 |
| | Delivered Lumens | 1580 | 1846 | 1898 | 1914 |
| | UGR | 8.6 | 5.3 | 8.3 | 18.1 |
| 24W | Initial Lumens | 2799 | 2799 | 2799 | 2799 |
| | Delivered Lumens | 1838 | 2147 | 2209 | 2250 |
| | UGR | 8.9 | 5.7 | 8.5 | 18.2 |
| 28W | Initial Lumens | 3128 | 3128 | 3128 | 3128 |
| | Delivered Lumens | 2077 | 2420 | 2494 | 2512 |
| | UGR | 9.2 | 5.9 | 8.5 | 18.4 |
| 32W | Initial Lumens | 3405 | 3405 | 3405 | 3405 |
| | Delivered Lumens | 2281 | 2665 | 2750 | 2763 |
| | UGR | 9.3 | 5.1 | 8.6 | 18.3 |

* Values are listed at 3000K, 90+ CRI with a white bevel & trim.

COLOR TEMPERATURE MULTIPLIER FOR DELIVERED LUMENS

| 2700K | 3000K | 3500K | 4000K |
|-------|-------|-------|-------|
| 0.95 | 1.00 | 1.04 | 1.07 |

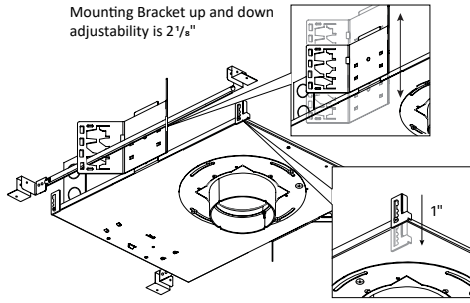
3RLP FLANGELESS PINHOLE



- Available without lens only

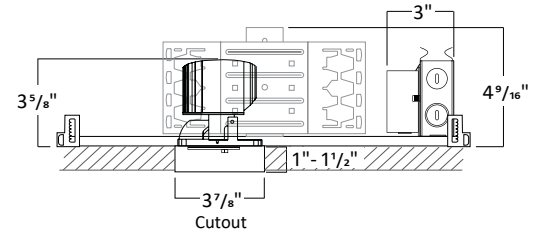
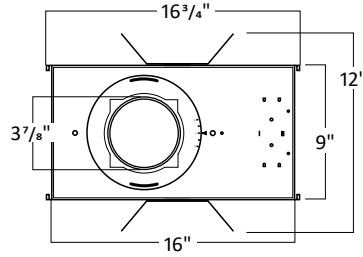
3" LED ARCHITECTURAL ROUND FLANGELESS PINHOLE NEW CONSTRUCTION: IC & NON IC

NON-IC HOUSING DIMENSIONS 6W-20W



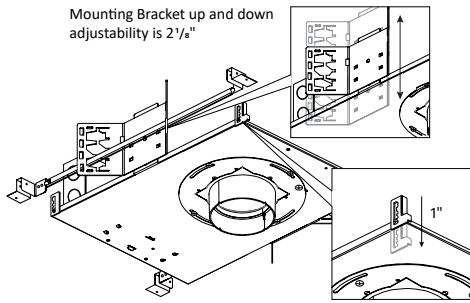
NC - Non-IC New Construction

Universal bar hanger mounts on the length or width side of the fixture; Ceiling mount bracket provides 1" adjustability.



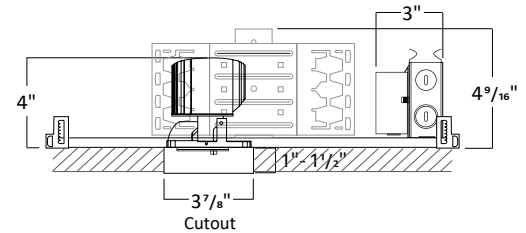
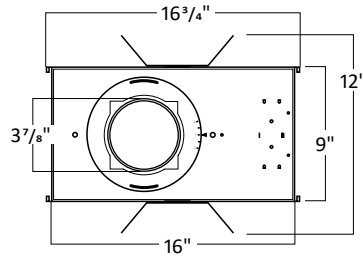
1. Must remove spacer to achieve 1 1/2" collar height
2. Consult factory for Made to Order collar height
3. Allow 1/8" tolerance

NON-IC HOUSING DIMENSIONS 24W-32W



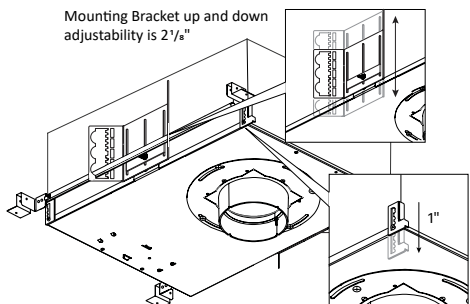
NC - Non-IC New Construction

Universal bar hanger mounts on the length or width side of the fixture; Ceiling mount bracket provides 1" adjustability.



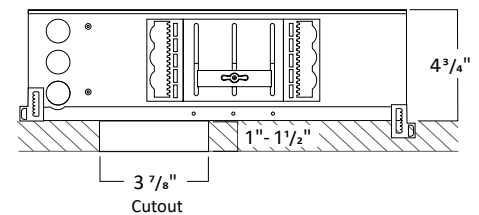
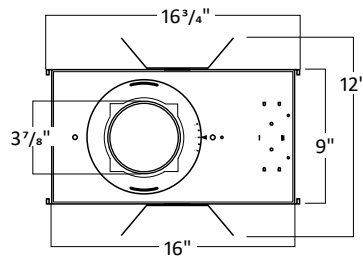
1. Must remove spacer to achieve 1 1/2" collar height
2. Consult factory for Made to Order collar height
3. Allow 1/8" tolerance

IC HOUSING DIMENSIONS 6W-24W



IC - IC Air-Tight New Construction

Universal bar hanger mounts on the length or width side of the fixture; Ceiling mount bracket provides 1" adjustability.



1. Must remove spacer to achieve 1 1/2" collar height
2. Consult factory for Made to Order collar height
3. Allow 1/8" tolerance

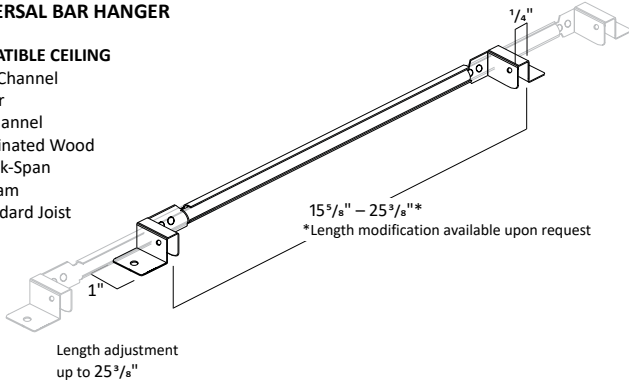
3" LED ARCHITECTURAL ROUND FLANGELESS PINHOLE NEW CONSTRUCTION: IC & NON IC

FRAME ACCESSORIES

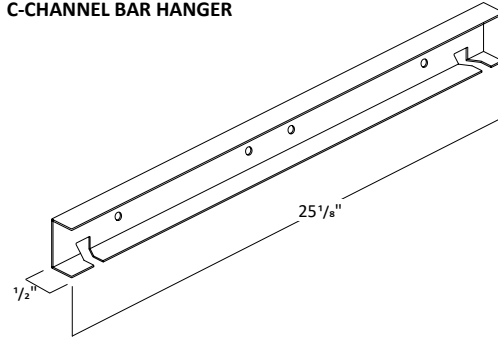
UNIVERSAL BAR HANGER

COMPATIBLE CEILING

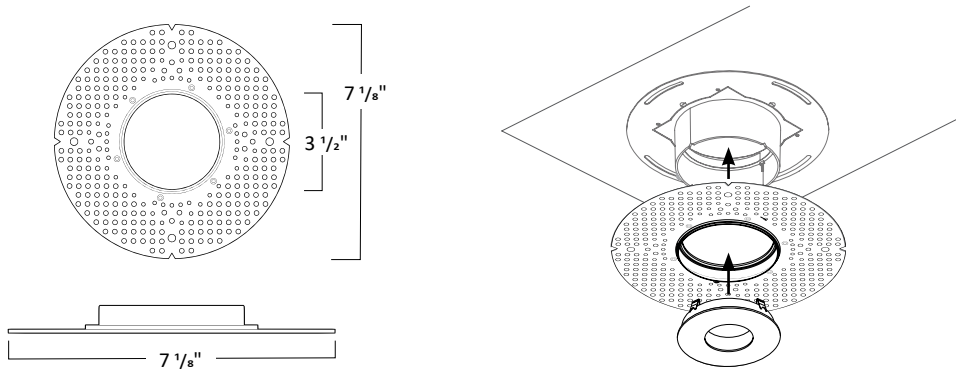
- Hat Channel
- T-Bar
- C-Channel
- Laminated Wood
- Quick-Span
- I-Beam
- Standard Joist



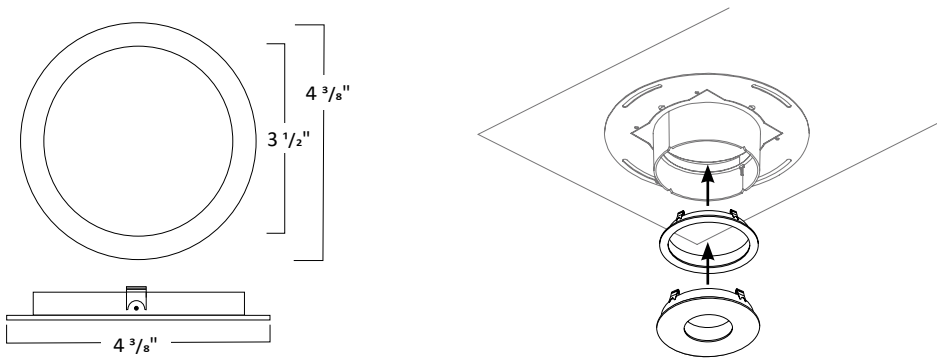
C-CHANNEL BAR HANGER



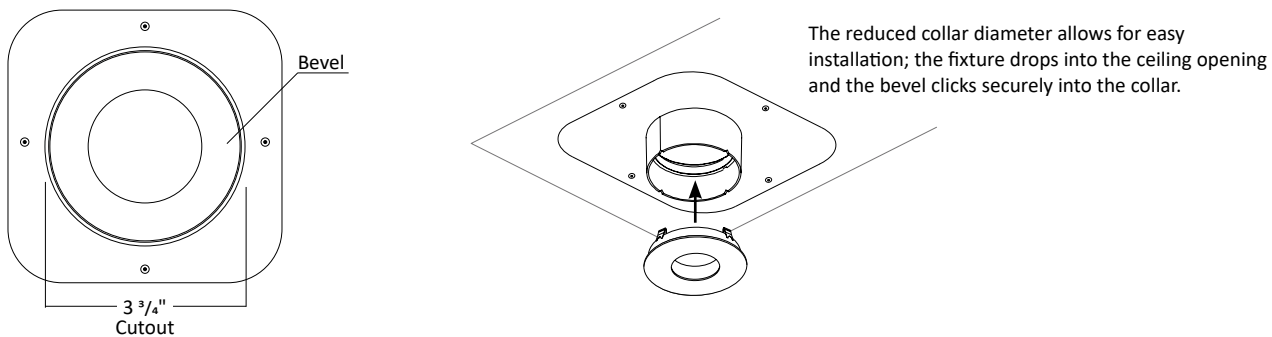
FLANGELESS PLASTER (LPR)



FLANGELESS MILLWORK WITH ADAPTER (LAMR)

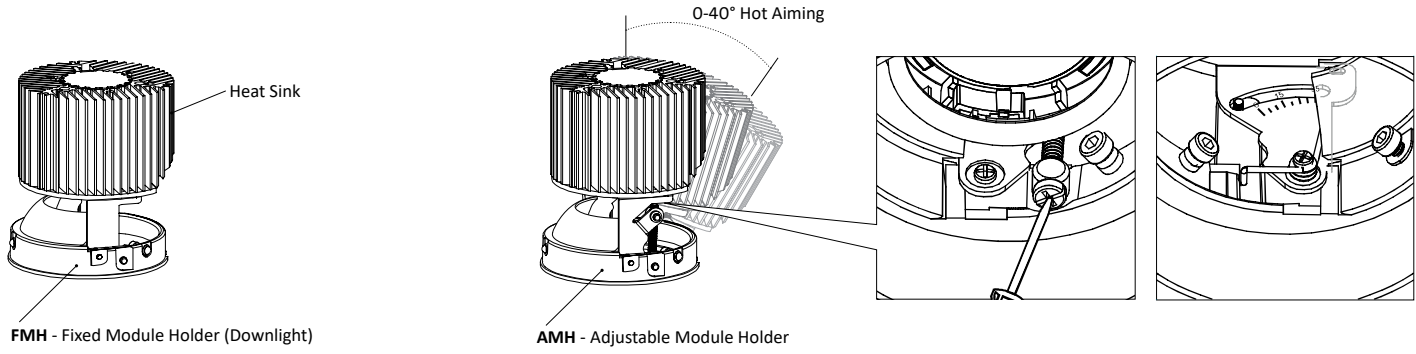


FLANGELESS MILLWORK WITH DEDICATED COLLAR (LDMR)

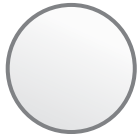


3" LED ARCHITECTURAL ROUND FLANGELESS PINHOLE NEW CONSTRUCTION: IC & NON IC

LED MODULE



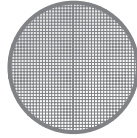
FILTERS



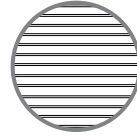
Frosted Filter



Honey Comb

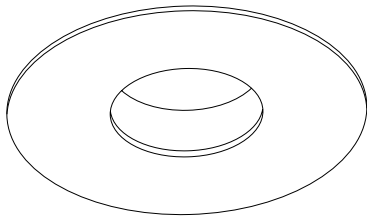


Solite Filter

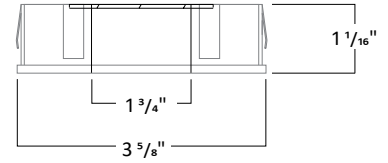
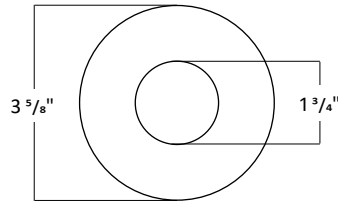


Linear Filter

TRIM DIMENSIONS



3RLP



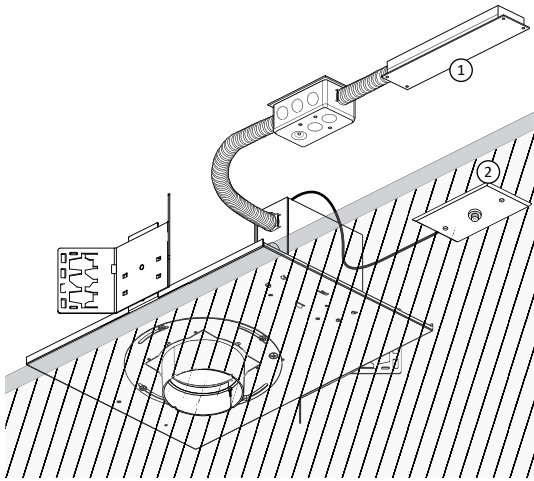
TRIM FINISH



*Consult Factory for Made to Order Finishes

3" LED ARCHITECTURAL ROUND FLANGELESS PINHOLE NEW CONSTRUCTION: IC & NON IC

REMOTE EMERGENCY BATTERY: NON-IC NEW CONSTRUCTION HOUSING

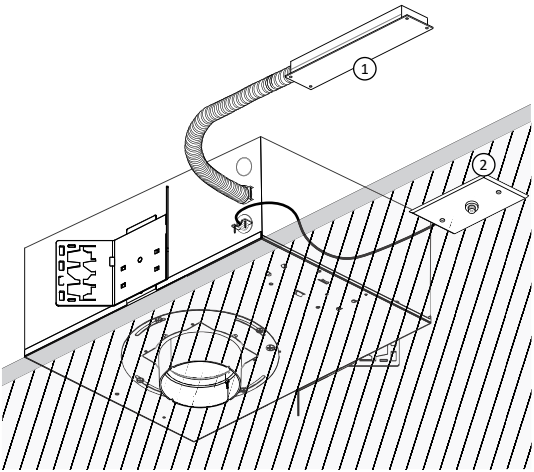


NC - Non-IC New Construction

ER8W and **ER15W** is an 8W and 15W Emergency Battery that is remote to the fixture with a remote test switch. The EM unit is accessible from below the ceiling for replacement purposes.

1. Remote Emergency Battery
2. Remote Test Switch

REMOTE EMERGENCY BATTERY: IC NEW CONSTRUCTION HOUSING

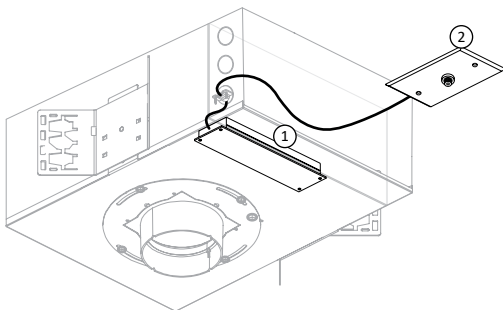


IC - IC Air-Tight New Construction

ER8W and **ER15W** is an 8W and 15W Emergency Battery that is remote to the fixture with a remote test switch. Ceiling access is required for replacement purposes

1. Remote Emergency Battery
2. Remote Test Switch

INTEGRAL EMERGENCY BATTERY: IC NEW CONSTRUCTION HOUSING



IC - IC Air-Tight New Construction

ER4W is an 4W Emergency Battery that is integral to the fixture with an remote test switch. The EM unit is accessible from below the ceiling for replacement purposes.

*Available in IC housing only

1. Integral Emergency Battery
2. Remote Test Switch