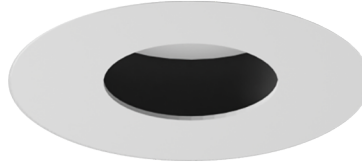


## 3" LED ARCHITECTURAL ROUND FLANGELESS PINHOLE NEW CONSTRUCTION: IC & NON IC



### GENERAL INFORMATION

#### USE OF PRODUCT

The 3" Prime Pinhole is a small aperture fixture with a housing height of 4 3/4", which is ideal for residential and commercial applications. Available options include die-cast trims, various color temperatures, optics, filters, and dimmable drivers.

#### LED ENGINE

LED engine available in 2700K, 3000K, 3500K, or 4000K in standard 90+ CRI. 2-step MacAdam ellipse allows for color consistency between fixtures. The LED is mounted to an aluminum heat sink for maximum life output and thermal management. LED engine is accessible from below the ceiling.

#### OPTICAL LENS

Field replaceable optical lenses are available in 18°, 24°, 37°, 50°. Easily achieve narrow spot to wide flood beam pattern.

#### FRAME CONSTRUCTION

IC and Non-IC rated housing are constructed from a 16-gauge heavy-duty, powder-coated cold-rolled steel frame and includes a junction box with 1/2" knockouts. Butterfly brackets (included) accommodate universal or C-channel hangers (order separately).

#### ADJUSTMENT

- Housing supports 359° locking rotation.  
- Aperture collar compatible up to 1 1/2" ceiling thickness.  
Consult factory for made-to-order aperture collars exceeding 1 1/2".

#### DIMMING

Available in nine driver selections. (ID) Standard all-inclusive ELV (120V), Triac (120V), and 0-10V (120-277V) dimming driver called Intelligent Drive, (EEL) eldoLED 1% Dim 0-10V, (EELS) eldoLED 1% Dim 0-10V (120-277V) and Triac (120V), Max 20W, (EDIO) eldoLED 0.1 Dim 0-10V, (EDID) eldoLED 0.1% Dim DALI, (EDD) eldoLED 1% Dim DALI2, (LDE1) Lutron Hi-Lume 1% Ecosystem with Soft-on, Fade-to-Black Dimming, (L3DA) Hi-Lume 1% Ecosystem/3-Wire L3D Driver, (PEQ0) Lutron Hi-Lume Premier Ecosystem 0.1% with Soft-on, Fade-to-Black Dimming.

#### EMERGENCY BATTERY

Optional Emergency Battery (EM) available in 4W (≈400 lm), 8W (≈800 lm), or 15W (≈1,500 lm) available for a minimum of 90 minutes. Please review page 6 for integral or remote EM and test switch options with solutions that allow for EM replacement from below the ceiling.

#### LABELS/COMPLIANCE/WARRANTY

- CSA Listed for US and Canada.
- Energy Star certified product.
- Dry/Damp location rated.
- 5-year limited warranty.



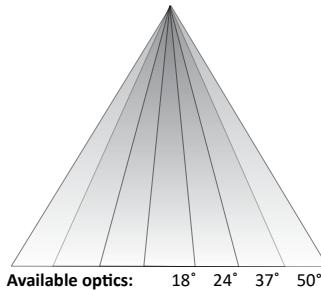
### GENERAL PERFORMANCE CHART

\*Detailed performance chart may be found on page 3

	6W	9W	12W	15W	20W	24W	28W	32W
<b>Initial Lumens</b>	955	1296	1618	2015	2422	2799	3128	3405
<b>Delivered Lumens</b>	626-752	853-1026	1070-1286	1299-1576	1580-1914	1838-2250	2077-2512	2281-2763

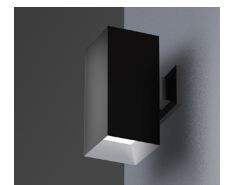
\* Values are listed at 3000K, 90+ CRI with a white bevel & trim.  
Delivered lumens range based on beam spread.  
Performance may vary +/- 5%

### BEAM SPREAD



- Field replaceable TIR optics
- Easily achieve narrow spot to wide flood beam pattern
- Optional filters available upon request

### PRIME FAMILY OF PRODUCTS



Downlight

TechZone®

WoodWorks®

Multiple Dedicated Bevel

Multiple Open Bevel

Cylinder

Square Luminaire

Integer Lights continually works to improve products and reserves the right to make changes which may alter the performance, appearance or specification of products.

## 3" LED ARCHITECTURAL ROUND FLANGELESS PINHOLE NEW CONSTRUCTION: IC & NON IC

### ORDERING INFORMATION

Series	Wattage	Dimming	Color Temperature	Optical Lens	Filter
RPA3	<b>6W</b> - 6 Watt <b>9W</b> - 9 Watt <b>12W</b> - 12 Watt <b>15W</b> - 15 Watt <b>20W</b> - 20 Watt <b>24W</b> - 24 Watt <b>28W</b> <sup>2</sup> - 28 Watt <b>32W</b> <sup>2</sup> - 32 Watt	<b>ID</b> <sup>2</sup> - Standard All-Inclusive ELV, Triac, and 0–10V Dimming Driver (Intelligent Drive) <b>EEL</b> <sup>3</sup> - eldoLED 1% Dim (0–10V) <b>EEL5</b> <sup>4</sup> - eldoLED 1% Dim 0–10V (120–277V), Triac (120V), Max 20W <b>EDIO</b> <sup>3</sup> - eldoLED 0.1% Dim (0–10V) <b>EDID</b> <sup>3</sup> - eldoLED 0.1% Dim (DALI) <b>EDD</b> <sup>3</sup> - eldoLED 1% Dim (DALI2) <b>LDE1</b> <sup>5</sup> - Lutron Hi-Lume 1% Ecosystem with Soft-on, Fade-to-Black Dimming <b>L3DA</b> <sup>5</sup> - Hi-Lume 1% Ecosystem/3-Wire L3D Driver <b>PEQ0</b> - Lutron Hi-Lume Premier Ecosystem 0.1% with Soft-on, Fade-to-Black Dimming	<b>27K</b> - 2700K <b>30K</b> - 3000K <b>35K</b> - 3500K <b>40K</b> - 4000K	<b>18</b> - 18° <b>24</b> - 24° <b>37</b> - 37° <b>50</b> - 50°	<b>Blank</b> - None <b>F</b> - Frosted Filter <b>H</b> - Honey Comb <b>S</b> - Solite Filter <b>L</b> - Linear Filter

Housing Type	Collar	Trim Style	Module Type	Frame Accessories
<b>IC</b> <sup>5</sup> - IC Air-Tight New Construction <b>NC</b> - Non-IC New Construction	<b>CR10</b> - 1.0" Depth <b>CR15</b> - 1.5" Depth <b>MTO</b> - Made To Order	<b>LPR</b> - Flangeless Plaster <b>LAMR</b> - Flangeless Millwork with Adapter <b>LDMR</b> - Flangeless Millwork with Dedicated Collar	<b>FMH</b> - Downlight	<b>UH</b> - Universal Bar Hanger <b>C</b> - C-Channel Bar Hanger

Options	Wireless Controls	Notes
<b>ER4W</b> <sup>7</sup> - Emergency Battery with Remote test switch (400 lm) <b>ER8W</b> <sup>8</sup> - Emergency Battery with Remote test switch (800 lm) <b>ER15W</b> <sup>8</sup> - Emergency Battery with Remote test switch (1,500 lm) <b>347V</b> - 347V Step down transformer <b>CP</b> <sup>9</sup> - Chicago Plenum	<b>AWN</b> - Athena Wireless (Lutron) <b>CLM</b> - Connected Lighting Module (Legrand Wattstopper)	<ol style="list-style-type: none"> <li>Not available in IC housing.</li> <li>Intelligent Drive is the standard driver.</li> <li>Must specify logarithmic or linear eldoLED diver.</li> <li>Driver available up to 20W and programmed only in linear mode.</li> <li>Not offered in 6W.</li> <li>Not available in 28W and 32W</li> <li>Available in IC housing only.</li> <li>Ceiling access is required for IC housing to replace the EM unit.</li> <li>Requires IC housing.</li> </ol>

### TRIM ORDERING INFORMATION

Trim Finish	Flange Trim
<b>3" Round Flangeless Pinhole</b>	<b>3RLPW</b> - White trim <b>3RLPB</b> - Black trim <b>3RLPMTO</b> - Made to order

## 3" LED ARCHITECTURAL ROUND FLANGELESS PINHOLE NEW CONSTRUCTION: IC & NON IC

### PERFORMANCE CHART

Optics		18°	24°	37°	50°
<b>6W</b>	Initial Lumens	955	955	955	955
	Delivered Lumens	626	707	726	752
	UGR	5.1	3.4	8.6	18.2
<b>9W</b>	Initial Lumens	1296	1296	1296	1296
	Delivered Lumens	853	979	1006	1026
	UGR	6.7	3.5	8.5	18.1
<b>12W</b>	Initial Lumens	1618	1618	1618	1618
	Delivered Lumens	1070	1232	1272	1286
	UGR	7.6	4.1	8.6	18.1
<b>15W</b>	Initial Lumens	2015	2015	2015	2015
	Delivered Lumens	1299	1520	1557	1576
	UGR	8.1	4.8	8.4	18.1
<b>20W</b>	Initial Lumens	2422	2422	2422	2422
	Delivered Lumens	1580	1846	1898	1914
	UGR	8.6	5.3	8.3	18.1
<b>24W</b>	Initial Lumens	2799	2799	2799	2799
	Delivered Lumens	1838	2147	2209	2250
	UGR	8.9	5.7	8.5	18.2
<b>28W</b>	Initial Lumens	3128	3128	3128	3128
	Delivered Lumens	2077	2420	2494	2512
	UGR	9.2	5.9	8.5	18.4
<b>32W</b>	Initial Lumens	3405	3405	3405	3405
	Delivered Lumens	2281	2665	2750	2763
	UGR	9.3	5.1	8.6	18.3

\* Values are listed at 3000K, 90+ CRI with a white bevel & trim.

### COLOR TEMPERATURE MULTIPLIER FOR DELIVERED LUMENS

2700K	3000K	3500K	4000K
0.95	1.00	1.04	1.07

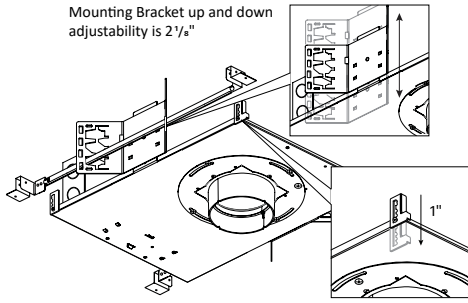
### 3RLP FLANGELESS PINHOLE



- Available without lens only

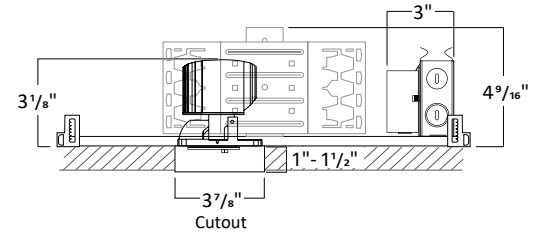
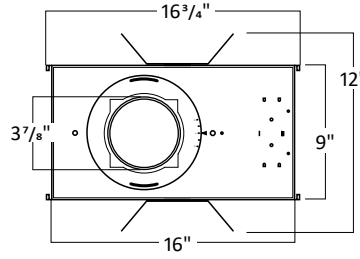
## 3" LED ARCHITECTURAL ROUND FLANGELESS PINHOLE NEW CONSTRUCTION: IC & NON IC

### NON-IC HOUSING DIMENSIONS 6W-20W



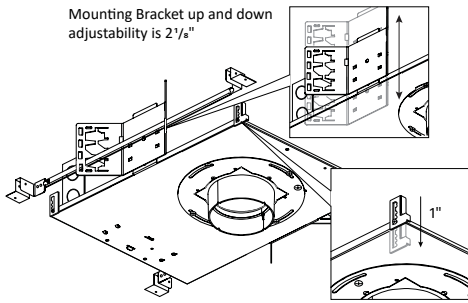
NC - Non-IC New Construction

Universal bar hanger mounts on the length or width side of the fixture; Ceiling mount bracket provides 1" adjustability.



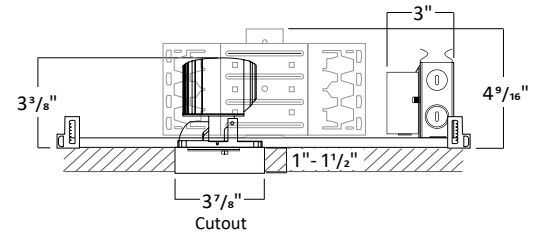
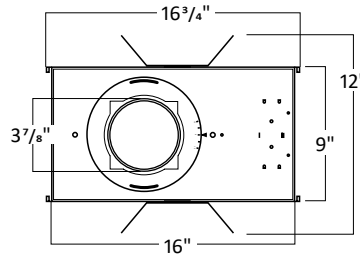
1. Must remove spacer to achieve 1 1/2" collar height
2. Consult factory for Made to Order collar height
3. Allow 1/8" tolerance

### NON-IC HOUSING DIMENSIONS 24W-32W



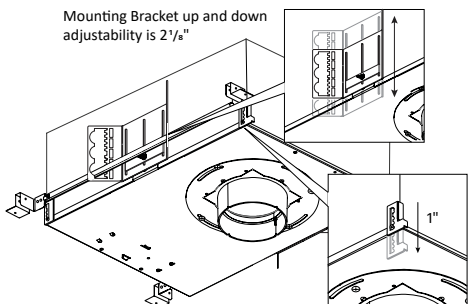
NC - Non-IC New Construction

Universal bar hanger mounts on the length or width side of the fixture; Ceiling mount bracket provides 1" adjustability.



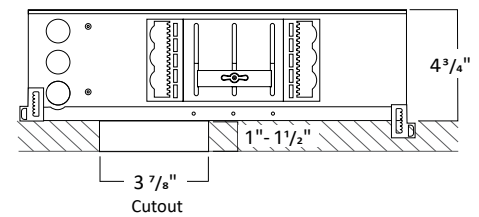
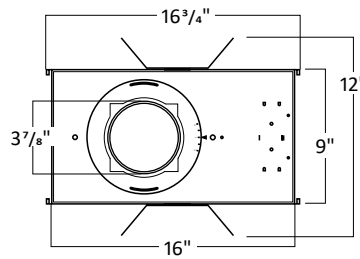
1. Must remove spacer to achieve 1 1/2" collar height
2. Consult factory for Made to Order collar height
3. Allow 1/8" tolerance

### IC HOUSING DIMENSIONS 6W-24W



IC - IC Air-Tight New Construction

Universal bar hanger mounts on the length or width side of the fixture; Ceiling mount bracket provides 1" adjustability.



1. Must remove spacer to achieve 1 1/2" collar height
2. Consult factory for Made to Order collar height
3. Allow 1/8" tolerance

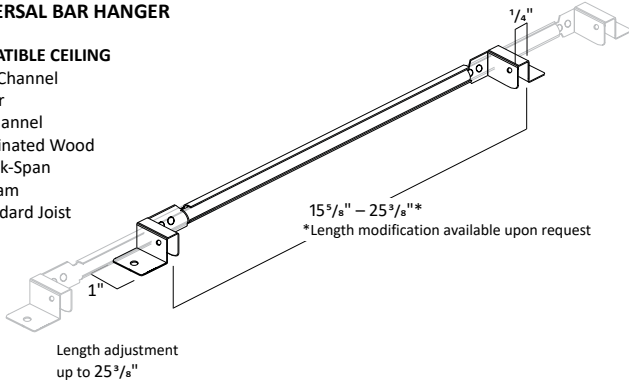
## 3" LED ARCHITECTURAL ROUND FLANGELESS PINHOLE NEW CONSTRUCTION: IC & NON IC

### FRAME ACCESSORIES

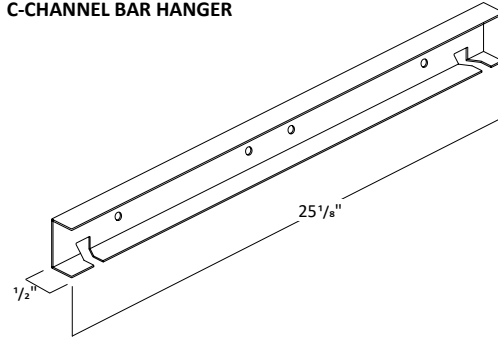
#### UNIVERSAL BAR HANGER

##### COMPATIBLE CEILING

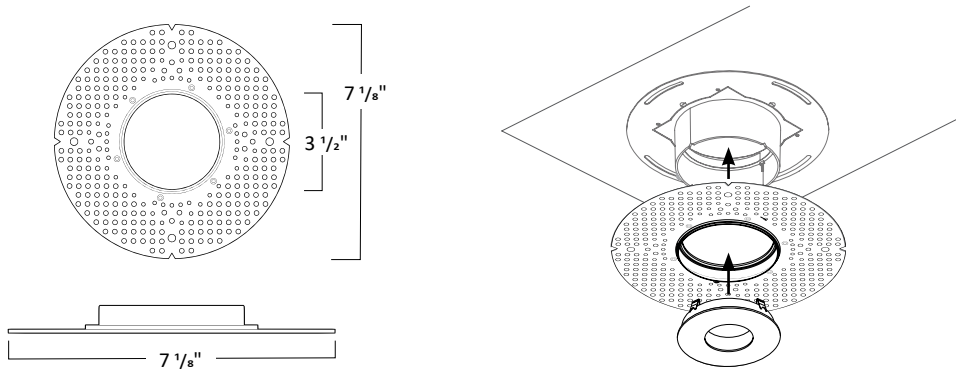
- Hat Channel
- T-Bar
- C-Channel
- Laminated Wood
- Quick-Span
- I-Beam
- Standard Joist



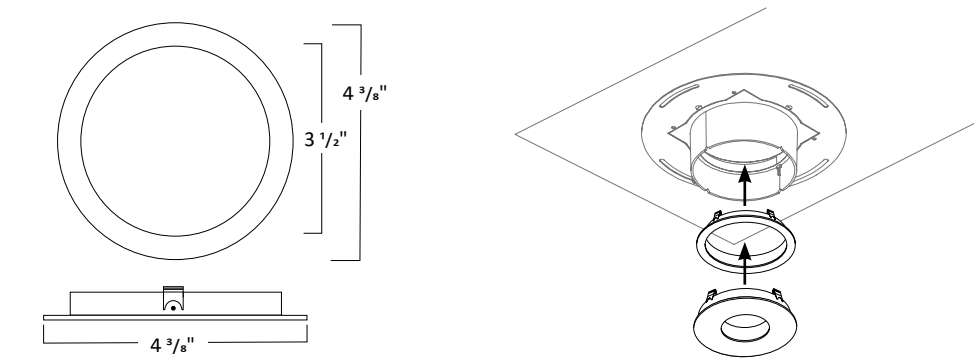
#### C-CHANNEL BAR HANGER



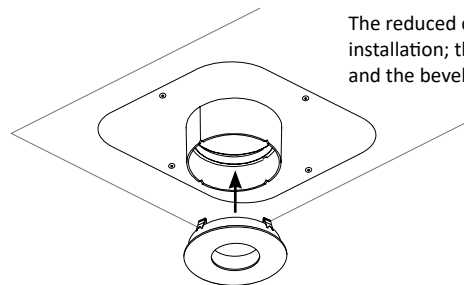
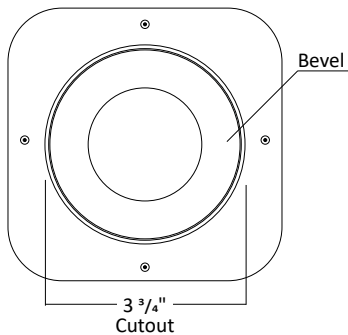
### FLANGELESS PLASTER (LPR)



### FLANGELESS MILLWORK WITH ADAPTER (LAMR)



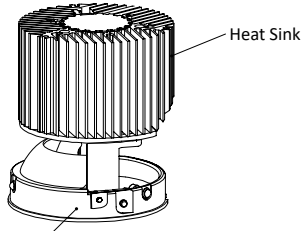
### FLANGELESS MILLWORK WITH DEDICATED COLLAR (LDMR)



The reduced collar diameter allows for easy installation; the fixture drops into the ceiling opening and the bevel clicks securely into the collar.

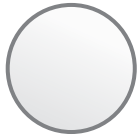
## 3" LED ARCHITECTURAL ROUND FLANGELESS PINHOLE NEW CONSTRUCTION: IC & NON IC

### LED MODULE

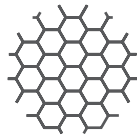


FMH - Fixed Module Holder (Downlight)

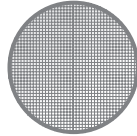
### FILTERS



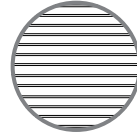
Frosted Filter



Honey Comb

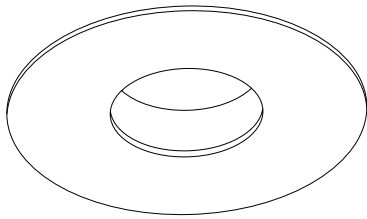


Solite Filter

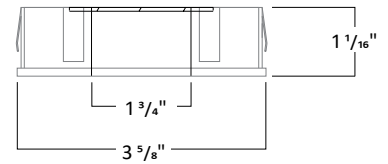
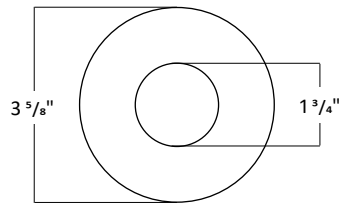


Linear Filter

### TRIM DIMENSIONS



3RLP



### TRIM FINISH



White

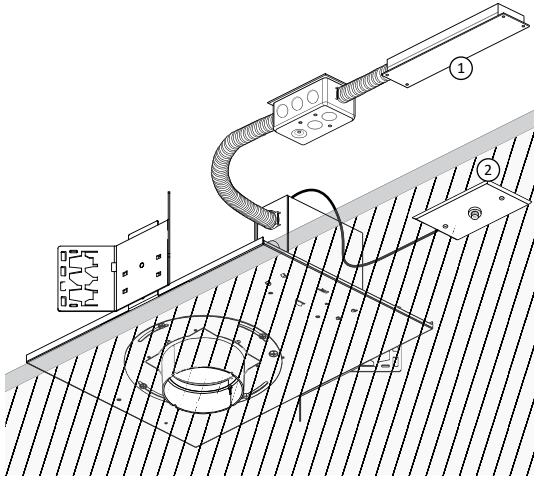


Black

\*Consult Factory for Made to Order Finishes

## 3" LED ARCHITECTURAL ROUND FLANGELESS PINHOLE NEW CONSTRUCTION: IC & NON IC

### REMOTE EMERGENCY BATTERY: NON-IC NEW CONSTRUCTION HOUSING

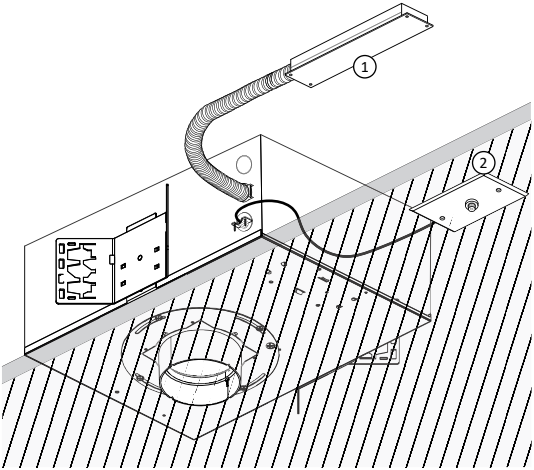


**NC - Non-IC New Construction**

**ER8W** and **ER15W** is an 8W and 15W Emergency Battery that is remote to the fixture with a remote test switch. The EM unit is accessible from below the ceiling for replacement purposes.

1. Remote Emergency Battery
2. Remote Test Switch

### REMOTE EMERGENCY BATTERY: IC NEW CONSTRUCTION HOUSING

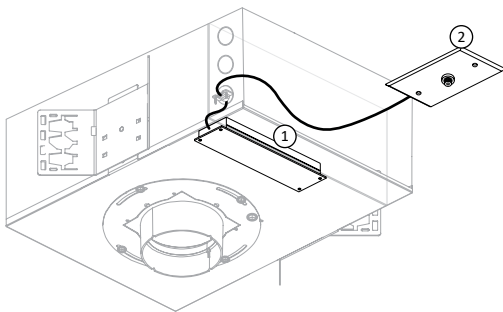


**IC - IC Air-Tight New Construction**

**ER8W** and **ER15W** is an 8W and 15W Emergency Battery that is remote to the fixture with a remote test switch. Ceiling access is required for replacement purposes

1. Remote Emergency Battery
2. Remote Test Switch

### INTEGRAL EMERGENCY BATTERY: IC NEW CONSTRUCTION HOUSING



**IC - IC Air-Tight New Construction**

**ER4W** is an 4W Emergency Battery that is integral to the fixture with an remote test switch. The EM unit is accessible from below the ceiling for replacement purposes.

\*Available in IC housing only

1. Integral Emergency Battery
2. Remote Test Switch