

## PRIME 3" LED ARCHITECTURAL ROUND FLANGED DOWNLIGHT FOR 6" TECHZONE® CEILINGS (SILHOUETTE®, SUPRAFINE®, INTERLUDE®, OR PRELUDE®) BY ARMSTRONG®



### USE OF PRODUCT

The 3" PRIME Architectural Series for use in 6" TechZone Ceilings allows for a seamless installation and integration of luminaires within either the Silhouette®, Suprafine®, Interlude®, or Prelude® ceiling types offered by Armstrong®. Available in Downlight, Wall Wash, and Adjustable in an assortment of finishes in round or square flanged trims.

### LED ENGINE

LED engine available with CREE LEDs in 2700K, 3000K, 3500K, or 4000K in standard 93+ CRI. 2 Step MacAdam ellipse allows for color consistency between fixtures. LED mounted to aluminum heat sink for maximum life output and thermal management. LED engine is accessible from below ceiling.

### FRAME CONSTRUCTION

NonIC housing constructed from 20 gauge cold rolled steel. Junction box with ½" knockouts. Integrated mounting brackets that will snap directly into 6" Techzone® Ceiling grids. Compatible with the following series: Silhouette®, Suprafine®, Interlude®, or Prelude®

### OPTICAL LENS & FILTERS (Field Replaceable)

Field replaceable optical lens available in 12°, 22°, 27°, 35° and 45°. Easily achieve narrow spot to wide flood beam pattern. Accepts up to 2 filters.

### DIMMING

(ID) Standard all-inclusive ELV(120V), Triac(120V), and 0-10V(120-277V) dimming driver called Intelligent Drive, 120-277V. (PEQ0) Lutron Hi-Lume Premier Ecosystem 0.1% w/soft on, fade to black dimming, 120-277V. (LDE1) Lutron Hi-Lume 1% Ecosystem with soft on, fade to black dimming, 120-277V. (L3DA) Hi-lume 1% EcoSystem/3-Wire L3D Driver (EE1) eldoLED Eco 1% Dim (0-10V), 120-277V. (EDIO) eldoLED Solo 0.1% Dim(0-10V), 120-277V. (EDID) eldoLED Solo 0.1% Dim(DALI), 120-277V. Driver accessible from below ceiling.

### THERMAL MANAGEMENT

Ambient temperatures at fixture location should not exceed -20° to 40°C.

### TRIM

Die cast trim. Consult factory for made to order finishes.

### EMERGENCY BATTERY

Optional emergency battery available for a minimum of 90 minutes with Remote test switch in 800 delivered lumens.

### LABELS/COMPLIANCE/WARRANTY

- CSA listed for US and Canada
- Dry/Damp/Wet location rated
- Energy Star
- 5 year limited warranty



## ORDERING INFORMATION

### RPA

Aperture Size   Lumens   Color Temperature   Voltage   Dimming   Optical Lens   Filter   Housing Type   Aperture   Options

Series	Aperture Size	Lumens	Color Temperature	Voltage	Dimming	Optical Lens	Filter
RPA	3 - 3"	8L - 890 lm	27 - 2700K	UNV - 120-277	ID <sup>1</sup> - Standard all-inclusive ELV, Triac, and 0-10V dimming driver (Intelligent Drive)	12 - 12°	None - Leave blank
PRIME Series		11L - 1175 lm	30 - 3000K	120 - 20V	PEQ0 - Lutron Hi-Lume Premier Ecosystem 0.1% w/ soft on, fade to black dimming	22 - 22°	F - Frosted filter
		16L - 1650 lm	35 - 3500K	347 - 347V	LDE1 <sup>2</sup> - Lutron Hi-Lume 1% Ecosystem with soft on, fade to black dimming	27 - 27°	H - Honey comb
			40 - 4000K		L3DA - Hi-lume 1% EcoSystem/3-Wire L3D Driver	35 - 35°	S - Solite filter
					EE1 <sup>2</sup> - eldoLED Eco 1% Dim (0-10V)	45 - 45°	L - Linear filter
					EDIO <sup>2,3</sup> - eldoLED Solo 0.1% Dim (0-10V)		
					EDID <sup>2,3</sup> - eldoLED Solo 0.1% Dim (DALI)		

Housing Type	Aperture	Options
TZ6 - 6" TechZone Ceiling	SFD - Square Flange Downlight	ER8 <sup>2</sup> - Emergency battery with remote switch (800 Lumens) LAW - Lutron Athena Wireless Node (RF only version)

## TRIM ORDERING INFORMATION

Aperture Size / Shape / Trim Type / Style	Die Cast	Bevel Opening	Bevel
3RFO - 3" Round Flange Open		CL - Die cast large opening CS - Die cast small opening	W - White B - Black H - Haze BZ - Bronze C - Clear MTO - Made to order

### Notes

1. Intelligent Drive is the standard driver.
2. Ceiling access required.
3. Must specify logarithmic or inear eldoLED driver.

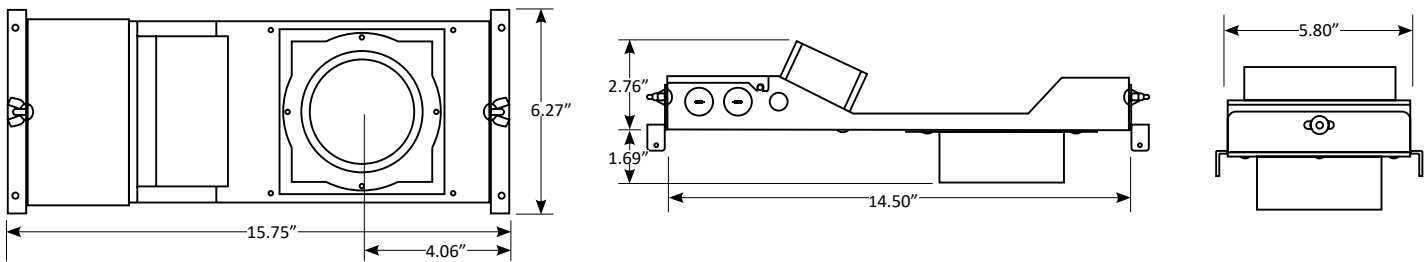
PRIME 3" LED ARCHITECTURAL ROUND FLANGED DOWNLIGHT FOR 6" TECHZONE® CEILINGS  
(SILHOUETTE®, SUPRAFINE®, INTERLUDE®, OR PRELUDE®) BY ARMSTRONG®

## LUMEN CHART

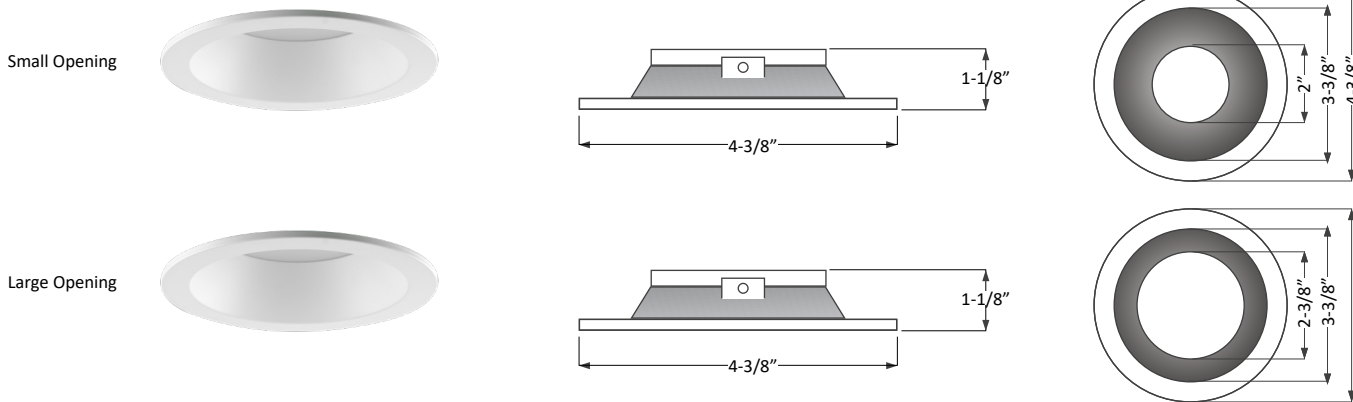
Wattage	Delivered Lumens	Voltage	CRI
10W	890 lm	120 - 277V	93+
14W	1175 lm	120 - 277V	93+
20W	1650 lm	120 - 277V	93+

\*Above chart, ordering information, and IES File name reflect delivered lumens based 3000K and 30° optical lens.  
\*\*Lumens will vary based on CCT, optical lens, and bevel finish.

## HOUSING DIMENSION



## TRIM DIMENSION



## MODULE/HEATSINK, LED HOLDER & FILTER DIMENSION

