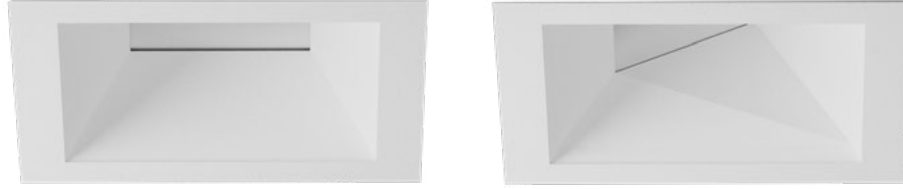


## 3" LED ARCHITECTURAL SQUARE FLANGE ADJUSTABLE NEW CONSTRUCTION: IC & NON IC



### GENERAL INFORMATION

#### USE OF PRODUCT

The 3" Prime Adjustable is a small aperture fixture with a shallow housing height of 4 3/4", which is ideal for residential and commercial applications. Available options include die-cast or spun aluminum trims, various color temperatures, optics, filters, and dimmable drivers.

#### LED ENGINE

LED engine available in 2700K, 3000K, 3500K, or 4000K in standard 90+ CRI. 2-step MacAdam ellipse allows for color consistency between fixtures. The LED is mounted to an aluminum heat sink for maximum life output and thermal management. LED engine is accessible from below the ceiling.

#### OPTICAL LENS

Field replaceable optical lenses are available in 12°, 30°, 35°, 40°, 50°, and 60°. Easily achieve narrow spot to wide flood beam pattern.

#### FRAME CONSTRUCTION

IC and Non-IC rated housing are constructed from a 16-gauge heavy-duty, powder-coated cold-rolled steel frame and includes a junction box with 1/2" knockouts. Butterfly brackets (included) accommodate universal or C-channel hangers (order separately).

#### ADJUSTMENT

- Light engine allows for hot aiming from 0-40°.
- Housing supports 359° locking rotation.
- Aperture collar compatible up to 1 1/2" ceiling thickness. Consult factory for made-to-order aperture collars exceeding 1 1/2".

#### DIMMING

Available in nine driver selections. (ID) Standard all-inclusive ELV (120V), Triac (120V), and 0-10V (120-277V) dimming driver called Intelligent Drive, (EEI) eldoLED 1% Dim 0-10V, (EES) eldoLED 1% Dim 0-10V (120-277V) and Triac (120V), Max 20W, (EDIO) eldoLED 0.1 Dim 0-10V, (EDID) eldoLED 0.1% Dim DALI, (EDD) eldoLED 1% Dim DALI2, (LDE1) Lutron Hi-Lume 1% Ecosystem with Soft-on, Fade-to-Black Dimming, (L3DA) Hi-Lume 1% Ecosystem/3-Wire L3D Driver, (PEQO) Lutron Hi-Lume Premier Ecosystem 0.1% with Soft-on, Fade-to-Black Dimming.

#### TRIM

Flange trims available in die-cast or spun aluminum. Trim includes standard frosted acrylic diffuser. Remove standard frosted acrylic diffuser in field for 7% lumens increase. Consult factory for made-to-order finishes. Wet location for bathrooms and showers with standard lens on trim.

#### EMERGENCY BATTERY

Optional Emergency Battery (EM) available in 4W (≈400 lm), 8W (≈800 lm), or 15W (≈1,500 lm) available for a minimum of 90 minutes. Please review page 7 for integral or remote EM and test switch options with solutions that allow for EM replacement from below the ceiling.

#### LABELS/COMPLIANCE/WARRANTY

- CSA listed for US and Canada
- Energy Star certified product
- Dry/Damp/Wet location rated
- State of California Title 24 and JA8 compliant
- Chicago Plenum with IC Housing
- 5-year limited warranty.



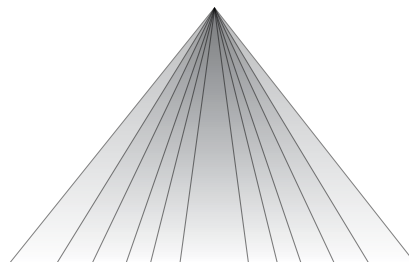
### GENERAL PERFORMANCE CHART

\*Detailed performance chart may be found on page 3

	6W	9W	12W	15W	20W	24W	28W	32W
<b>Initial Lumens</b>	657/955	890/1296	1122/1618	1267/2015	1485/2422	2799	3128	3405
<b>Delivered Lumens</b>	436-720	598-986	758-1255	947-1558	1113-1912	1284-2202	1437-2455	1566-2776

\* Values are listed at 3000K, 90+ CRI with a white bevel & trim.  
Delivered lumens range based on beam spread.  
Performance may vary +/- 5%

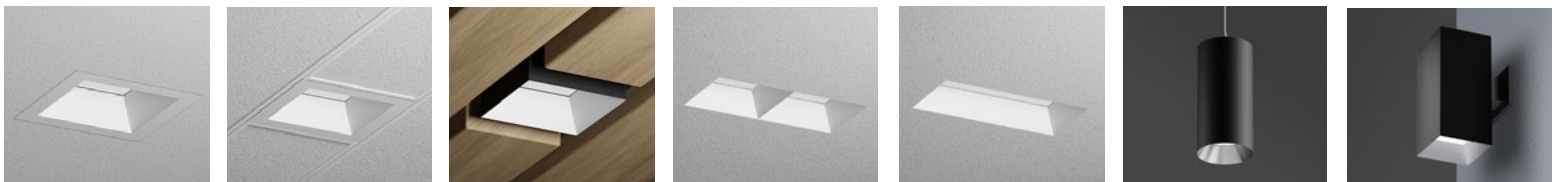
### BEAM SPREAD



Available optics: 12° 30° 35° 40° 50° 60°

- Field replaceable TIR optics
- Easily achieve narrow spot to wide flood beam pattern
- Optional filters available upon request

### PRIME FAMILY OF PRODUCTS



Downlight      TechZone®      WoodWorks®      Multiple Dedicated Bevel      Multiple Open Bevel      Cylinder      Square Luminaire

## 3" LED ARCHITECTURAL SQUARE FLANGE ADJUSTABLE NEW CONSTRUCTION: IC & NON IC

### ORDERING INFORMATION

Series	Wattage	Dimming	Color Temperature	Optical Lens	Filter
RPA3	<b>6W</b> - 6 Watt <b>9W</b> - 9 Watt <b>12W</b> - 12 Watt <b>15W</b> - 15 Watt <b>20W</b> - 20 Watt <b>24W</b> - 24 Watt <b>28W<sup>1</sup></b> - 28 Watt <b>32W<sup>1</sup></b> - 32 Watt	<b>ID<sup>2</sup></b> - Standard All-Inclusive ELV, Triac, and 0–10V Dimming Driver (Intelligent Drive) <b>EEl<sup>3</sup></b> - eldoLED 1% Dim (0–10V) <b>EEIS<sup>4</sup></b> - eldoLED 1% Dim 0-10V (120-277V), Triac (120V), Max 20W <b>EDIO<sup>3</sup></b> - eldoLED 0.1% Dim (0-10V) <b>EDID<sup>3</sup></b> - eldoLED 0.1% Dim (DALI) <b>EDD<sup>3</sup></b> - eldoLED 1% Dim (DALI2) <b>LDE1<sup>5</sup></b> - Lutron Hi-Lume 1% Ecosystem with Soft-on, Fade-to-Black Dimming <b>L3DA<sup>5</sup></b> - Hi-Lume 1% Ecosystem/3-Wire L3D Driver <b>PEQO</b> - Lutron Hi-Lume Premier Ecosystem 0.1% with Soft-on, Fade-to-Black Dimming	<b>27K</b> - 2700K <b>30K</b> - 3000K <b>35K</b> - 3500K <b>40K</b> - 4000K	<b>12<sup>6/7</sup></b> - 12° <b>30</b> - 30° <b>35</b> - 35° <b>40</b> - 40° <b>50</b> - 50° <b>60</b> - 60°	<b>Blank</b> - None <b>F</b> - Frosted Filter <b>H</b> - Honey Comb <b>S</b> - Solite Filter <b>L</b> - Linear Filter

Housing Type	Collar	Module Type	Frame Accessories	Options
<b>IC<sup>8</sup></b> - IC Air-Tight New Construction <b>NC</b> - Non-IC New Construction	<b>CS10</b> - 1.0" Depth <b>CS15</b> - 1.5" Depth <b>MTO</b> - Made To Order	<b>AMH</b> - Adjustable	<b>UH</b> - Universal Bar Hanger <b>C</b> - C-Channel Bar Hanger	<b>ER4W<sup>9</sup></b> - Emergency Battery with Remote test switch (400 lm) <b>ER8W<sup>10</sup></b> - Emergency Battery with Remote test switch (800 lm) <b>ER15W<sup>10</sup></b> - Emergency Battery with Remote test switch (1,500 lm) <b>347V</b> - 347V Step down transformer <b>CP<sup>11</sup></b> - Chicago Plenum

### TRIM ORDERING INFORMATION

#### DIE-CAST

Bevel / Flange Finish	Trim Type	Bevel	Flange
May be mixed and matched <b>3" Square Flange Open</b>	3SFO-CL	<b>W</b> - White	<b>W</b> - White
	3SFO-CL	<b>B</b> - Black	<b>B</b> - Black
	3SFO-CL	<b>H</b> - Haze	<b>BZ</b> - Bronze
	3SFO-CL	<b>BZ</b> - Bronze	<b>MTO</b> - Made To Order
	3SFO-CL	<b>MTO</b> - Made To Order	
<b>3" Square Flange Accent</b>	3SFA-CL	<b>W</b> - White	<b>W</b> - White
	3SFA-CL	<b>B</b> - Black	<b>B</b> - Black
	3SFA-CL	<b>H</b> - Haze	<b>BZ</b> - Bronze
	3SFA-CL	<b>BZ</b> - Bronze	<b>MTO</b> - Made To Order
	3SFA-CL	<b>MTO</b> - Made To Order	

#### Notes

- Not available in IC housing.
- Intelligent Drive is the standard driver.
- Must specify logarithmic or linear eldoLED driver.
- Driver available up to 20W and programmed only in linear mode.
- Not offered in 6W.
- 12° available up to 20W.
- 12° spread without lens on trim.
- Not available in 28W and 32W.
- Available in IC housing only.
- Ceiling access is required for IC housing to replace the EM unit.
- Requires IC housing.

## 3" LED ARCHITECTURAL SQUARE FLANGE ADJUSTABLE NEW CONSTRUCTION: IC & NON IC

### PERFORMANCE CHART

Optics		<sup>1</sup> 12°	30°	35°	40°	50°	60°
<b>6W</b>	Initial Lumens	657	955	955	955	955	955
	Delivered Lumens	555	645	720	717	658	436
	UGR		11.8	12	15.1	18.1	19.1
<b>9W</b>	Initial Lumens	890	1296	1296	1296	1296	1296
	Delivered Lumens	750	883	986	986	900	598
	UGR		13.1	13.3	16.5	19.6	20.5
<b>12W</b>	Initial Lumens	1122	1618	1618	1618	1618	1618
	Delivered Lumens	941	1120	1248	1255	1140	758
	UGR		13.6	13.9	17.1	20.1	21.2
<b>15W</b>	Initial Lumens	1267	2015	2015	2015	2015	2015
	Delivered Lumens	1007	1375	1558	1558	1493	947
	UGR		14.4	14.6	17.8	20.8	22.7
<b>20W</b>	Initial Lumens	1485	2422	2422	2422	2422	2422
	Delivered Lumens	1187	1689	1912	1887	1803	1113
	UGR		15.1	15.4	18.5	21.5	22.5
<b>24W</b>	Initial Lumens		2799	2799	2799	2799	2799
	Delivered Lumens		1947	2202	2185	2083	1284
	UGR		15.6	15.9	19	22	23
<b>28W</b>	Initial Lumens		3128	3128	3128	3128	3128
	Delivered Lumens		2173	2455	2446	2328	1437
	UGR		16	16.3	19.4	22.4	23.4
<b>32W</b>	Initial Lumens		3405	3405	3405	3405	3405
	Delivered Lumens		2362	2776	2666	2533	1566
	UGR		17.8	17	19.7	22.6	23.7

\* Values are listed at 3000K, 90+ CRI with a white bevel & trim.

Notes

1. 12° spread without lens on trim

### COLOR TEMPERATURE MULTIPLIER FOR DELIVERED LUMENS

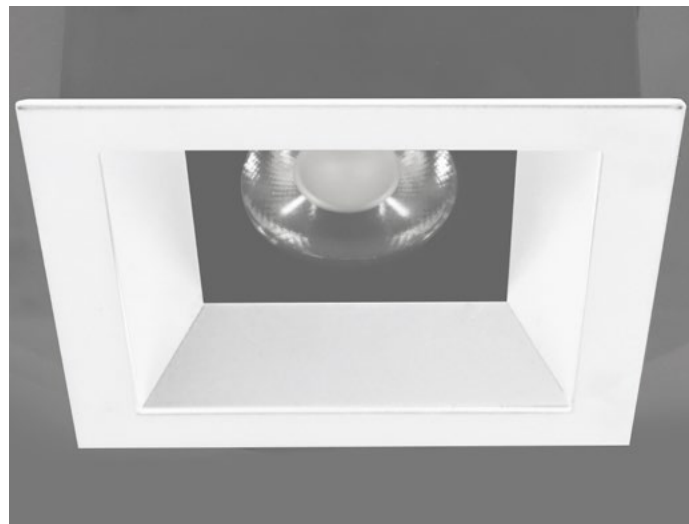
2700K	3000K	3500K	4000K
0.95	1.00	1.04	1.07

### DIFFUSED LENS



- Listed IES files are with diffused lens

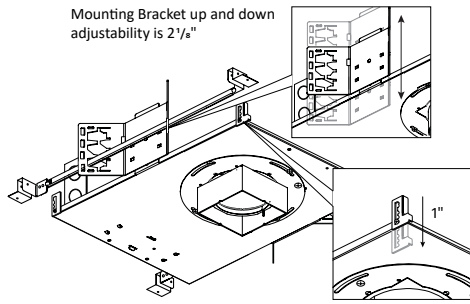
### OPTIONAL FIELD REMOVABLE LENS



- Not suitable for wet locations
- Increase in lumens by approximately 7%

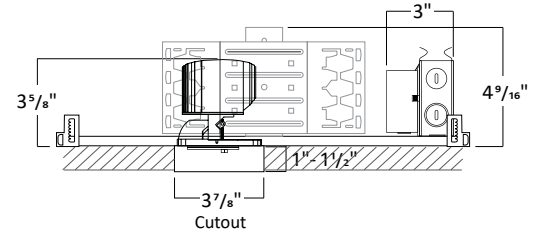
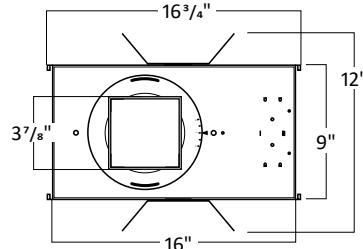
## 3" LED ARCHITECTURAL SQUARE FLANGE ADJUSTABLE NEW CONSTRUCTION: IC & NON IC

### NON-IC HOUSING DIMENSIONS 6W-20W



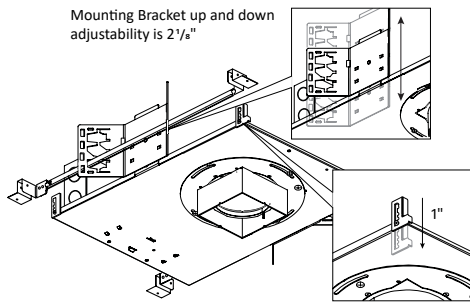
NC - Non-IC New Construction

Universal bar hanger mounts on the length or width side of the fixture;  
Ceiling mount bracket provides 1" adjustability.



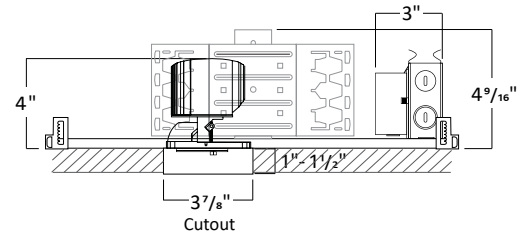
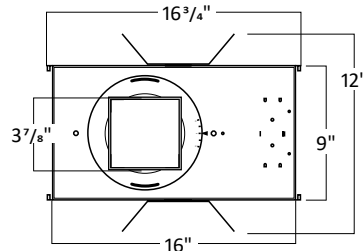
1. Must remove spacer to achieve 1/2" collar height
2. Consult factory for Made to Order collar height
3. Allow 1/8" tolerance

### NON-IC HOUSING DIMENSIONS 24W-32W



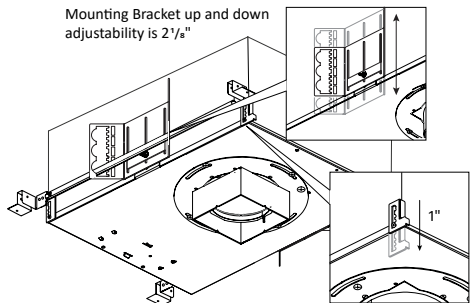
NC - Non-IC New Construction

Universal bar hanger mounts on the length or width side of the fixture;  
Ceiling mount bracket provides 1" adjustability.



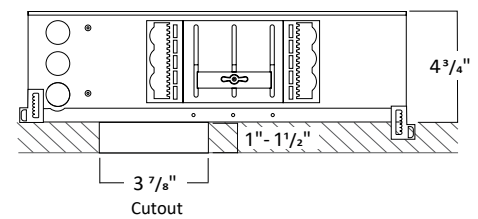
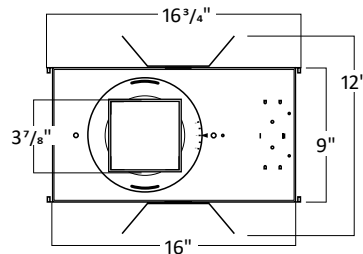
1. Must remove spacer to achieve 1/2" collar height
2. Consult factory for Made to Order collar height
3. Allow 1/8" tolerance

### IC HOUSING DIMENSIONS 6W-24W



IC - IC Air-Tight New Construction

Universal bar hanger mounts on the length or width side of the fixture;  
Ceiling mount bracket provides 1" adjustability.



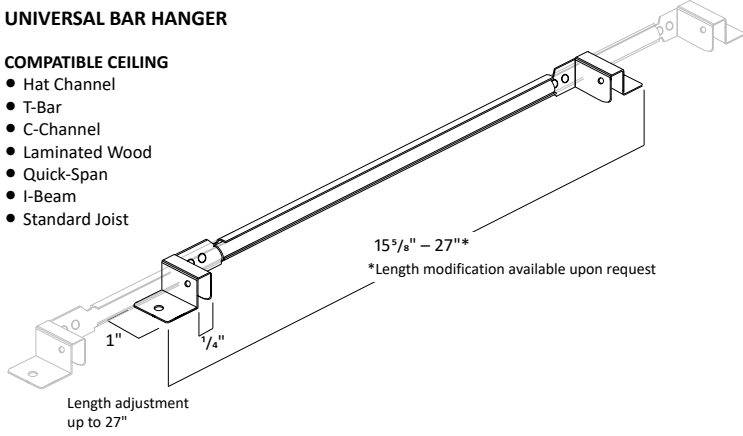
## 3" LED ARCHITECTURAL SQUARE FLANGE ADJUSTABLE NEW CONSTRUCTION: IC & NON IC

### FRAME ACCESSORIES

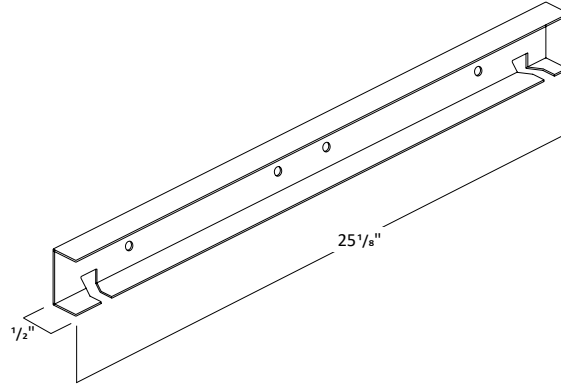
#### UNIVERSAL BAR HANGER

##### COMPATIBLE CEILING

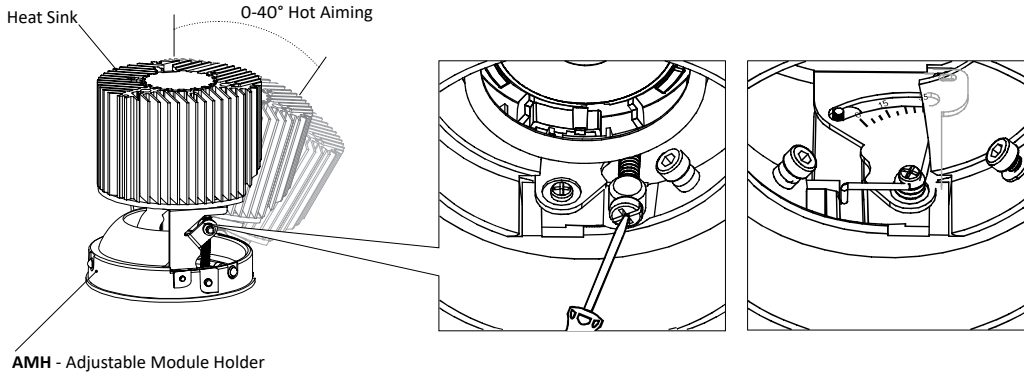
- Hat Channel
- T-Bar
- C-Channel
- Laminated Wood
- Quick-Span
- I-Beam
- Standard Joist



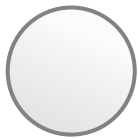
#### C-CHANNEL BAR HANGER



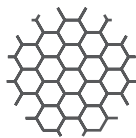
### MODULE DIMENSIONS



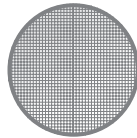
### FILTERS



Frosted Filter



Honey Comb



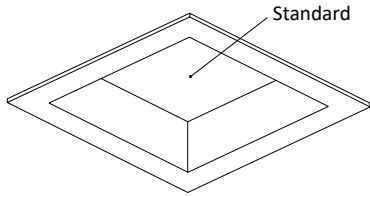
Solite Filter



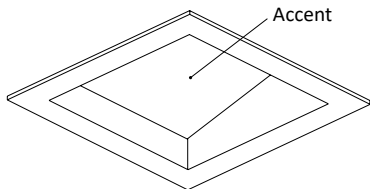
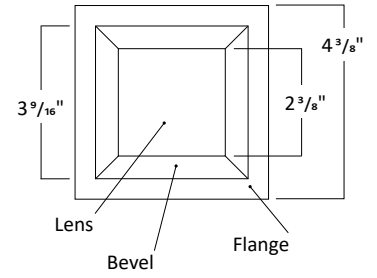
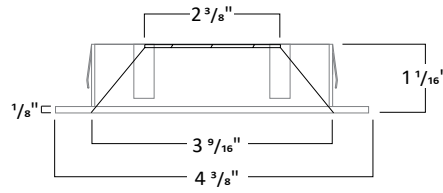
Linear Filter

3" LED ARCHITECTURAL SQUARE FLANGE ADJUSTABLE  
NEW CONSTRUCTION: IC & NON IC

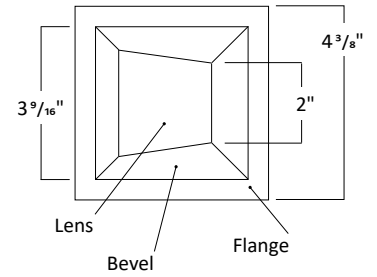
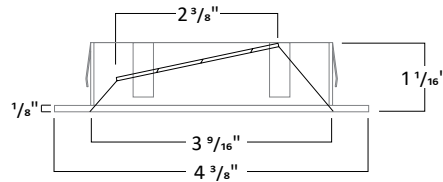
## TRIM DIMENSIONS



3SFO-CL



3SFA-CL



### TRIM FINISH

May be mixed and matched



White



Black



Haze

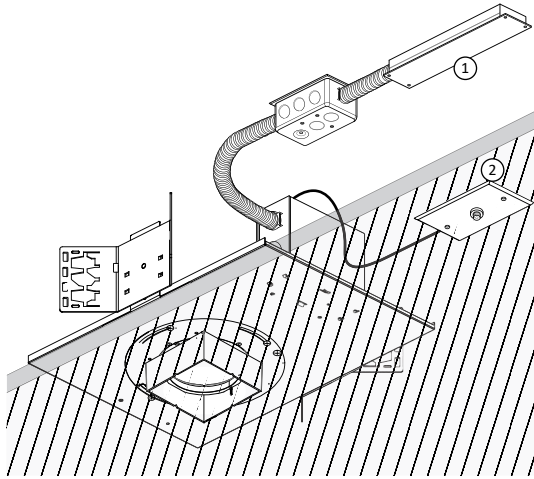


Bronze

\*Consult Factory for Made to Order Finishes

## 3" LED ARCHITECTURAL SQUARE FLANGE ADJUSTABLE NEW CONSTRUCTION: IC & NON IC

### REMOTE EMERGENCY BATTERY: NON-IC NEW CONSTRUCTION HOUSING

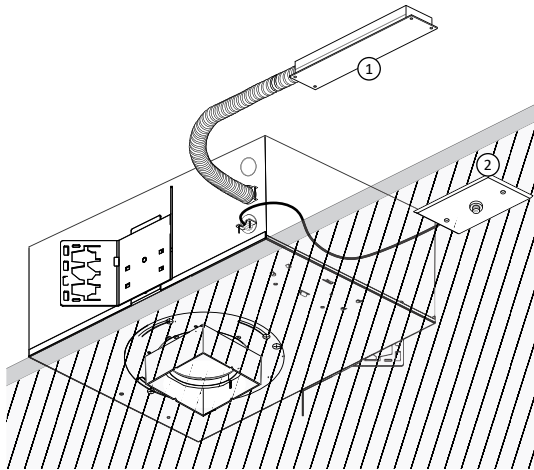


**NC** - Non-IC New Construction

**ER8W** and **ER15W** is an 8W and 15W Emergency Battery that is remote to the fixture with a remote test switch. The EM unit is accessible from below the ceiling for replacement purposes.

1. Remote Emergency Battery
2. Remote Test Switch

### REMOTE EMERGENCY BATTERY: IC NEW CONSTRUCTION HOUSING

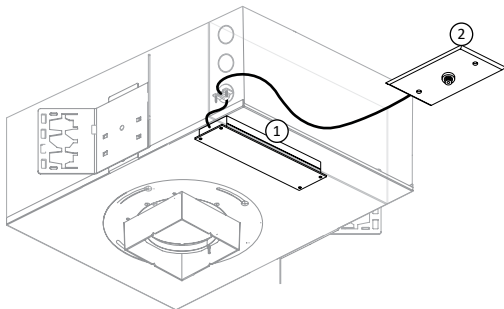


**IC** - IC Air-Tight New Construction

**ER8W** and **ER15W** is an 8W and 15W Emergency Battery that is remote to the fixture with a remote test switch. Ceiling access is required for replacement purposes

1. Remote Emergency Battery
2. Remote Test Switch

### INTEGRAL EMERGENCY BATTERY: IC NEW CONSTRUCTION HOUSING



**IC** - IC Air-Tight New Construction

**ER4W** is an 4W Emergency Battery that is integral to the fixture with an remote test switch. The EM unit is accessible from below the ceiling for replacement purposes.

\*Available in IC housing only

1. Integral Emergency Battery
2. Remote Test Switch