

## 3" LED ARCHITECTURAL SQUARE FLANGE DOWNLIGHT WITH WARM DIM NEW CONSTRUCTION: IC & NON IC



WARM DIM

### GENERAL INFORMATION

#### USE OF PRODUCT

The 3" Prime series with Warm Dim is a small aperture fixture with a shallow housing height of 4 3/4", which is ideal for residential and commercial applications. Available options include die-cast or spun aluminum trims, various optics, and dimmable drivers. Warm Dim color temperature gradually transitions from 3000K to 1800K simulating natural sunsets.

#### LED ENGINE

LED engine available with Warm Dim standard 90+ CRI. 2-step MacAdam ellipse allows for color consistency between fixtures. The LED is mounted to an aluminum heat sink for maximum life output and thermal management. Light engine provides a quick disconnect with locking strain relief to housing.

#### FRAME CONSTRUCTION

IC and Non-IC rated housing are constructed from a 16-gauge heavy-duty, powder-coated cold-rolled steel frame and includes a junction box with 1/2" knockouts. Butterfly brackets (included) accommodate universal or C-channel hangers (order separately).

#### ADJUSTMENT

- Housing supports 359° locking rotation.
- Aperture collar compatible up to 1 1/2" ceiling thickness. Consult factory for made-to-order aperture collars exceeding 1 1/2".

#### OPTICAL LENS

Field replaceable optical lenses are available in 25°, 30°, 40°, 50°, and 70°. Easily achieve narrow spot to wide flood beam pattern.

#### DIMMING

Available in nine driver selections. (ID) Standard all-inclusive ELV (120V), Triac (120V), and 0-10V (120-277V) dimming driver called Intelligent Drive, (EEL) eldoLED 1% Dim 0-10V, (EES) eldoLED 1% Dim 0-10V (120-277V) and Triac (120V), Max 20W, (EDIO) eldoLED 0.1 Dim 0-10V, (EDID) eldoLED 0.1% Dim DALI, (EDD) eldoLED 1% Dim DALI2, (LDE1) Lutron Hi-Lume 1% Ecosystem with Soft-on, Fade-to-Black Dimming, (L3DA) Hi-Lume 1% Ecosystem/3-Wire L3D Driver, (PEQ0) Lutron Hi-Lume Premier Ecosystem 0.1% with Soft-on, Fade-to-Black Dimming.

#### TRIM

Flange trims available in die-cast or spun aluminum. Trim includes standard frosted acrylic diffuser. Remove standard frosted acrylic diffuser in field for 7% lumens increase. Consult factory for made-to-order finishes. Wet location for bathrooms and showers with standard lens on trim.

#### EMERGENCY BATTERY

Optional Emergency Battery (EM) available in 4W (≈400 lm), 8W (≈800 lm), or 15W (≈1,500 lm) available for a minimum of 90 minutes. Please review page 6 for integral or remote EM and test switch options with solutions that allow for EM replacement from below the ceiling.

#### LABELS/COMPLIANCE/WARRANTY

- CSA Listed for US and Canada.
- Energy Star certified product.
- Dry/Damp/Wet location rated.
- State of California Title 24 and JA8 compliant.
- 5-year limited warranty.



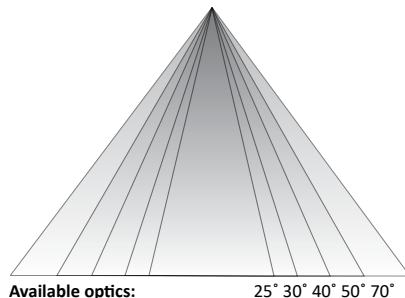
### GENERAL PERFORMANCE CHART

\*Detailed performance chart may be found on page 3

	6W	9W	12W	15W
Initial Lumens	597	847	1122	1360
Delivered Lumens	402-508	571-719	761-942	926-1122

\* Values are listed at 3000K, 90+ CRI with a white bevel & trim.  
Delivered lumens range based on beam spread.  
Performance may vary +/- 5%

### BEAM SPREAD



- Field replaceable TIR optics
- Easily achieve narrow spot to wide flood beam pattern
- Optional filters available upon request

### PRIME FAMILY OF PRODUCTS



## 3" LED ARCHITECTURAL SQUARE FLANGE DOWNLIGHT WITH WARM DIM NEW CONSTRUCTION: IC & NON IC

### ORDERING INFORMATION

Series	Wattage	Dimming	Color Temperature	Optical Lens	Filter
RPA3	6W - 6 Watt 9W - 9 Watt 12W - 12 Watt 15W - 15 Watt	<b>ID<sup>1</sup></b> - Standard All-Inclusive ELV, Triac, and 0-10V Dimming Driver (Intelligent Drive) <b>EEI<sup>2</sup></b> - eldoLED 1% Dim (0-10V) <b>EEIS<sup>3</sup></b> - eldoLED 1% Dim 0-10V (120-277V), Triac (120V), Max 20W <b>EDIO<sup>2</sup></b> - eldoLED 0.1% Dim (0-10V) <b>EDID<sup>2</sup></b> - eldoLED 0.1% Dim (DALI) <b>EDD<sup>2</sup></b> - eldoLED 1% Dim (DALI2) <b>LDE1<sup>4</sup></b> - Lutron Hi-Lume 1% Ecosystem with Soft-on, Fade-to-Black Dimming <b>L3DA<sup>4</sup></b> - Hi-Lume 1% Ecosystem/3-Wire L3D Driver <b>PEQ0</b> - Lutron Hi-Lume Premier Ecosystem 0.1% with Soft-on, Fade-to-Black Dimming	<b>WD</b> - Warm Dim	<b>25</b> - 25° <b>30</b> - 30° <b>40</b> - 40° <b>50</b> - 50° <b>70</b> - 70°	<b>Blank</b> - None <b>F</b> - Frosted Filter <b>H</b> - Honey Comb <b>S</b> - Solite Filter <b>L</b> - Linear Filter

Housing Type	Collar	Module Type	Frame Accessories
<b>IC</b> - IC Air-Tight New Construction <b>NC</b> - Non-IC New Construction	<b>CS10</b> - 1.0" Depth <b>CS15</b> - 1.5" Depth <b>MTO</b> - Made To Order	<b>FMH</b> - Downlight	<b>UH</b> - Universal Bar Hanger <b>C</b> - C-Channel Bar Hanger

Options	Wireless Controls
<b>ER4W<sup>5</sup></b> - Emergency Battery with Remote test switch (400 lm) <b>ER8W<sup>6</sup></b> - Emergency Battery with Remote test switch (800 lm) <b>ER15W<sup>6</sup></b> - Emergency Battery with Remote test switch (1,500 lm) <b>CP<sup>7</sup></b> - Chicago Plenum	<b>AWN</b> - Athena Wireless (Lutron) <b>CLM</b> - Connected Lighting Module (Legrand Wattstopper)

- Notes**
- Intelligent Drive is the standard driver.
  - Must specify logarithmic or linear eldoLED driver.
  - Driver programmed only in linear mode.
  - Not offered in 6W.
  - Available in IC housing only.
  - Ceiling access is required for IC housing to replace the EM unit.
  - Requires IC housing.

### TRIM ORDERING INFORMATION

#### DIE-CAST

Bevel / Flange Finish	Trim Type	Bevel	Flange	
May be mixed and matched	<b>3" Square Flange Regress Small Opening</b>	3SFO-CS	<b>W</b> - White	<b>W</b> - White
		3SFO-CS	<b>B</b> - Black	<b>B</b> - Black
		3SFO-CS	<b>H</b> - Haze	<b>BZ</b> - Bronze
		3SFO-CS	<b>BZ</b> - Bronze	<b>MTO</b> - Made To Order
		3SFO-CS	<b>C</b> - Clear	
		3SFO-CS	<b>MTO</b> - Made To Order	
	<b>3" Square Flange Regress Large Opening</b>	3SFO-CL	<b>W</b> - White	<b>W</b> - White
		3SFO-CL	<b>B</b> - Black	<b>B</b> - Black
		3SFO-CL	<b>H</b> - Haze	<b>BZ</b> - Bronze
		3SFO-CL	<b>BZ</b> - Bronze	<b>MTO</b> - Made To Order
		3SFO-CL	<b>C</b> - Clear	
		3SFO-CL	<b>MTO</b> - Made To Order	

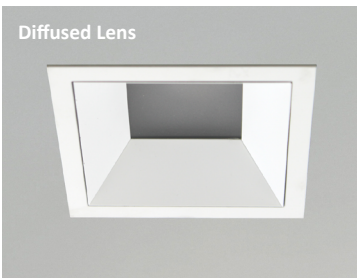
3" LED ARCHITECTURAL SQUARE FLANGE DOWNLIGHT WITH WARM DIM  
NEW CONSTRUCTION: IC & NON IC

PERFORMANCE CHART

Optics		25°	30°	40°	50°	70°
<b>6W</b>	Initial Lumens	597	597	597	597	597
	Delivered Lumens	463	508	487	486	402
	UGR	11.7	11.4	14.2	17.1	20.2
<b>9W</b>	Initial Lumens	847	847	847	847	847
	Delivered Lumens	660	719	691	688	571
	UGR	13	12.6	15.4	18.4	21.5
<b>12W</b>	Initial Lumens	1122	1122	1122	1122	1122
	Delivered Lumens	879	942	913	905	761
	UGR	14.0	13.7	16.3	19.4	22.5
<b>15W</b>	Initial Lumens	1360	1360	1360	1360	1360
	Delivered Lumens	1072	1122	1108	1079	926
	UGR	14.7	14.4	17.0	20.0	23.2

3SFO-CS REGRESS SMALL OPENING

3SFO-CL REGRESS LARGE OPENING



- IES files are based on the large opening trim with diffused lens.

- Not suitable for wet locations
- Increase in lumens by approximately 7%

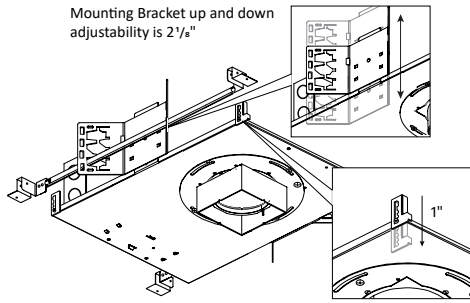


- IES files are based on the large opening trim with diffused lens.

- Not suitable for wet locations
- Increase in lumens by approximately 7%

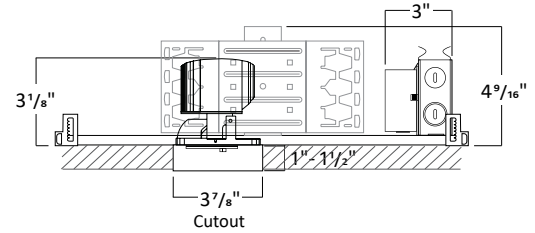
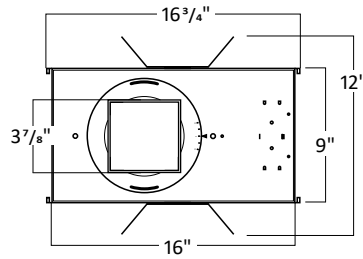
## 3" LED ARCHITECTURAL SQUARE FLANGE DOWNLIGHT WITH WARM DIM NEW CONSTRUCTION: IC & NON IC

### NON-IC HOUSING DIMENSIONS 6W-15W



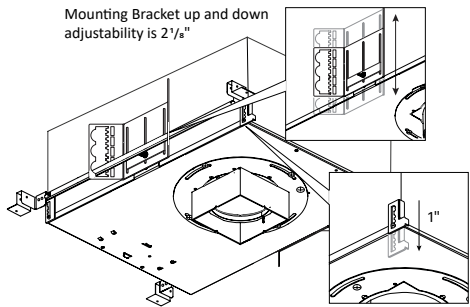
NC - Non-IC New Construction

Universal bar hanger mounts on the length or width side of the fixture;  
Ceiling mount bracket provides 1" adjustability.



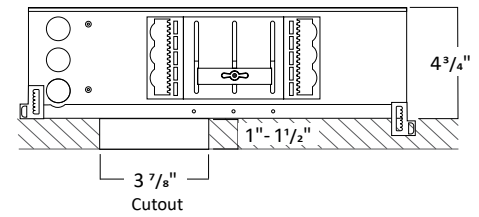
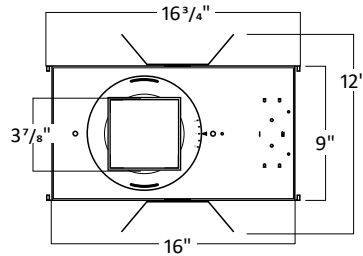
1. Must remove spacer to achieve 1 1/2" collar height
2. Consult factory for Made to Order collar height
3. Allow 1/8" tolerance

### IC HOUSING DIMENSIONS 6W-15W



IC - IC Air-Tight New Construction

Universal bar hanger mounts on the length or width side of the fixture;  
Ceiling mount bracket provides 1" adjustability.

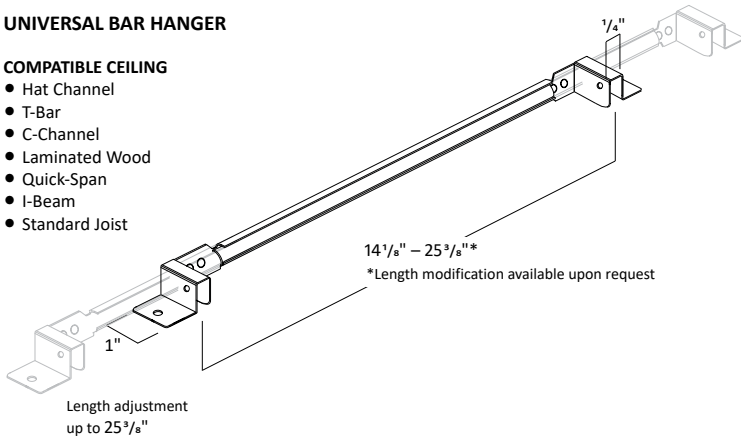


### FRAME ACCESSORIES

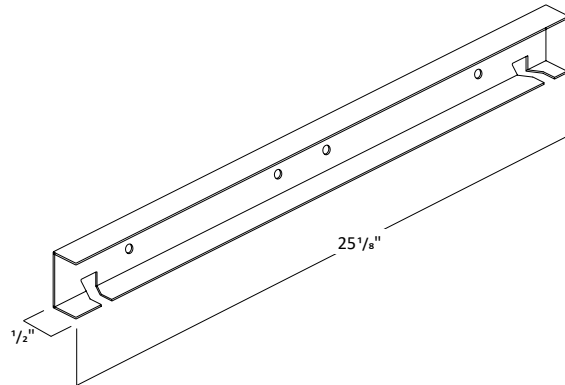
#### UNIVERSAL BAR HANGER

##### COMPATIBLE CEILING

- Hat Channel
- T-Bar
- C-Channel
- Laminated Wood
- Quick-Span
- I-Beam
- Standard Joist

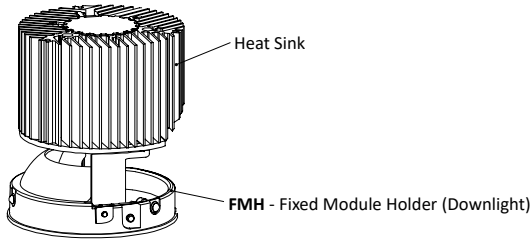


#### C-CHANNEL BAR HANGER

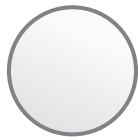


## 3" LED ARCHITECTURAL SQUARE FLANGE DOWNLIGHT WITH WARM DIM NEW CONSTRUCTION: IC & NON IC

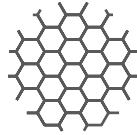
### LED MODULE



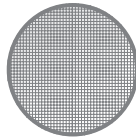
### FILTERS



Frosted Filter



Honey Comb

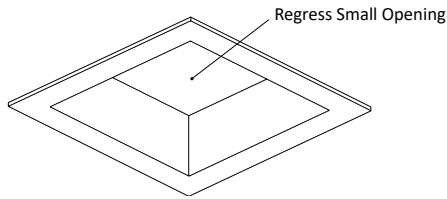


Solite Filter

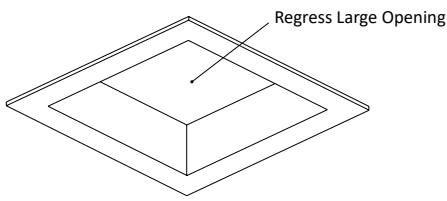
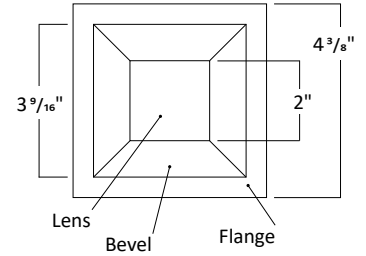
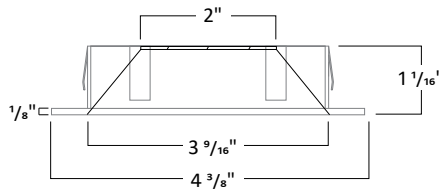


Linear Filter

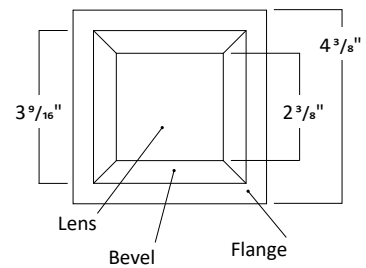
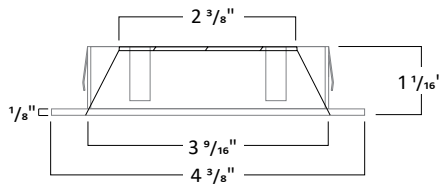
### TRIM DIMENSIONS



3SFO-CS



3SFO-CL



### TRIM FINISH

May be mixed and matched



White



Black



Haze



Bronze

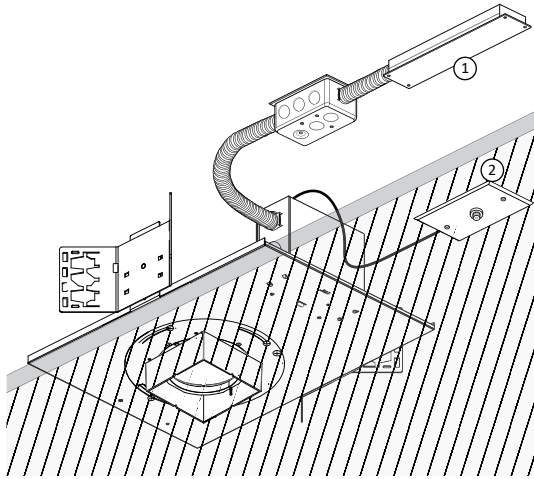


Clear

\*Consult Factory for Made to Order Finishes

## 3" LED ARCHITECTURAL SQUARE FLANGE DOWNLIGHT WITH WARM DIM NEW CONSTRUCTION: IC & NON IC

### REMOTE EMERGENCY BATTERY: NON-IC NEW CONSTRUCTION HOUSING

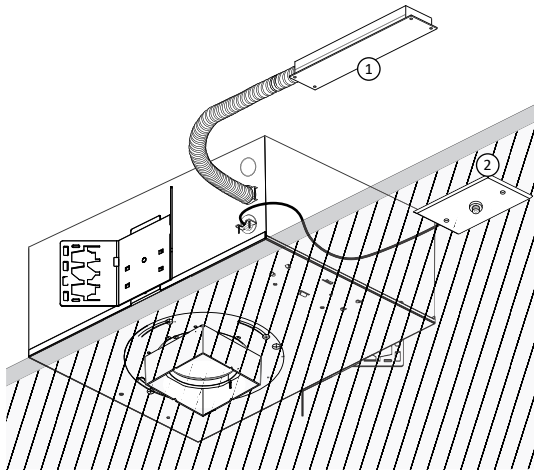


**NC - Non-IC New Construction**

**ER8W** and **ER15W** is an 8W and 15W Emergency Battery that is remote to the fixture with a remote test switch. The EM unit is accessible from below the ceiling for replacement purposes.

1. Remote Emergency Battery
2. Remote Test Switch

### REMOTE EMERGENCY BATTERY: IC NEW CONSTRUCTION HOUSING

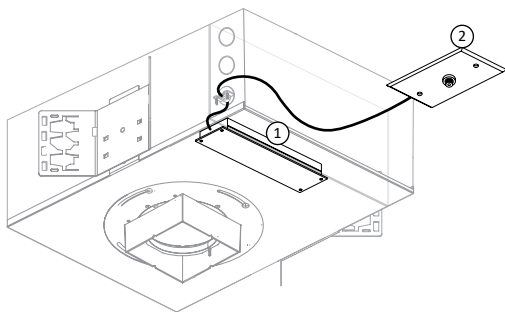


**IC - IC Air-Tight New Construction**

**ER8W** and **ER15W** is an 8W and 15W Emergency Battery that is remote to the fixture with a remote test switch. Ceiling access is required for replacement purposes

1. Remote Emergency Battery
2. Remote Test Switch

### INTEGRAL EMERGENCY BATTERY: IC NEW CONSTRUCTION HOUSING



**IC - IC Air-Tight New Construction**

**ER4W** is an 4W Emergency Battery that is integral to the fixture with an remote test switch. The EM unit is accessible from below the ceiling for replacement purposes.

\*Available in IC housing only

1. Integral Emergency Battery
2. Remote Test Switch