

## 3" LED ARCHITECTURAL SQUARE FLANGE WALL WASH NEW CONSTRUCTION: IC & NON IC



### GENERAL INFORMATION

#### USE OF PRODUCT

The 3" Prime Wall Wash is a small aperture fixture with a shallow housing height of 4 3/4", which is ideal for residential and commercial applications. Available options include die-cast or spun aluminum trims, various color temperatures, optics, filters, and dimmable drivers.

#### LED ENGINE

LED engine available in 2700K, 3000K, 3500K, or 4000K in standard 90+ CRI. 2-step MacAdam ellipse allows for color consistency between fixtures. The LED is mounted to an aluminum heat sink for maximum life output and thermal management. LED engine is accessible from below the ceiling.

#### OPTICAL LENS

Field replaceable optical lenses are available in 15°, 24°, 36°, 50°, and 80°. Easily achieve narrow spot to wide flood beam pattern.

#### FRAME CONSTRUCTION

IC and Non-IC rated housing are constructed from a 16-gauge heavy-duty, powder-coated cold-rolled steel frame and includes a junction box with 1/2" knockouts. Butterfly brackets (included) accommodate universal or C-channel hangers (order separately).

#### ADJUSTMENT

- Light engine locked at 20° tilt, consult factory for other tilt settings.
- Housing supports 359° locking rotation.
- Aperture collar compatible up to 1 1/2" ceiling thickness. Consult factory for made-to-order aperture collars exceeding 1 1/2".

#### DIMMING

Available in nine driver selections. (ID) Standard all-inclusive ELV (120V), Triac (120V), and 0-10V (120-277V) dimming driver called Intelligent Drive, (EEI) eldoLED 1% Dim 0-10V, (EES) eldoLED 1% Dim 0-10V (120-277V) and Triac (120V), Max 20W, (EDIO) eldoLED 0.1 Dim 0-10V, (EDID) eldoLED 0.1% Dim DALI, (EDD) eldoLED 1% Dim DALI2, (LDE1) Lutron Hi-Lume 1% Ecosystem with Soft-on, Fade-to-Black Dimming, (L3DA) Hi-Lume 1% Ecosystem/3-Wire L3D Driver, (PEQO) Lutron Hi-Lume Premier Ecosystem 0.1% with Soft-on, Fade-to-Black Dimming.

#### TRIM

Flange trims available in die-cast or spun aluminum. Trim includes standard frosted acrylic diffuser. Remove standard frosted acrylic diffuser in field for 7% lumens increase. Consult factory for made-to-order finishes. Wet location for bathrooms and showers with standard lens on trim.

#### EMERGENCY BATTERY

Optional Emergency Battery (EM) available in 4W (≈400 lm), 8W (≈800 lm), or 15W (≈1,500 lm) available for a minimum of 90 minutes. Please review page 6 for integral or remote EM and test switch options with solutions that allow for EM replacement from below the ceiling.

#### LABELS/COMPLIANCE/WARRANTY

- CSA listed for US and Canada
- Energy Star certified product
- Dry/Damp/Wet location rated
- State of California Title 24 and JA8 compliant
- Chicago Plenum with IC Housing
- 5-year limited warranty



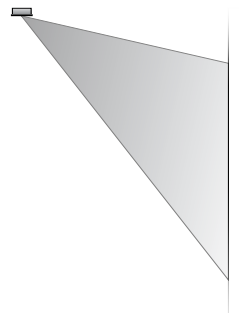
### GENERAL PERFORMANCE CHART

\*Detailed performance chart may be found on page 3

	6W	9W	12W	15W	20W	24W	28W	32W
<b>Initial Lumens</b>	955	1296	1618	2015	2422	2799	3128	3405
<b>Delivered Lumens</b>	417-659	815-899	709-1134	865-1365	1024-1660	1221-1948	1372-2249	1549-2582

\* Values are listed at 3000K, 90+ CRI with a white bevel & trim.  
Delivered lumens range based on beam spread.  
Performance may vary +/- 5%

### BEAM SPREAD



Field replaceable TIR optics

### PRIME FAMILY OF PRODUCTS



Downlight



TechZone®



WoodWorks®



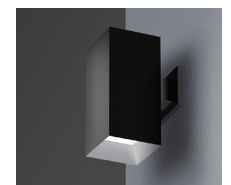
Multiple Dedicated Bevel



Multiple Open Bevel



Cylinder



Square Luminaire

## 3" LED ARCHITECTURAL SQUARE FLANGE WALL WASH NEW CONSTRUCTION: IC & NON IC

### ORDERING INFORMATION

Series	Wattage	Dimming	Color Temperature	Optical Lens
RPA3	6W - 6 Watt 9W - 9 Watt 12W - 12 Watt 15W - 15 Watt 20W - 20 Watt 24W - 24 Watt 28W <sup>2</sup> - 28 Watt 32W <sup>3</sup> - 32 Watt	ID <sup>2</sup> - Standard All-Inclusive ELV, Triac, and 0-10V Dimming Driver (Intelligent Drive) EEI <sup>3</sup> - eldoLED 1% Dim (0-10V) EEIS <sup>4</sup> - eldoLED 1% Dim 0-10V (120-277V), Triac (120V), Max 20W EDIO <sup>3</sup> - eldoLED 0.1% Dim (0-10V) EDID <sup>3</sup> - eldoLED 0.1% Dim (DALI) EDD <sup>3</sup> - eldoLED 1% Dim (DALI2) LDE1 <sup>5</sup> - Lutron Hi-Lume 1% Ecosystem with Soft-on, Fade-to-Black Dimming L3DA <sup>5</sup> - Hi-Lume 1% Ecosystem/3-Wire L3D Driver PEQO - Lutron Hi-Lume Premier Ecosystem 0.1% with Soft-on, Fade-to-Black Dimming	27K - 2700K 30K - 3000K 35K - 3500K 40K - 4000K	15 - 15° 24 - 24° 36 - 36° 50 - 50° 80 - 80°

Housing Type	Collar	Module Type	Frame Accessories
IC <sup>6</sup> - IC Air-Tight New Construction NC - Non-IC New Construction	CS10 - 1.0" Depth CS15 - 1.5" Depth MTO - Made To Order	AMHW - Wall Wash	UH - Universal Bar Hanger C - C-Channel Bar Hanger

Options	Wireless Controls	Notes
ER4W <sup>7</sup> - Emergency Battery with Remote test switch (400 lm) ER8W <sup>8</sup> - Emergency Battery with Remote test switch (800 lm) ER15W <sup>8</sup> - Emergency Battery with Remote test switch (1,500 lm) 347V - 347V Step down transformer CP <sup>9</sup> - Chicago Plenum	AWN - Athena Wireless (Lutron) CLM - Connected Lighting Module (Legrand Wattstopper)	<ol style="list-style-type: none"> <li>Not available in IC housing.</li> <li>Intelligent Drive is the standard driver.</li> <li>Must specify logarithmic or linear eldoLED diver.</li> <li>Driver available up to 20W and programmed only in linear mode.</li> <li>Not offered in 6W.</li> <li>Not available in 28W and 32W.</li> <li>Available in IC housing only.</li> <li>Ceiling access is required for IC housing to replace the EM unit.</li> <li>Requires IC housing.</li> </ol>

### TRIM ORDERING INFORMATION

#### DIE-CAST

Bevel / Flange Finish	Trim Type	Bevel	Flange
May be mixed and matched	3SFA-CL	W - White	W - White
3" Square Flange Accent	3SFA-CL	B - Black	B - Black
	3SFA-CL	H - Haze	BZ - Bronze
	3SFA-CL	BZ - Bronze	MTO - Made To Order
	3SFA-CL	C - Clear	
	3SFA-CL	MTO - Made To Order	

3" LED ARCHITECTURAL SQUARE FLANGE WALL WASH  
NEW CONSTRUCTION: IC & NON IC

## PERFORMANCE CHART

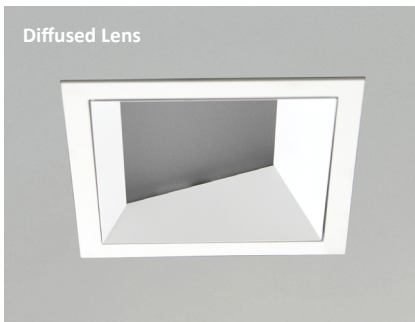
Optics		15°	24°	36°	50°	80°
6W	Initial Lumens	995	955	955	955	955
	Delivered Lumens	598	647	659	616	417
9W	Initial Lumens	1296	1296	1296	1296	1296
	Delivered Lumens	815	879	899	837	566
12W	Initial Lumens	1618	1618	1618	1618	1618
	Delivered Lumens	1025	1101	1134	1048	709
15W	Initial Lumens	2015	2015	2015	2015	2015
	Delivered Lumens	1262	1338	1365	1275	865
20W	Initial Lumens	2422	2422	2422	2422	2422
	Delivered Lumens	1505	1624	1660	1553	1024
24W	Initial Lumens	2799	2799	2799	2799	2799
	Delivered Lumens	1764	1899	1948	1825	1221
28W	Initial Lumens	3128	3128	3128	3128	3128
	Delivered Lumens	2028	2176	2249	2108	1372
32W	Initial Lumens	3405	3405	3405	3405	3405
	Delivered Lumens	2309	2502	2582	2438	1549

\* Values are listed at 3000K, 90+ CRI with a white bevel & trim.

## COLOR TEMPERATURE MULTIPLIER FOR DELIVERED LUMENS

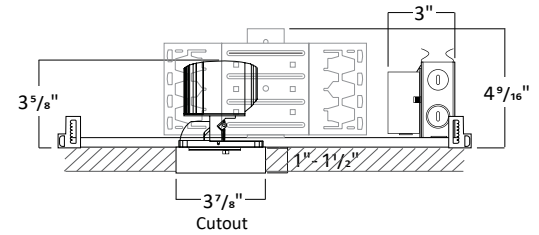
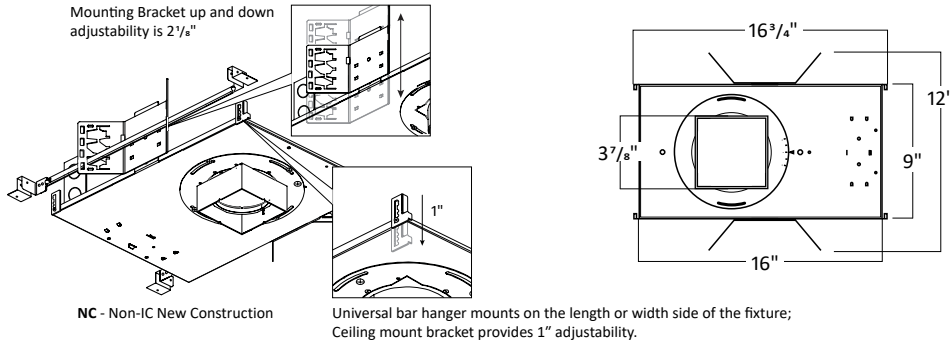
2700K	3000K	3500K	4000K
0.95	1.00	1.04	1.07

## 3SFA-CL ACCENT



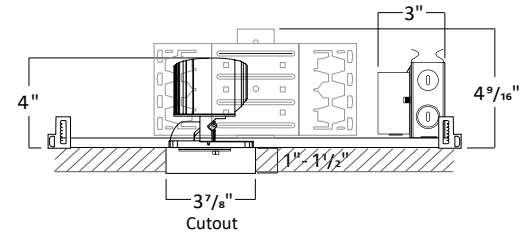
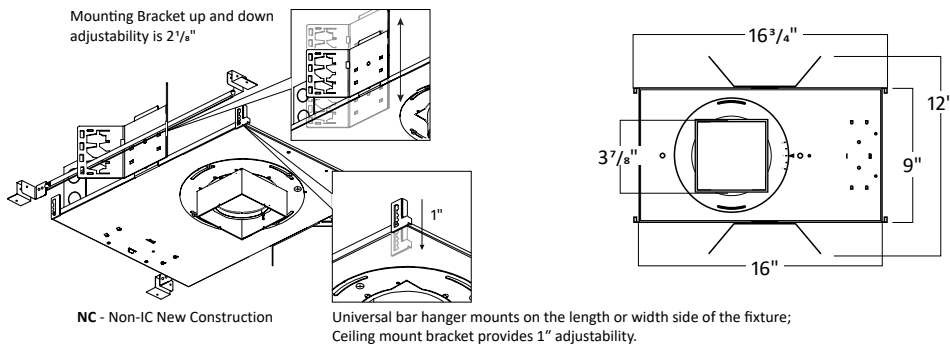
## 3" LED ARCHITECTURAL SQUARE FLANGE WALL WASH NEW CONSTRUCTION: IC & NON IC

### NON-IC HOUSING DIMENSIONS 6W-20W



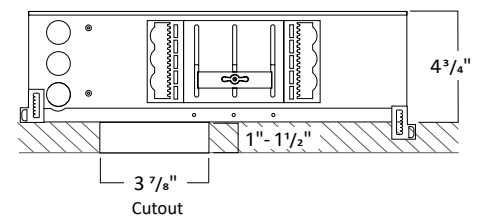
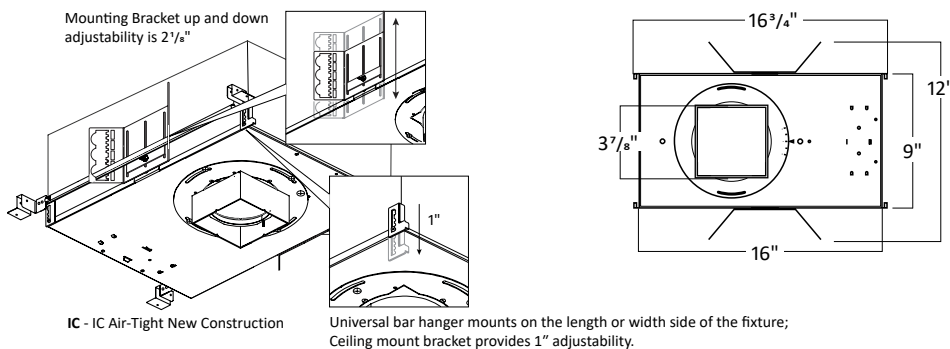
1. Must remove spacer to achieve 1 1/2" collar height
2. Consult factory for Made to Order collar height
3. Allow 1/8" tolerance

### NON-IC HOUSING DIMENSIONS 24W-32W



1. Must remove spacer to achieve 1 1/2" collar height
2. Consult factory for Made to Order collar height
3. Allow 1/8" tolerance

### IC HOUSING DIMENSIONS 6W-24W



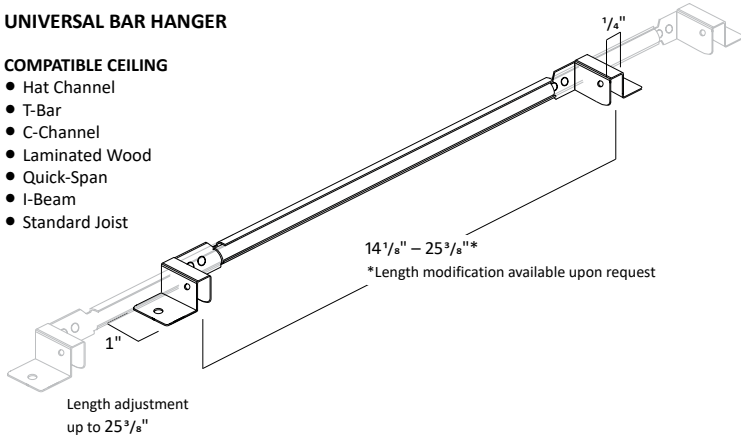
## 3" LED ARCHITECTURAL SQUARE FLANGE WALL WASH NEW CONSTRUCTION: IC & NON IC

### FRAME ACCESSORIES

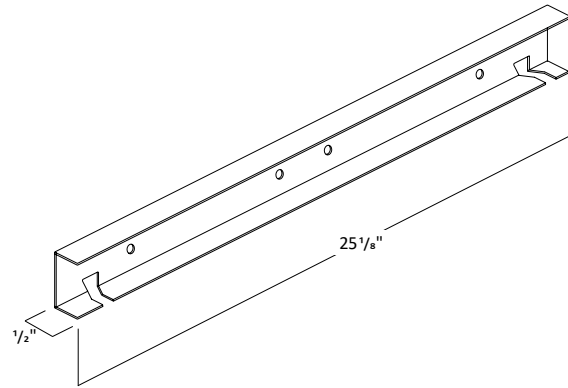
#### UNIVERSAL BAR HANGER

##### COMPATIBLE CEILING

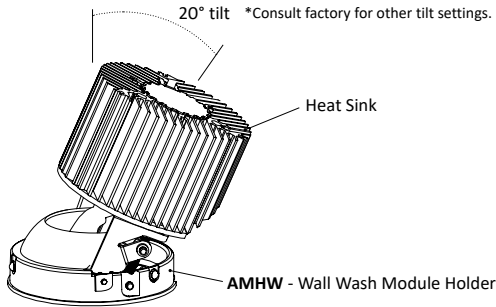
- Hat Channel
- T-Bar
- C-Channel
- Laminated Wood
- Quick-Span
- I-Beam
- Standard Joist



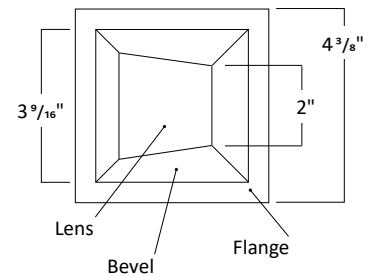
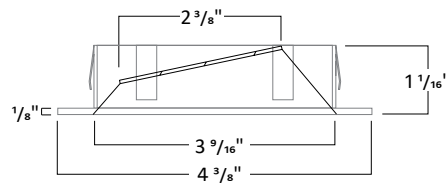
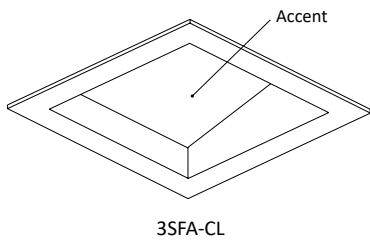
#### C-CHANNEL BAR HANGER



### LED MODULE



### TRIM DIMENSIONS



#### TRIM FINISH

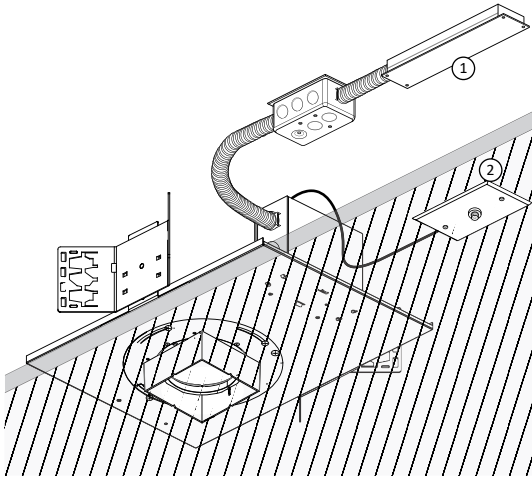
May be mixed and matched



\*Consult Factory for Made to Order Finishes

## 3" LED ARCHITECTURAL SQUARE FLANGE WALL WASH NEW CONSTRUCTION: IC & NON IC

### REMOTE EMERGENCY BATTERY: NON-IC NEW CONSTRUCTION HOUSING

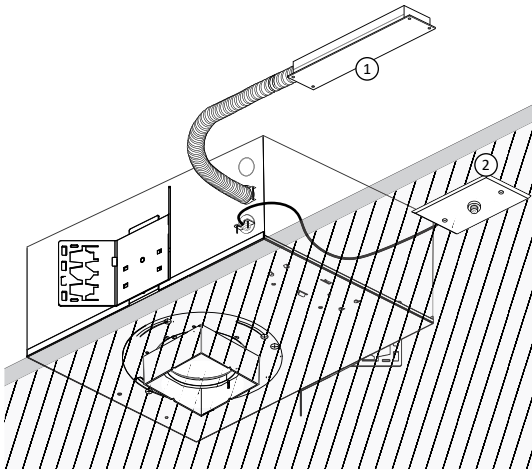


**NC** - Non-IC New Construction

**ER8W** and **ER15W** is an 8W and 15W Emergency Battery that is remote to the fixture with a remote test switch. The EM unit is accessible from below the ceiling for replacement purposes.

1. Remote Emergency Battery
2. Remote Test Switch

### REMOTE EMERGENCY BATTERY: IC NEW CONSTRUCTION HOUSING

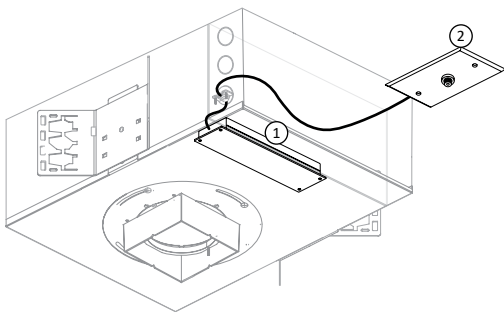


**IC** - IC Air-Tight New Construction

**ER8W** and **ER15W** is an 8W and 15W Emergency Battery that is remote to the fixture with a remote test switch. Ceiling access is required for replacement purposes

1. Remote Emergency Battery
2. Remote Test Switch

### INTEGRAL EMERGENCY BATTERY: IC NEW CONSTRUCTION HOUSING



**IC** - IC Air-Tight New Construction

**ER4W** is an 4W Emergency Battery that is integral to the fixture with an remote test switch. The EM unit is accessible from below the ceiling for replacement purposes.

\*Available in IC housing only

1. Integral Emergency Battery
2. Remote Test Switch