

## 3" LED ARCHITECTURAL SQUARE FLANGELESS DOWNLIGHT WITH WARM DIM NEW CONSTRUCTION: IC & NON IC



WARM DIM

### GENERAL INFORMATION

#### USE OF PRODUCT

The 3" Prime Downlight with Warm Dim is a small aperture fixture with a shallow housing height of 4 3/8", which is ideal for residential and commercial applications. Available options include die-cast or spun aluminum trims, various optics, and dimmable drivers. Warm Dim color temperature gradually transitions from 3000K to 1800K simulating natural sunsets.

#### LED ENGINE

LED engine available with Warm Dim standard 90+ CRI. 2-step MacAdam ellipse allows for color consistency between fixtures. The LED is mounted to an aluminum heat sink for maximum life output and thermal management. Light engine provides a quick disconnect with locking strain relief to housing.

#### FRAME CONSTRUCTION

IC and Non-IC rated housing are constructed from a 16-gauge heavy-duty, powder-coated cold-rolled steel frame and includes a junction box with 1/2" knockouts. Butterfly brackets (included) accommodate universal or C-channel hangers (order separately).

#### ADJUSTMENT

- Housing supports 359° locking rotation.
- Aperture collar compatible up to 1 1/2" ceiling thickness. Consult factory for made-to-order aperture collars exceeding 1 1/2".

#### OPTICAL LENS

Field replaceable optical lenses are available in 25°, 30°, 40°, 50°, and 70°. Easily achieve narrow spot to wide flood beam pattern.

#### DIMMING

Available in nine driver selections. (ID) Standard all-inclusive ELV (120V), Triac (120V), and 0-10V (120-277V) dimming driver called Intelligent Drive, (EEL) eldoLED 1% Dim 0-10V, (EES) eldoLED 1% Dim 0-10V (120-277V) and Triac (120V), Max 20W, (EDIO) eldoLED 0.1 Dim 0-10V, (EDID) eldoLED 0.1% Dim DALI, (EDD) eldoLED 1% Dim DALI2, (LDE1) Lutron Hi-Lume 1% Ecosystem with Soft-on, Fade-to-Black Dimming, (L3DA) Hi-Lume 1% Ecosystem/3-Wire L3D Driver, (PEQ0) Lutron Hi-Lume Premier Ecosystem 0.1% with Soft-on, Fade-to-Black Dimming.

#### BEVEL

Bevel includes standard frosted acrylic diffuser. Remove standard frosted acrylic diffuser in field for 7% lumens increase. Consult factory for made-to-order finishes. Wet location for bathrooms and showers with standard lens on trim.

#### EMERGENCY BATTERY

Optional Emergency Battery (EM) available in 4W (≈400 lm), 8W (≈800 lm), or 15W (≈1,500 lm) available for a minimum of 90 minutes. Please review page 7 for integral or remote EM and test switch options with solutions that allow for EM replacement from below the ceiling.

#### LABELS/COMPLIANCE/WARRANTY

- CSA Listed for US and Canada.
- Energy Star certified product.
- Dry/Damp/Wet location rated.
- State of California Title 24 and JA8 compliant.
- 5-year limited warranty.



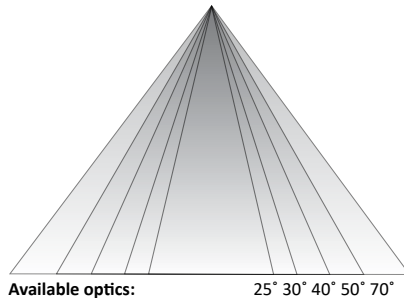
### GENERAL PERFORMANCE CHART

\*Detailed performance chart may be found on page 3

	6W	9W	12W	15W
<b>Initial Lumens</b>	661	919	1213	1470
<b>Delivered Lumens</b>	402-508	571-719	761-942	926-1122

\* Values are listed at 3000K, 90+ CRI with a white bevel & trim.  
Delivered lumens range based on beam spread.  
Performance may vary +/- 5%

### BEAM SPREAD



- Field replaceable TIR optics
- Easily achieve narrow spot to wide flood beam pattern
- Optional filters available upon request

### PRIME FAMILY OF PRODUCTS



Downlight



TechZone®



WoodWorks®



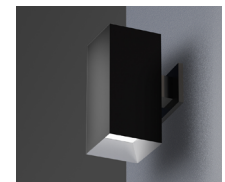
Multiple Dedicated Bevel



Multiple Open Bevel



Cylinder



Square Luminaire

## 3" LED ARCHITECTURAL SQUARE FLANGELESS DOWNLIGHT WITH WARM DIM NEW CONSTRUCTION: IC & NON IC

### ORDERING INFORMATION

Series	Wattage	Dimming	Color Temperature	Optical Lens	Filter
RPA3	6W - 6 Watt 9W - 9 Watt 12W - 12 Watt 15W - 15 Watt	ID <sup>1</sup> - Standard All-Inclusive ELV, Triac, and 0-10V Dimming Driver (Intelligent Drive) EEI <sup>2</sup> - eldoLED 1% Dim (0-10V) EEIS <sup>3</sup> - eldoLED 1% Dim 0-10V (120-277V), Triac (120V), Max 20W EDIO <sup>2</sup> - eldoLED 0.1% Dim (0-10V) EDID <sup>2</sup> - eldoLED 0.1% Dim (DALI) EDD <sup>2</sup> - eldoLED 1% Dim (DALI2) LDE1 <sup>4</sup> - Lutron Hi-Lume 1% Ecosystem with Soft-on, Fade-to-Black Dimming L3DA <sup>4</sup> - Hi-Lume 1% Ecosystem/3-Wire L3D Driver PEQ0 - Lutron Hi-Lume Premier Ecosystem 0.1% with Soft-on, Fade-to-Black Dimming	WD - Warm Dim	25 - 25° 30 - 30° 40 - 40° 50 - 50° 70 - 70°	Blank - None F - Frosted Filter H - Honey Comb S - Solite Filter L - Linear Filter

Housing Type	Collar	Module Type	Trim Style	Frame Accessories
IC - IC Air-Tight New Construction NC - Non-IC New Construction	CS10 - 1.0" Depth CS15 - 1.5" Depth MTO - Made To Order	FMH - Downlight	LPS - Flangeless Plaster LAMS - Flangeless Millwork with Adapter LDMS - Flangeless Millwork with Dedicated Collar	UH - Universal Bar Hanger C - C-Channel Bar Hanger

Options	Wireless Controls	Notes
ER4W <sup>5</sup> - Emergency Battery with Remote test switch (400 lm) ER8W <sup>5</sup> - Emergency Battery with Remote test switch (800 lm) ER15W <sup>5</sup> - Emergency Battery with Remote test switch (1,500 lm) CP <sup>7</sup> - Chicago Plenum	AWN - Athena Wireless (Lutron) CLM - Connected Lighting Module (Legrand Wattstopper)	1. Intelligent Drive is the standard driver. 2. Must specify logarithmic or linear eldoLED driver. 3. Driver programmed only in linear mode. 4. Not offered in 6W. 5. Available in IC housing only. 6. Ceiling access is required for IC housing to replace the EM unit. 7. Requires IC housing.

### TRIM ORDERING INFORMATION

#### DIE-CAST

Bevel Finish	Bevel	Finish
3" Square Flangeless Regress Small Opening	3SLO-CS	W - White
	3SLO-CS	B - Black
	3SLO-CS	H - Haze
	3SLO-CS	BZ - Bronze
	3SLO-CS	C - Clear
	3SLO-CS	MTO - Made To Order
3" Square Flangeless Regress Large Opening	3SLO-CL	W - White
	3SLO-CL	B - Black
	3SLO-CL	H - Haze
	3SLO-CL	BZ - Bronze
	3SLO-CL	C - Clear
	3SLO-CL	MTO - Made To Order

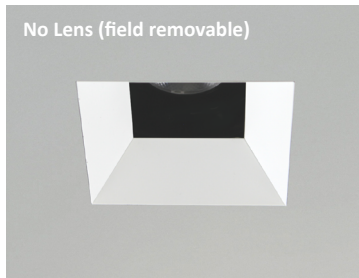
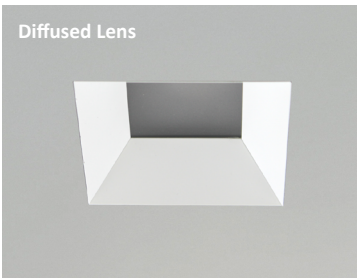
3" LED ARCHITECTURAL SQUARE FLANGELESS DOWNLIGHT WITH WARM DIM  
NEW CONSTRUCTION: IC & NON IC

PERFORMANCE CHART

Optics		25°	30°	40°	50°	70°
6W	Initial Lumens	661	661	661	661	661
	Delivered Lumens	463	508	487	486	402
9W	Initial Lumens	919	919	919	919	919
	Delivered Lumens	660	719	691	688	571
12W	Initial Lumens	1213	1213	1213	1213	1618
	Delivered Lumens	879	942	913	905	761
15W	Initial Lumens	1470	1470	1470	1470	1470
	Delivered Lumens	1072	1122	1108	1079	926

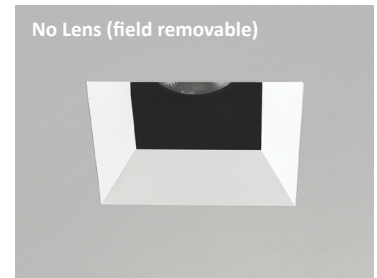
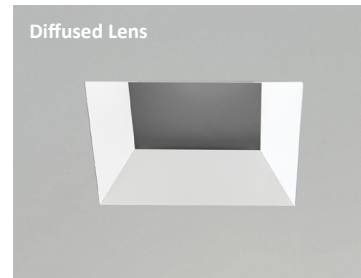
3SLO-CS REGRESS SMALL OPENING

3SLO-CL REGRESS LARGE OPENING



- IES files are based on the large opening trim with diffused lens.

- Not suitable for wet locations
- Increase in lumens by approximately 7%

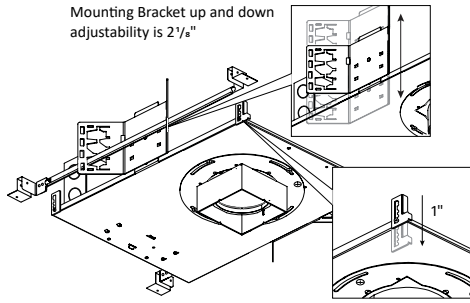


- IES files are based on the large opening trim with diffused lens.

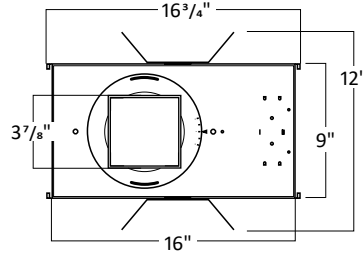
- Not suitable for wet locations
- Increase in lumens by approximately 7%

## 3" LED ARCHITECTURAL SQUARE FLANGELESS DOWNLIGHT WITH WARM DIM NEW CONSTRUCTION: IC & NON IC

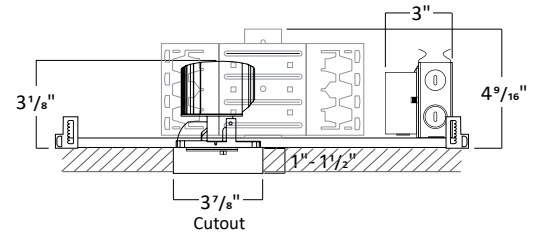
### NON-IC HOUSING DIMENSIONS 6W-15W



NC - Non-IC New Construction

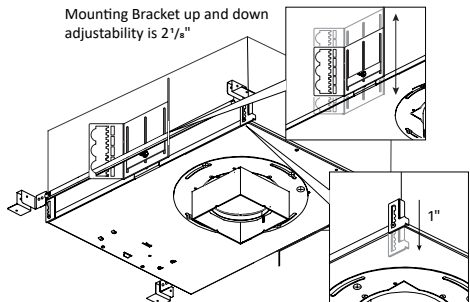


Universal bar hanger mounts on the length or width side of the fixture; Ceiling mount bracket provides 1" adjustability.

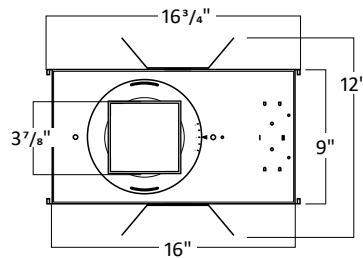


1. Must remove spacer to achieve 1 1/2" collar height
2. Consult factory for Made to Order collar height
3. Allow 1/8" tolerance

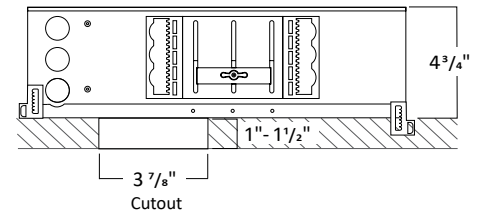
### IC HOUSING DIMENSIONS 6W-15W



IC - IC Air-Tight New Construction



Universal bar hanger mounts on the length or width side of the fixture; Ceiling mount bracket provides 1" adjustability.

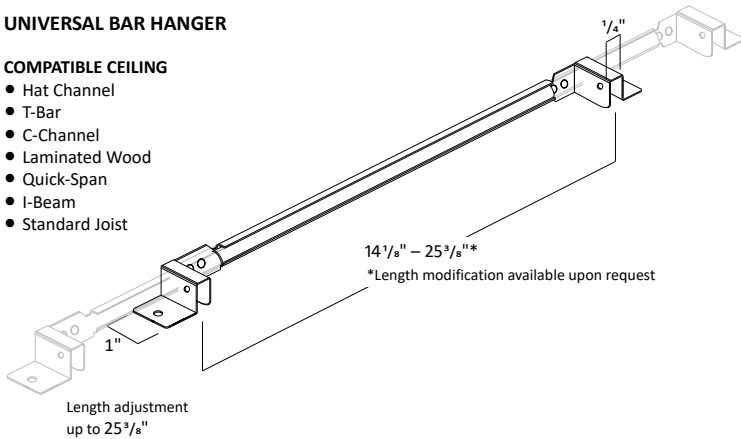


### FRAME ACCESSORIES

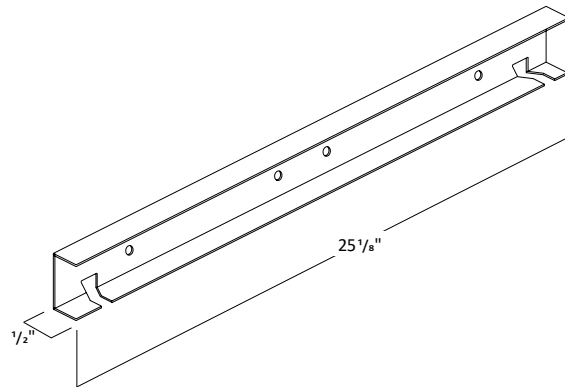
#### UNIVERSAL BAR HANGER

##### COMPATIBLE CEILING

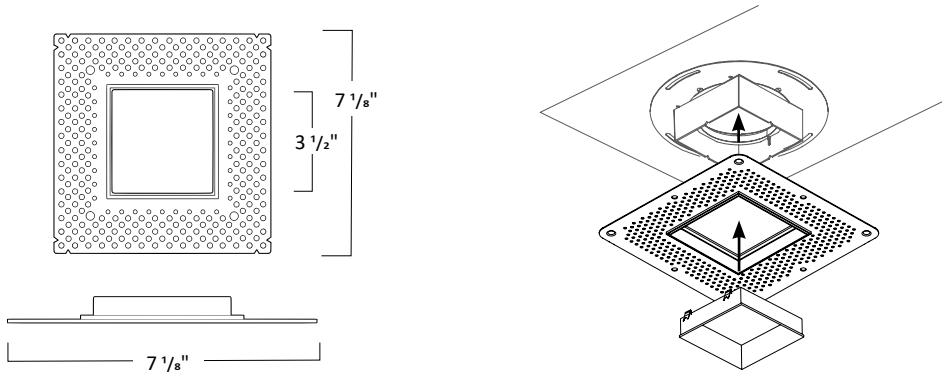
- Hat Channel
- T-Bar
- C-Channel
- Laminated Wood
- Quick-Span
- I-Beam
- Standard Joist



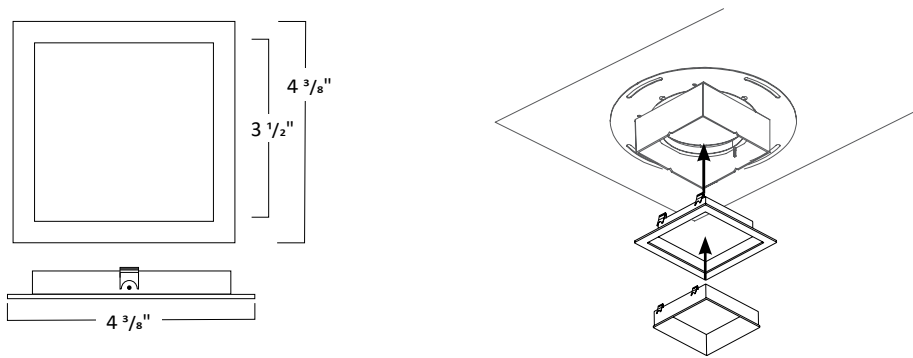
#### C-CHANNEL BAR HANGER



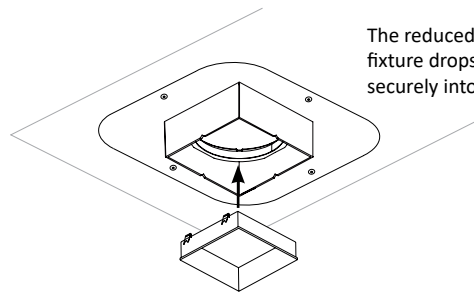
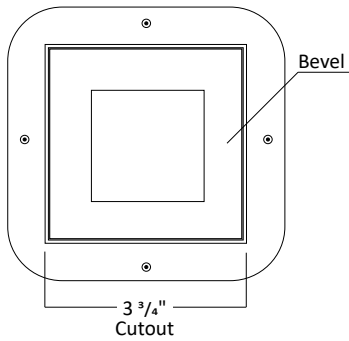
#### FLANGELESS PLASTER (LPS)



#### FLANGELESS MILLWORK WITH ADAPTER (LAMS)

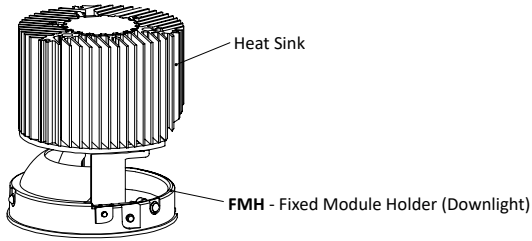


#### FLANGELESS MILLWORK WITH DEDICATED COLLAR (LDMS)

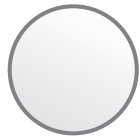


The reduced collar diameter allows for easy installation; the fixture drops into the ceiling opening and the bevel clicks securely into the collar.

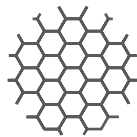
## LED MODULE



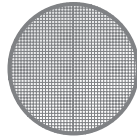
## FILTERS



Frosted Filter



Honey Comb

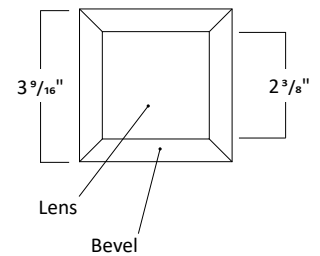
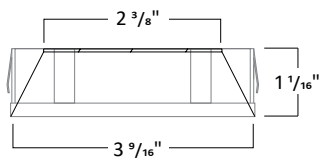
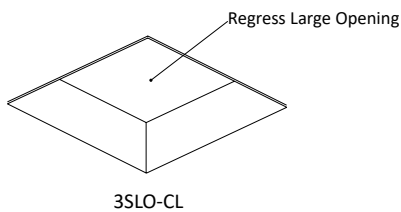
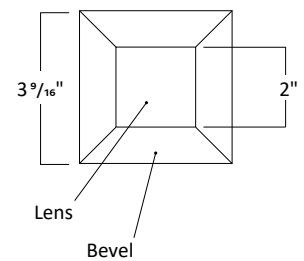
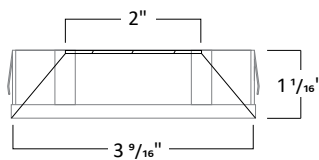
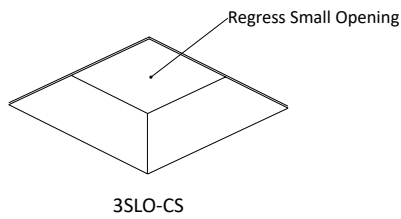


Solite Filter



Linear Filter

## TRIM DIMENSIONS



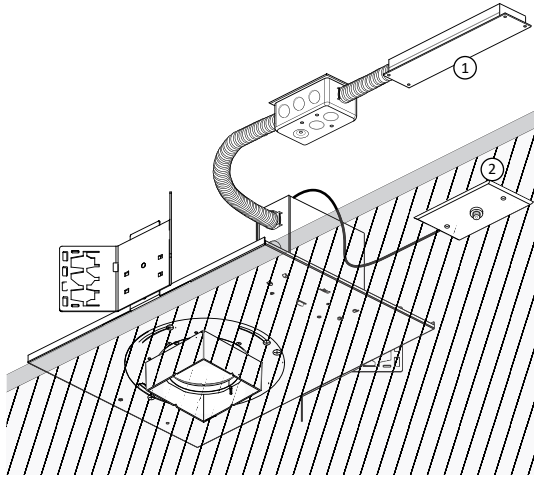
## TRIM FINISH



\*Consult Factory for Made to Order Finishes

## 3" LED ARCHITECTURAL SQUARE FLANGELESS DOWNLIGHT WITH WARM DIM NEW CONSTRUCTION: IC & NON IC

### REMOTE EMERGENCY BATTERY: NON-IC NEW CONSTRUCTION HOUSING

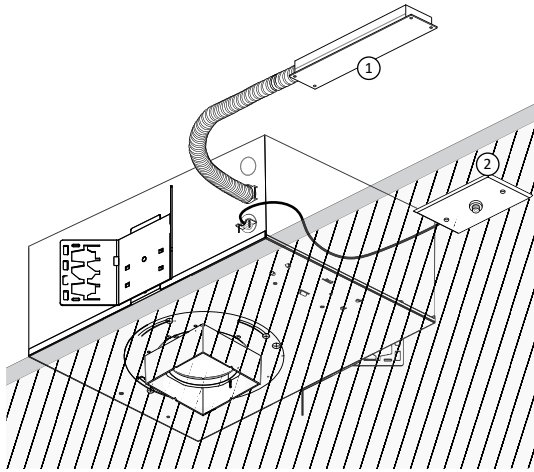


**NC - Non-IC New Construction**

**ER8W** and **ER15W** is an 8W and 15W Emergency Battery that is remote to the fixture with a remote test switch. The EM unit is accessible from below the ceiling for replacement purposes.

1. Remote Emergency Battery
2. Remote Test Switch

### REMOTE EMERGENCY BATTERY: IC NEW CONSTRUCTION HOUSING

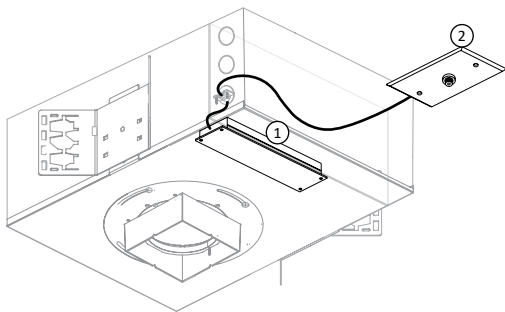


**IC - IC Air-Tight New Construction**

**ER8W** and **ER15W** is an 8W and 15W Emergency Battery that is remote to the fixture with a remote test switch. Ceiling access is required for replacement purposes

1. Remote Emergency Battery
2. Remote Test Switch

### INTEGRAL EMERGENCY BATTERY: IC NEW CONSTRUCTION HOUSING



**IC - IC Air-Tight New Construction**

**ER4W** is an 4W Emergency Battery that is integral to the fixture with an remote test switch. The EM unit is accessible from below the ceiling for replacement purposes.

\*Available in IC housing only

1. Integral Emergency Battery
2. Remote Test Switch