

## PRIME 3" LED ARCHITECTURAL SQUARE FLANGELESS WALL WASH



### USE OF PRODUCT

The 3" PRIME Downlight is a small aperture fixture with shallow height that may be used in residential and commercial applications. Die cast trims with an assortment of color temperatures, optics and dimmable drivers. May be used in plaster, wood and marble ceilings.

### LED ENGINE

LED engine available with CREE LEDs in 2700K, 3000K, 3500K, or 4000K in standard 93+ CRI. 2 Step MacAdam ellipse allows for color consistency between fixtures. LED mounted to aluminum heat sink for maximum life output and thermal management. LED engine is accessible from below ceiling.

### FRAME CONSTRUCTION

IC rated housing constructed from 16 gauge heavy duty powder coated cold rolled steel frame. Junction box with 1/2" knockouts. Trimless Mud adapter plate available for plaster ceilings. Millwork adapter available for marble or wood ceilings. Butterfly bracket included to accommodate adjustable bar hangers or C-channel (ordered separately)

### ADJUSTMENT

- Light engine locked at 25° tilt, consult factory for other tilt setting.
- Housing provides for 359° locking rotation
- Aperture collar adjusts 15± horizontally within frame for square ceiling alignment.
- Collar notch allows for easy alignment for square applications.
- Aperture collar compatible up to 1½" ceiling thickness.
- Accommodation for 2" or 3" ceiling thickness available upon request.

### OPTICAL LENS & FILTERS (Field Replaceable)

Field replaceable optical lens available in 12°, 22°, 27°, 35° and 45°. Easily achieve narrow spot to wide flood beam pattern. Accepts up to 2 filters.

### DIMMING

selections. (ID) Standard all-inclusive ELV(120V), Triac(120V), and 0-10V(120-277V) dimming driver called Intelligent Drive, 120-277V. (PEQ0) Lutron Hi-Lume Premier Ecosystem 0.1% w/soft on, fade to black dimming, 120-277V. (LDE1) Lutron Hi-Lume 1% Ecosystem with soft on, fade to black dimming, 120-277V. (L3DA) Hi-lume 1% EcoSystem/3-Wire L3D Driver (EEI) eldoLED Eco 1% Dim (0-

10V), 120-277V. (EDIO) eldoLED Solo 0.1% Dim(0-10V), 120-277V. (EDID) eldoLED Solo 0.1% Dim(DALI), 120-277V. Driver accessible from below ceiling.

### THERMAL MANAGEMENT

Ambient temperatures at fixture location should not exceed -20° to 40°C.

### TRIM

Die cast trim. Consult factory for made to order finishes.

### EMERGENCY BATTERY

Optional emergency battery available for a minimum of 90 minutes with Remote test switch in 800 delivered lumens.

### LABELS/COMPLIANCE/WARRANTY

- CSA Listed for US and Canada
- Energy Star
- Dry/Damp/Wet location rated.
- Title 24, JA8 Compliant
- 5 Year limited warranty



## ORDERING INFORMATION

### RPA

Series	Aperture Size	Lumens	Color Temperature	Voltage	Dimming	Optical Lens	Filter
RPA	3 - 3"	8L - 810 lm	27 - 2700K	UNV - 120-277	ID <sup>2</sup> - Standard all-inclusive ELV, Triac, and 0-10V dimming driver (Intelligent Drive)	12 - 12°	None - Leave blank
PRIME Series		11L - 1110 lm	30 - 3000K	120 - 20V	PEQ0 - Lutron Hi-Lume Premier Ecosystem 0.1% w/ soft on, fade to black dimming	22 - 22°	F - Frosted filter
		13L - 1340 lm	35 - 3500K	347 - 347V	LDE1 <sup>3</sup> - Lutron Hi-Lume 1% Ecosystem with soft on, fade to black dimming	27 - 27°	H - Honey comb
		17L <sup>1</sup> - 1700 lm	40 - 4000K		L3DA - Hi-lume 1% EcoSystem/3-Wire L3D Driver	35 - 35°	S - Solite filter
					EEI <sup>3</sup> - eldoLED Eco 1% Dim (0-10V)	45 - 45°	L - Linear filter
					EDIO <sup>3,4</sup> - eldoLED Solo 0.1% Dim (0-10V)		
					EDID <sup>3,4</sup> - eldoLED Solo 0.1% Dim (DALI)		

Housing Type	Aperture	Frame Accessories	Collar	Options
IC - IC Air-tight New Construction NC - Non-IC New Construction	SLWP - Square Flangeless Wall Wash Plaster SLWM - Square Flangeless Wall Wash Millwork	UH <sup>5</sup> - Universal bar hanger C - C Channel bar hanger B - Flat bar hanger	Blank - 1.0" Depth 15 - 1.5" Depth 20 - 2.0" Depth 30 - 3.0" Depth MTO - Made to order	ER8 <sup>2</sup> - Emergency battery with remote switch (800 Lumens) CP <sup>5</sup> - Chicago Plenum LAW - Lutron Athena Wireless Node (RF only version)

## TRIM ORDERING INFORMATION

Aperture Size / Shape / Trim Type / Style	Bevel Opening	Bevel	Options
3SLA - 3" Square Flangeless Accent	CL - Die cast large opening	W - White B - Black H - Haze BZ - Bronze C - Clear MTO - Made to order	WL - Wet Location

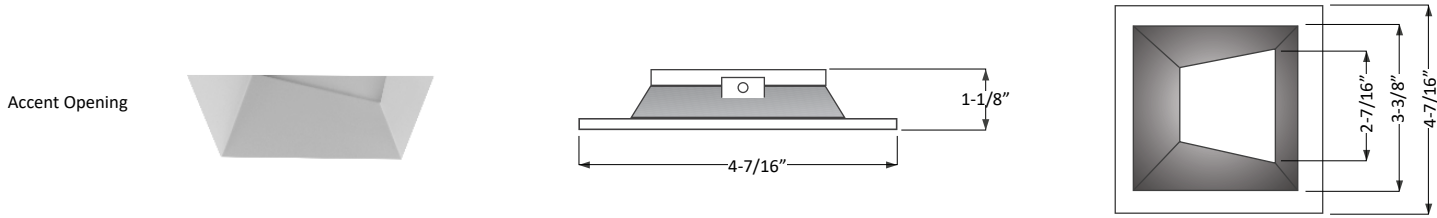
- Notes
1. Not Available in IC
  2. Intelligent Drive is the standard driver.
  3. Ceiling access required.
  4. Must specify logarithmic or inear eldoLED driver.
  5. Requires IC Housing

## LUMEN CHART

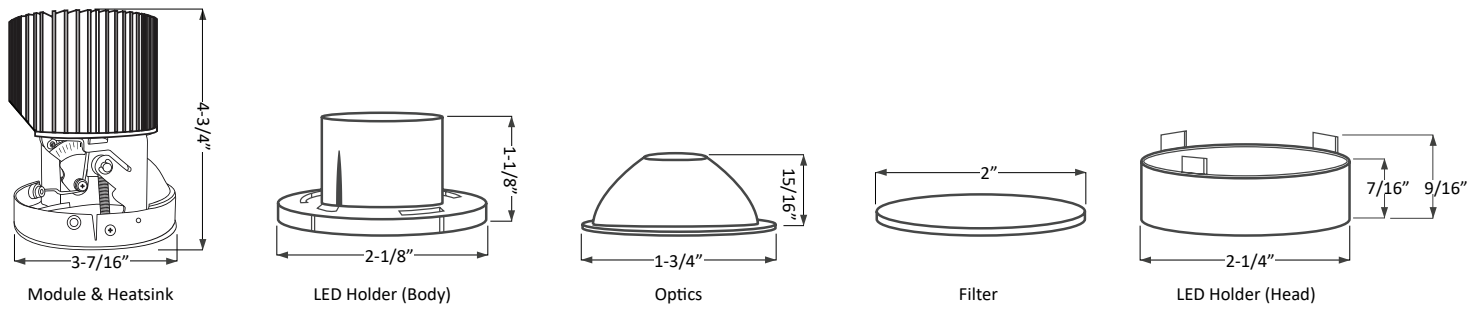
Wattage	Delivered Lumens	Voltage	CRI
10W	810 lm	120 - 277V	93+
14W	1110 lm	120 - 277V	93+
20W	1340 lm	120 - 277V	93+
30W	1700 lm	120 - 277V	93+

\*Above chart, ordering information, and IES File name reflect delivered lumens based 3000K and 30° optical lens.  
 \*\*Lumens will vary based on CCT, optical lens, and bevel finish.

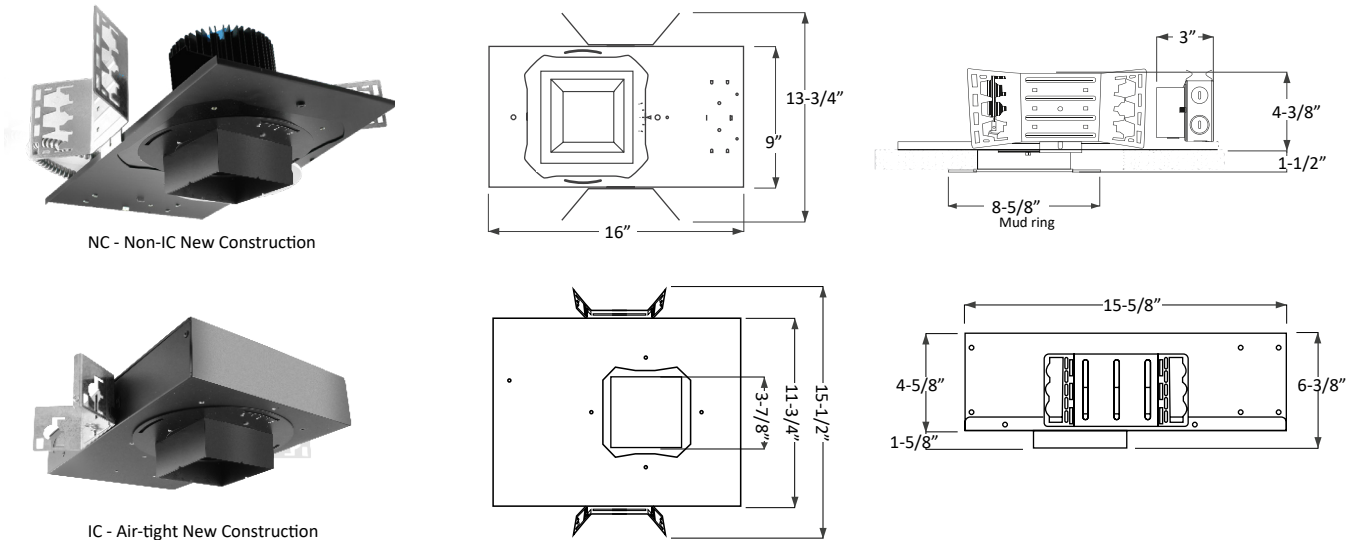
## TRIM DIMENSION



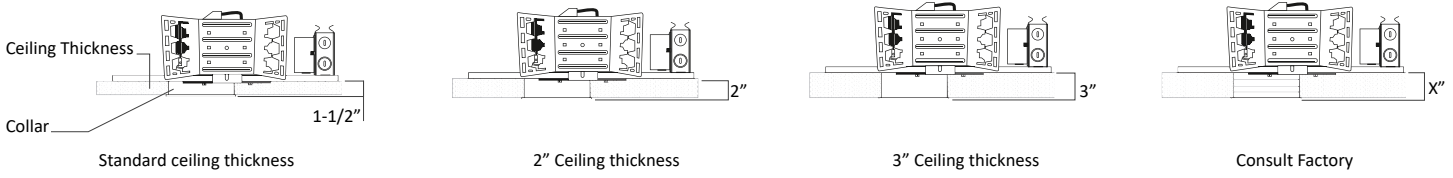
## MODULE/HEATSINK, LED HOLDER & FILTER DIMENSION



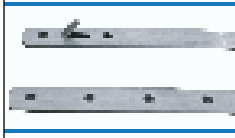
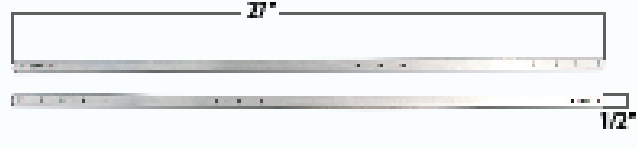
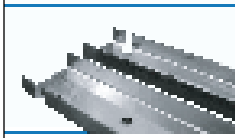
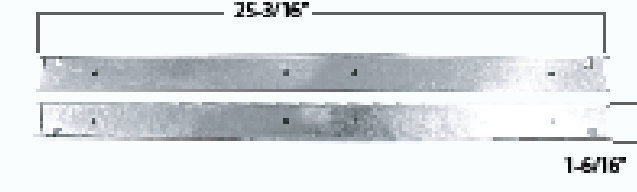

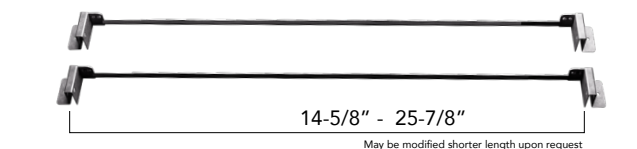
## HOUSING DIMENSION



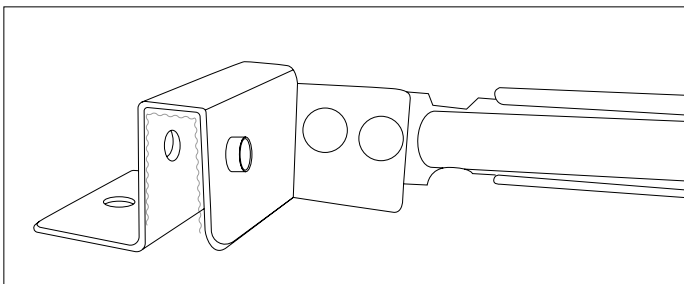
## COLLAR DEPTH PER CEILING THICKNESS



## FRAME ACCESSORIES

<p><b>B</b> Flat Bar Hanger</p> 	
<p><b>C</b> C Channel Bar Hanger</p> 	
<p><b>UH</b> Universal Bar Hanger</p> 	 <p>May be modified shorter length upon request</p>

## UNIVERSAL BAR HANGER



- Compatible Ceiling
- Hat Channel
  - T-Bar
  - C Channel
  - Laminated Wood
  - Quick-Span
  - I-Beam
  - Standard Joist