

3" ARCHITECTURAL ROUND ADJUSTABLE COMPATIBLE WITH ARMSTRONG® WOODWORKS®  
LINEAR SOLID WOOD PANELS 3¼" WIDE PLANKS



### USE OF PRODUCT

The 3" Prime series is a small aperture fixture which is compatible with Armstrong® WoodWorks® linear solid wood panels 3¼" wide planks. Available options include die-cast trims, various temperatures, optics, and dimmable drivers.

### LED ENGINE

LED engine available with CREE LEDs in 2700K, 3000K, 3500K, or 4000K in standard 90+ CRI. 2-step MacAdam ellipse allows for color consistency between fixtures. The LED is mounted to an aluminum heat sink for maximum life output and thermal management. LED engine is accessible from below the ceiling.

### FRAME CONSTRUCTION

Non IC housing is constructed from 20-gauge cold-rolled steel and includes a junction box with ½" knockouts. Custom expandable mounting bars mount directly to ceiling grid.

### OPTICAL LENS

Field replaceable optical lenses are available in 12°, 30°, 35°, 40°, 50°, and 60°. Easily achieve narrow spot to wide flood beam pattern.

### DIMMING

Available in nine driver selections. (ID) Standard all-inclusive ELV (120V), Triac (120V), and 0-10V (120-277V) dimming driver called Intelligent Drive, (EEI) eldoLED 1% Dim 0-10V, (EES) eldoLED 1% Dim 0-10V (120-277V) and Triac (120V), Max 20W, (EDIO) eldoLED 0.1 Dim 0-10V, (EDID) eldoLED 0.1% Dim DALI, (EDD) eldoLED 1% Dim DALI2, (LDE1) Lutron Hi-Lume 1% Ecosystem with Soft-on, Fade-to-Black Dimming, (L3DA) Hi-Lume 1% Ecosystem/3-Wire L3D Driver, (PEQO) Lutron Hi-Lume Premier Ecosystem 0.1% with Soft-on, Fade-to-Black Dimming.

### THERMAL MANAGEMENT

Fixture location ambient temperature should not exceed -20° to 40°C.

### BEVEL

Bevel includes standard frosted acrylic diffuser. Remove standard frosted acrylic diffuser in field for 7% lumens increase. Consult factory for made-to-order finishes. Wet location for bathrooms and showers with standard lens on trim.

### EMERGENCY BATTERY

Optional 8W (≈800 lm) or 15W (≈1,500 lm) emergency battery (EM) provides light for a minimum of 90 minutes. EM is replaceable from below the ceiling.

### LABELS/COMPLIANCE/WARRANTY

- CSA Listed for US and Canada.
- Energy Star certified product.
- Dry/Damp location rated.
- 5-year limited warranty.



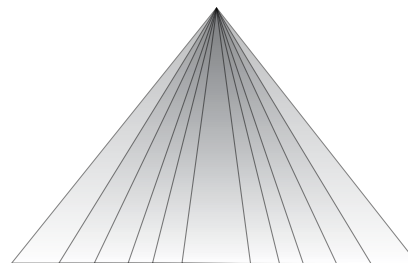
## GENERAL PERFORMANCE CHART

\*Detailed performance chart may be found on page 3

	6W	9W	12W	15W	20W	24W	28W	32W
<b>Initial Lumens</b>	657/955	890/1296	1122/1618	1267/2015	1485/2422	2799	3128	3405
<b>Delivered Lumens</b>	436-720	598-986	758-1255	947-1558	1113-1912	1284-2202	1437-2455	1566-2776

\* Values are listed at 3000K, 90+ CRI with a white bevel & trim.  
Delivered lumens range based on beam spread.  
Performance may vary +/- 5%

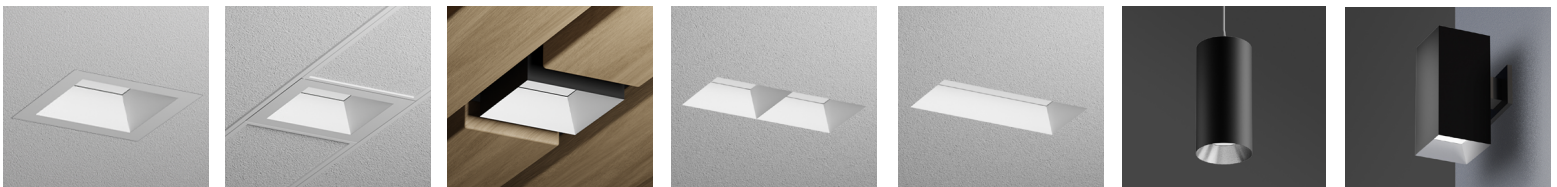
## BEAM SPREAD



Available optics: 12° 30° 35° 40° 50° 60°

- Field replaceable TIR optics
- Easily achieve narrow spot to wide flood beam pattern
- Optional filters available upon request

## PRIME FAMILY OF PRODUCTS



Downlight      TechZone®      WoodWorks®      Multiple Dedicated Bevel      Multiple Open Bevel      Cylinder      Square Luminaire

## 3" ARCHITECTURAL ROUND ADJUSTABLE COMPATIBLE WITH ARMSTRONG® WOODWORKS® LINEAR SOLID WOOD PANELS 3/4" WIDE PLANKS

### ORDERING INFORMATION

Series	Wattage	Dimming	Color Temperature	Optical Lens	Filter
RPA3	6W - 6 Watt 9W - 9 Watt 12W - 12 Watt 15W - 15 Watt 20W - 20 Watt 24W - 24 Watt 28W - 28 Watt 32W - 32 Watt	ID <sup>1</sup> - Standard All-Inclusive ELV, Triac, and 0-10V Dimming Driver (Intelligent Drive) EEI <sup>2</sup> - eldoLED 1% Dim (0-10V) EEIS <sup>3</sup> - eldoLED 1% Dim 0-10V (120-277V), Triac (120V), Max 20W EDIO <sup>2</sup> - eldoLED 0.1% Dim (0-10V) EDID <sup>2</sup> - eldoLED 0.1% Dim (DALI) EDD <sup>2</sup> - eldoLED 1% Dim (DALI2) LDE1 <sup>4</sup> - Lutron Hi-Lume 1% Ecosystem with Soft-on, Fade-to-Black Dimming L3DA <sup>4</sup> - Hi-Lume 1% Ecosystem/3-Wire L3D Driver PEQ0 - Lutron Hi-Lume Premier Ecosystem 0.1% with Soft-on, Fade-to-Black Dimming	27 - 2700K 30 - 3000K 35 - 3500K 40 - 4000K	12 <sup>5,6</sup> - 12° 30 - 30° 35 - 35° 40 - 40° 50 - 50° 60 - 60°	None - Leave Blank F - Frosted Filter H - Honey Comb S - Solite Filter L - Linear Filter

Housing Type	Collar	Woodworks Collar Finish	Module Type	Frame Accessories
WW8176 - Woodwork No. 8176	CR15 - 1.5" Depth MTO - Made To Order	B <sup>7</sup> - Black BZ - Bronze MTO - Made To Order	AMH - Adjustable	UH - Universal Bar Hanger

Options	Wireless Controls	Notes
ER8W - Emergency Battery with Remote test switch (800 lm) ER15W - Emergency Battery with Remote test switch (1,500 lm)	AWN - Athena Wireless (Lutron) CLM - Connected Lighting Module (Legrand Wattstopper)	<ol style="list-style-type: none"> <li>Intelligent Drive is the standard driver.</li> <li>Must specify logarithmic or linear eldoLED driver.</li> <li>Driver available up to 20W and programmed only in linear mode.</li> <li>Not offered in 6W.</li> <li>12° available up to 20W.</li> <li>12° spread without lens on trim.</li> <li>Black is the standard color.</li> </ol>

### TRIM ORDERING INFORMATION

#### DIE-CAST

Bevel Finish	Bevel	Finish
3" Round Flangeless Regress Large Opening	3RLO-CL	W - White
	3RLO-CL	B - Black
	3RLO-CL	H - Haze
	3RLO-CL	BZ - Bronze
	3RLO-CL	C - Clear
	3RLO-CL	MTO - Made To Order
3" Round Flangeless Accent	3RLA-CL	W - White
	3RLA-CL	B - Black
	3RLA-CL	H - Haze
	3RLA-CL	BZ - Bronze
	3RLA-CL	C - Clear
	3RLA-CL	MTO - Made To Order

3" ARCHITECTURAL ROUND ADJUSTABLE COMPATIBLE WITH ARMSTRONG® WOODWORKS®  
 LINEAR SOLID WOOD PANELS 3¼" WIDE PLANKS

## PERFORMANCE CHART

Optics		<sup>1</sup> 12°	30°	35°	40°	50°	60°
<b>6W</b>	Initial Lumens	657	955	955	955	955	955
	Delivered Lumens	555	645	720	717	658	436
	UGR		11.8	12	15.1	18.1	19.1
<b>9W</b>	Initial Lumens	890	1296	1296	1296	1296	1296
	Delivered Lumens	750	883	986	986	900	598
	UGR		13.1	13.3	16.5	19.6	20.5
<b>12W</b>	Initial Lumens	1122	1618	1618	1618	1618	1618
	Delivered Lumens	941	1120	1248	1255	1140	758
	UGR		13.6	13.9	17.1	20.1	21.2
<b>15W</b>	Initial Lumens	1267	2015	2015	2015	2015	2015
	Delivered Lumens	1007	1375	1558	1558	1493	947
	UGR		14.4	14.6	17.8	20.8	22.7
<b>20W</b>	Initial Lumens	1485	2422	2422	2422	2422	2422
	Delivered Lumens	1187	1689	1912	1887	1803	1113
	UGR		15.1	15.4	18.5	21.5	22.5
<b>24W</b>	Initial Lumens		2799	2799	2799	2799	2799
	Delivered Lumens		1947	2202	2185	2083	1284
	UGR		15.6	15.9	19	22	23
<b>28W</b>	Initial Lumens		3128	3128	3128	3128	3128
	Delivered Lumens		2173	2455	2446	2328	1437
	UGR		16	16.3	19.4	22.4	23.4
<b>32W</b>	Initial Lumens		3405	3405	3405	3405	3405
	Delivered Lumens		2362	2776	2666	2533	1566
	UGR		17.8	17	19.7	22.6	23.7

\* Values are listed at 3000K, 90+ CRI with a white bevel & trim.

### Notes

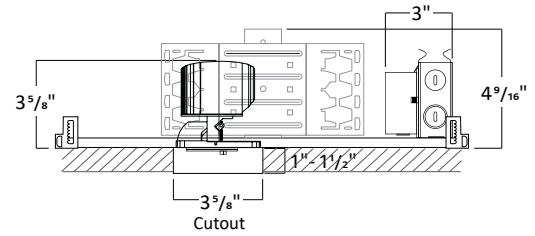
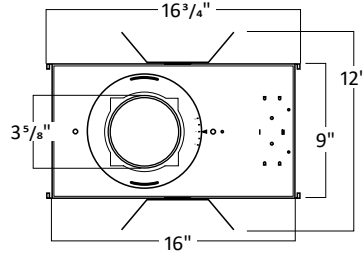
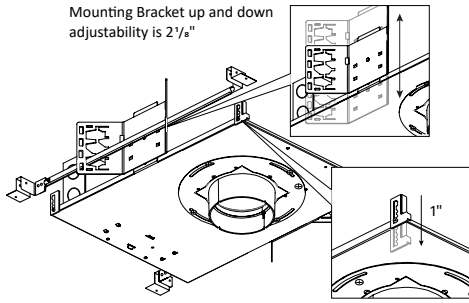
1. 12° spread without lens on trim

## COLOR TEMPERATURE MULTIPLIER FOR DELIVERED LUMENS

2700K	3000K	3500K	4000K
0.95	1.00	1.04	1.07

3" ARCHITECTURAL ROUND ADJUSTABLE COMPATIBLE WITH ARMSTRONG® WOODWORKS®  
 LINEAR SOLID WOOD PANELS 3 1/4" WIDE PLANKS

## HOUSING DIMENSIONS 6W-20W

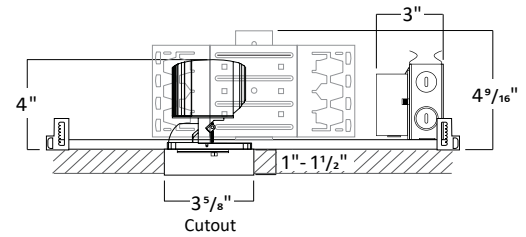
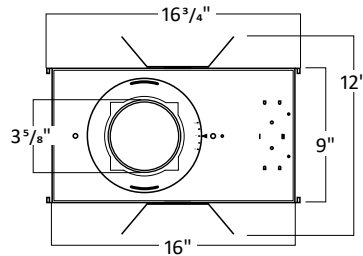
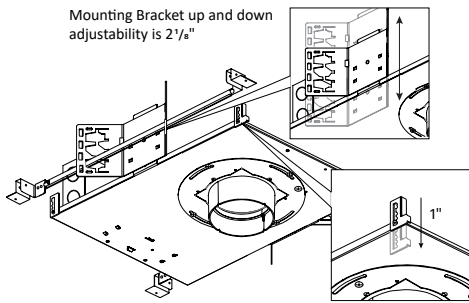


WW8176 - Woodwork No. 8176

Universal bar hanger mounts on the length or width side of the fixture;  
 Ceiling mount bracket provides 1" adjustability.

1. Must remove spacer to achieve 1 1/2" collar height
2. Consult factory for Made to Order collar height
3. Allow 1/8" tolerance

## HOUSING DIMENSIONS 24W-32W



WW8176 - Woodwork No. 8176

Universal bar hanger mounts on the length or width side of the fixture;  
 Ceiling mount bracket provides 1" adjustability.

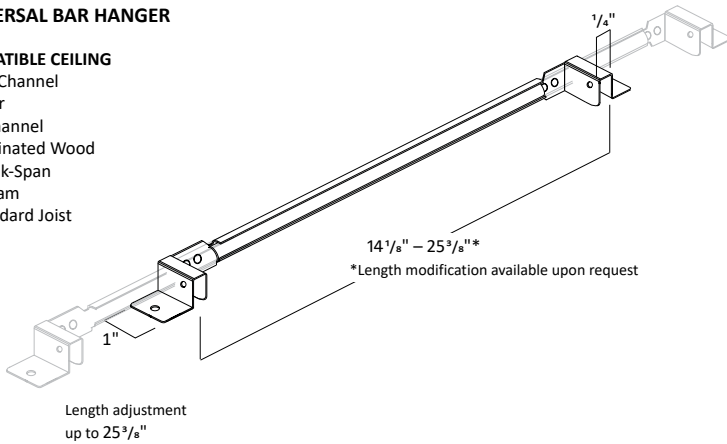
1. Must remove spacer to achieve 1 1/2" collar height
2. Consult factory for Made to Order collar height
3. Allow 1/8" tolerance

## FRAME ACCESSORIES

### UNIVERSAL BAR HANGER

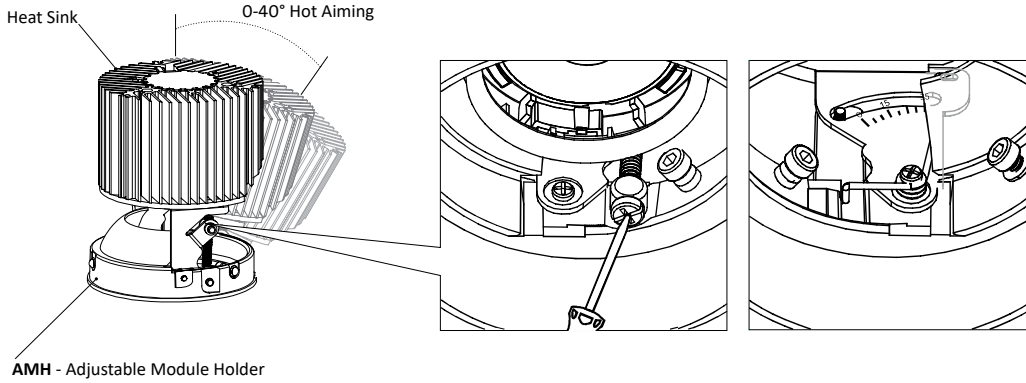
#### COMPATIBLE CEILING

- Hat Channel
- T-Bar
- C-Channel
- Laminated Wood
- Quick-Span
- I-Beam
- Standard Joist

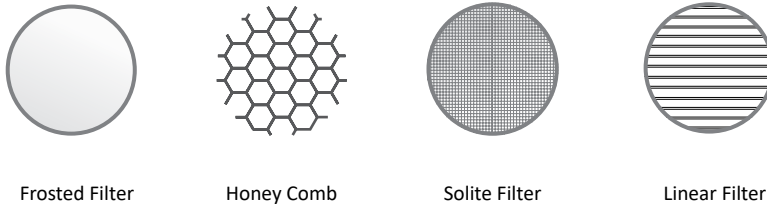


3" ARCHITECTURAL ROUND ADJUSTABLE COMPATIBLE WITH ARMSTRONG® WOODWORKS®  
 LINEAR SOLID WOOD PANELS 3/4" WIDE PLANKS

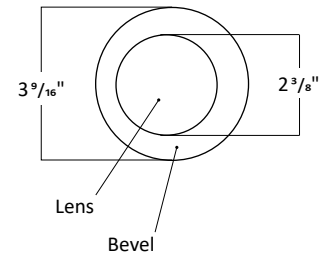
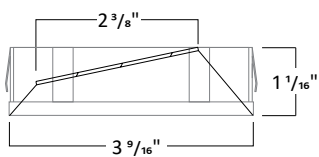
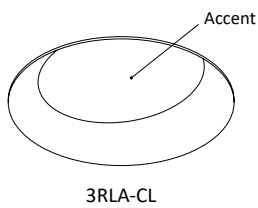
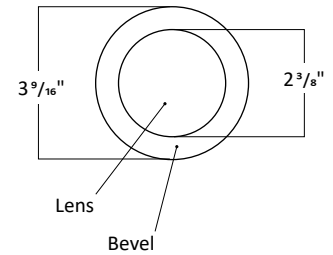
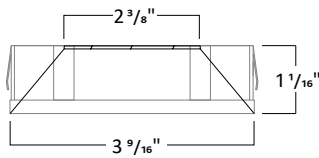
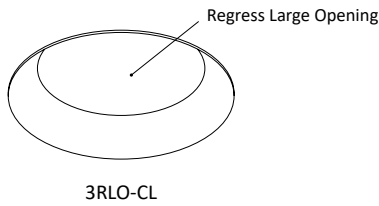
## LED MODULE



## FILTERS



## TRIM DIMENSIONS



## TRIM FINISH



\*Consult Factory for Made to Order Finishes