

3" ARCHITECTURAL SQUARE DOWNLIGHT COMPATIBLE WITH ARMSTRONG® WOODWORKS®
LINEAR SOLID WOOD PANELS 3/4" WIDE PLANKS



USE OF PRODUCT

The 3" Prime series is a small aperture fixture which is compatible with Armstrong® WoodWorks® linear solid wood panels 3/4" wide planks. Available options include die-cast trims, various temperatures, optics, and dimmable drivers.

LED ENGINE

LED engine available with CREE LEDs in 2700K, 3000K, 3500K, or 4000K in standard 90+ CRI. 2-step MacAdam ellipse allows for color consistency between fixtures. The LED is mounted to an aluminum heat sink for maximum life output and thermal management. LED engine is accessible from below the ceiling.

FRAME CONSTRUCTION

Non IC housing is constructed from 20-gauge cold-rolled steel and includes a junction box with 1/2" knockouts. Custom expandable mounting bars mount directly to ceiling grid.

OPTICAL LENS

Field replaceable optical lenses are available in 12°, 25°, 30°, 40°, 50°, and 70°. Easily achieve narrow spot to wide flood beam pattern.

DIMMING

Available in nine driver selections. (ID) Standard all-inclusive ELV (120V), Triac (120V), and 0-10V (120-277V) dimming driver called Intelligent Drive, (EEL) eldoLED 1% Dim 0-10V, (EELS) eldoLED 1% Dim 0-10V (120-277V) and Triac (120V), Max 20W, (EDIO) eldoLED 0.1 Dim 0-10V, (EDID) eldoLED 0.1% Dim DALI, (EDD) eldoLED 1% Dim DALI2, (LDE1) Lutron Hi-Lume 1% Ecosystem with Soft-on, Fade-to-Black Dimming, (L3DA) Hi-Lume 1% Ecosystem/3-Wire L3D Driver, (PEQ0) Lutron Hi-Lume Premier Ecosystem 0.1% with Soft-on, Fade-to-Black Dimming.

THERMAL MANAGEMENT

Fixture location ambient temperature should not exceed -20° to 40°C.

BEVEL

Bevel includes standard frosted acrylic diffuser. Remove standard frosted acrylic diffuser in field for 7% lumens increase. Consult factory for made-to-order finishes. Wet location for bathrooms and showers with standard lens on trim.

EMERGENCY BATTERY

Optional 8W (≈800 lm) or 15W (≈1,500 lm) emergency battery (EM) provides light for a minimum of 90 minutes. EM is replaceable from below the ceiling.

LABELS/COMPLIANCE/WARRANTY

- CSA Listed for US and Canada.
- Energy Star certified product.
- Dry/Damp location rated.
- 5-year limited warranty.

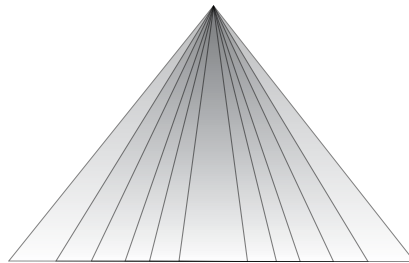
GENERAL PERFORMANCE CHART

*Detailed performance chart may be found on page 3

	6W	9W	12W	15W	20W
Initial Lumens	657/955	890/1296	1122/1618	1267/2015	1485/2422
Delivered Lumens	586-755	794-1038	999-1319	1060-1642	1244-1985

* Values are listed at 3000K, 90+ CRI with a white bevel & trim.
Delivered lumens range based on beam spread.
Performance may vary +/- 5%

BEAM SPREAD



Available optics: 12° 25° 30° 40° 50° 70°

- Field replaceable TIR optics
- Easily achieve narrow spot to wide flood beam pattern
- Optional filters available upon request

PRIME FAMILY OF PRODUCTS



Downlight TechZone® WoodWorks® Multiple Dedicated Bevel Multiple Open Bevel Cylinder Square Luminaire

3" ARCHITECTURAL SQUARE DOWNLIGHT COMPATIBLE WITH ARMSTRONG® WOODWORKS® LINEAR SOLID WOOD PANELS 3¼" WIDE PLANKS

ORDERING INFORMATION

Series	Wattage	Dimming	Color Temperature	Optical Lens	Filter
RPA3	6W - 6 Watt 9W - 9 Watt 12W - 12 Watt 15W - 15 Watt 20W - 20 Watt 24W - 24 Watt 28W - 28 Watt 32W - 32 Watt	ID¹ - Standard All-Inclusive ELV, Triac, and 0-10V Dimming Driver (Intelligent Drive) EEI² - eldoLED 1% Dim (0-10V) EEIS³ - eldoLED 1% Dim 0-10V (120-277V), Triac (120V), Max 20W EDIO² - eldoLED 0.1% Dim (0-10V) EDID² - eldoLED 0.1% Dim (DALI) EDD² - eldoLED 1% Dim (DALI2) LDE1⁴ - Lutron Hi-Lume 1% Ecosystem with Soft-on, Fade-to-Black Dimming L3DA⁴ - Hi-Lume 1% Ecosystem/3-Wire L3D Driver PEQ0 - Lutron Hi-Lume Premier Ecosystem 0.1% with Soft-on, Fade-to-Black Dimming	27 - 2700K 30 - 3000K 35 - 3500K 40 - 4000K	12⁵ - 12° 25 - 25° 30 - 30° 40 - 40° 50 - 50° 70 - 70°	None - Leave Blank F - Frosted Filter H - Honey Comb S - Solite Filter L - Linear Filter

Housing Type	Collar	Woodworks Collar Finish	Module Type	Frame Accessories
WW8176 - Woodwork No. 8176	CS15 - 1.5" Depth MTO - Made To Order	B⁶ - Black BZ - Bronze MTO - Made To Order	FMH - Downlight	UH - Universal Bar Hanger

Options	Wireless Controls	Notes
ER8W - Emergency Battery with Remote test switch (800 lm) ER15W - Emergency Battery with Remote test switch (1,500 lm)	AWN - Athena Wireless (Lutron) CLM - Connected Lighting Module (Legrand Wattstopper)	<ol style="list-style-type: none"> Intelligent Drive is the standard driver. Must specify logarithmic or linear eldoLED driver. Driver available up to 20W and programmed only in linear mode. Not offered in 6W. 12° spread without lens on trim. Black is the standard color.

TRIM ORDERING INFORMATION

DIE-CAST

Bevel Finish	Bevel	Finish
3" Square Flangeless Regress Small Opening	3SLO-CS	W - White
	3SLO-CS	B - Black
	3SLO-CS	H - Haze
	3SLO-CS	BZ - Bronze
	3SLO-CS	C - Clear
	3SLO-CS	MTO - Made To Order
3" Square Flangeless Regress Large Opening	3SLO-CL	W - White
	3SLO-CL	B - Black
	3SLO-CL	H - Haze
	3SLO-CL	BZ - Bronze
	3SLO-CL	C - Clear
	3SLO-CL	MTO - Made To Order

3" ARCHITECTURAL SQUARE DOWNLIGHT COMPATIBLE WITH ARMSTRONG® WOODWORKS®
 LINEAR SOLID WOOD PANELS 3¼" WIDE PLANKS

PERFORMANCE CHART

Optics		¹ 12°	25°	30°	40°	50°	70°
6W	Initial Lumens	657	955	955	955	955	955
	Delivered Lumens	586	718	755	754	726	602
	UGR		13.5	13	16.4	19.1	21
9W	Initial Lumens	890	1296	1296	1296	1296	1296
	Delivered Lumens	794	978	1034	1038	984	825
	UGR		14.6	14.3	17.7	19.6	22.3
12W	Initial Lumens	1122	1618	1618	1618	1618	1618
	Delivered Lumens	999	1225	1314	1319	1238	1051
	UGR		15.2	15.1	18.3	21.2	22.9
15W	Initial Lumens	1267	2015	2015	2015	2015	2015
	Delivered Lumens	1060	1470	1628	1642	1565	1227
	UGR		15.9	15.8	19	21.9	23.6
20W	Initial Lumens	1485	2422	2422	2422	2422	2422
	Delivered Lumens	1244	1778	1967	1985	1895	1482
	UGR		16.6	16.4	19.7	22.5	24.3
24W	Initial Lumens		2799	2799	2799	2799	2799
	Delivered Lumens		2107	2273	2296	2193	1713
	UGR		17.4	17	20.2	23.1	24.8
28W	Initial Lumens		3128	3128	3128	3128	3128
	Delivered Lumens		2343	2542	2569	2458	1914
	UGR		17.7	17.3	20.6	23.6	25.2
32W	Initial Lumens		3405	3405	3405	3405	3405
	Delivered Lumens		2544	2768	2785	2679	2080
	UGR		18	17.7	20.9	23.9	25.4

* Values are listed at 3000K, 90+ CRI with a white bevel & trim.

Notes

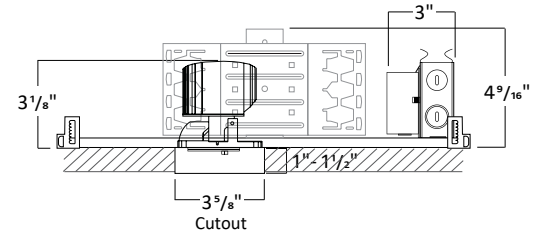
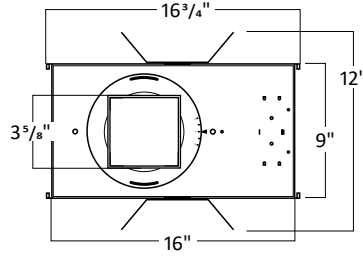
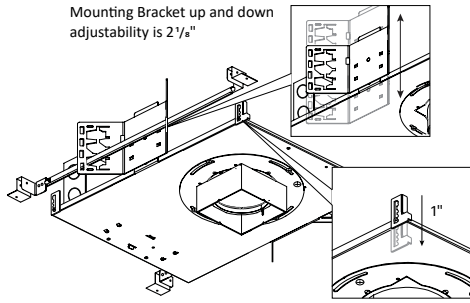
1. 12° spread without lens on trim

COLOR TEMPERATURE MULTIPLIER FOR DELIVERED LUMENS

2700K	3000K	3500K	4000K
0.95	1.00	1.04	1.07

3" ARCHITECTURAL SQUARE DOWNLIGHT COMPATIBLE WITH ARMSTRONG® WOODWORKS®
 LINEAR SOLID WOOD PANELS 3/4" WIDE PLANKS

HOUSING DIMENSIONS 6W-20W

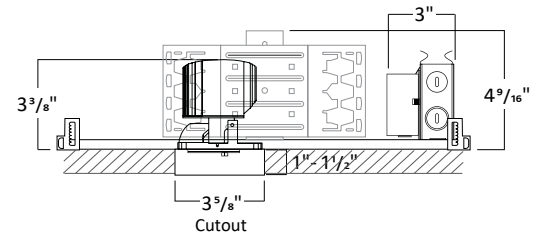
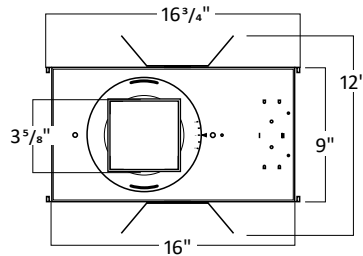
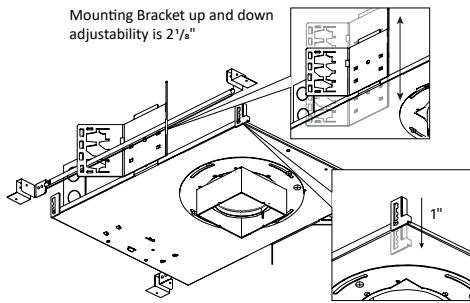


WW8176 - Woodwork No. 8176

Universal bar hanger mounts on the length or width side of the fixture;
 Ceiling mount bracket provides 1" adjustability.

1. Must remove spacer to achieve 1 1/2" collar height
2. Consult factory for Made to Order collar height
3. Allow 1/8" tolerance

HOUSING DIMENSIONS 24W-32W



WW8176 - Woodwork No. 8176

Universal bar hanger mounts on the length or width side of the fixture;
 Ceiling mount bracket provides 1" adjustability.

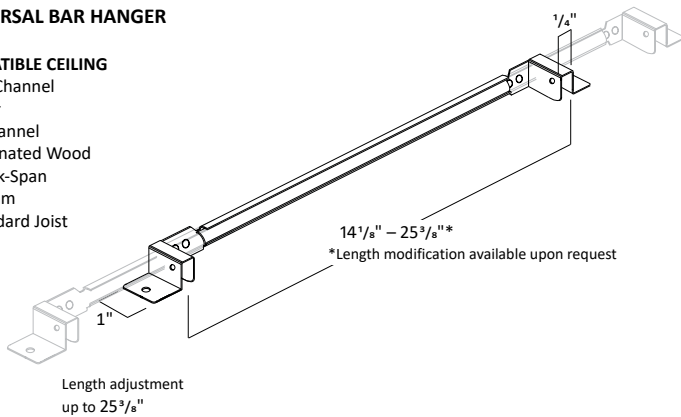
1. Must remove spacer to achieve 1 1/2" collar height
2. Consult factory for Made to Order collar height
3. Allow 1/8" tolerance

FRAME ACCESSORIES

UNIVERSAL BAR HANGER

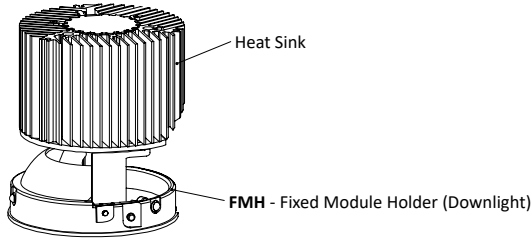
COMPATIBLE CEILING

- Hat Channel
- T-Bar
- C-Channel
- Laminated Wood
- Quick-Span
- I-Beam
- Standard Joist

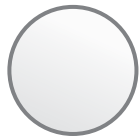


3" ARCHITECTURAL SQUARE DOWNLIGHT COMPATIBLE WITH ARMSTRONG® WOODWORKS®
 LINEAR SOLID WOOD PANELS 3/4" WIDE PLANKS

LED MODULE



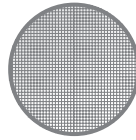
FILTERS



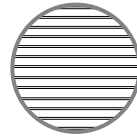
Frosted Filter



Honey Comb

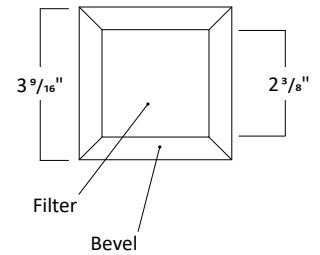
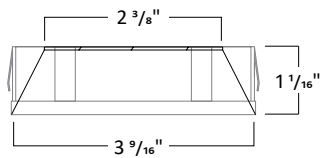
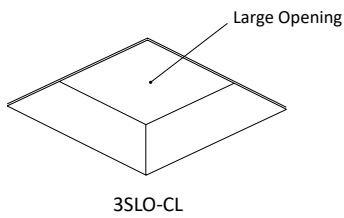
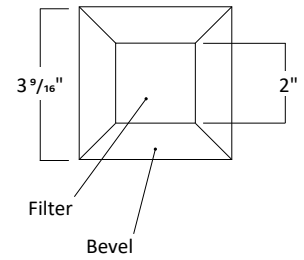
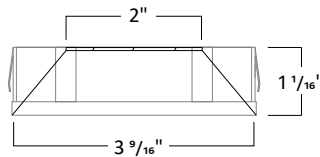
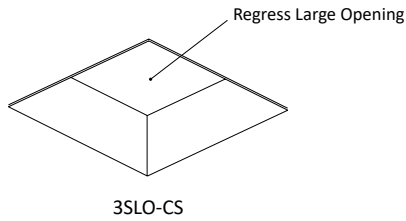


Solite Filter



Linear Filter

TRIM DIMENSIONS



TRIM FINISH



*Consult Factory for Made to Order Finishes