

## 4" LED ARCHITECTURAL ROUND FLANGE DOWNLIGHT NEW CONSTRUCTION: IC & NON IC



### GENERAL INFORMATION

#### USE OF PRODUCT

The 4" Prime Downlight is the ideal product for architectural energy efficient lighting in commercial and residential applications. Available options include die-cast or anodized aluminum trims, various temperatures, optics, lumen outputs, and dimmable drivers.

#### LED ENGINE

LED engine available in 2700K, 3000K, 3500K, or 4000K in standard 90+ CRI. 2-step MacAdam ellipse allows for color consistency between fixtures. The LED is mounted to an aluminum heat sink for maximum life output and thermal management. Light engine provides a quick disconnect with locking strain relief to housing.

#### OPTICAL LENS

Field replaceable optical lenses are available in 15°, 24°, 30°, 35°, 40°, 50° and 70°. Easily achieve narrow spot to wide flood beam pattern.

#### FRAME CONSTRUCTION

IC and Non-IC rated housing are constructed from a 16-gauge heavy-duty, powder-coated cold-rolled steel frame and includes a junction box with ½" knockouts. Butterfly brackets (included) accommodate universal or C-channel hangers (order separately).

#### ADJUSTMENT

- Housing supports 359° locking rotation.
- Aperture collar compatible up to 1½" ceiling thickness.
- Accommodation for 2" or 3" ceiling thickness available upon request.

#### DIMMING

Available in nine driver selections. (ID) Standard all-inclusive ELV (120V), Triac (120V), and 0–10V (120–277V) dimming driver called Intelligent Drive, (EEI) eldoLED 1% Dim 0-10V, (EES) eldoLED 1% Dim 0-10V (120-277V) and Triac (120V), Max 20W, (EDIO) eldoLED 0.1 Dim 0-10V, (EDID) eldoLED 0.1% Dim DALI, (EDD) eldoLED 1% Dim DALI2, (LDE1) Lutron Hi-Lume 1% Ecosystem with Soft-on, Fade-to-Black Dimming, (L3DA) Hi-Lume 1% Ecosystem/3-Wire L3D Driver, (PEQO) Lutron Hi-Lume Premier Ecosystem 0.1% with Soft-on, Fade-to-Black Dimming.

#### TRIM

Flange trims available in die-cast or anodized aluminum. Trim includes standard frosted acrylic diffuser. Remove standard frosted acrylic diffuser in field for 7% lumens increase. Consult factory for made-to-order finishes. Wet location for bathrooms and showers with standard lens on trim.

#### EMERGENCY BATTERY

Optional Emergency Battery (EM) available in 4W (≈400 lm), 8W (≈800 lm), or 15W (≈1,500 lm) available for a minimum of 90 minutes. Please review page 6 for integral or remote EM and test switch options with solutions that allow for EM replacement from below the ceiling.

#### LABELS/COMPLIANCE/WARRANTY

- CSA listed for US and Canada
- Energy Star certified product
- Dry/Damp/Wet location rated
- State of California Title 24 and JA8 compliant
- Chicago Plenum with IC Housing
- 5-year limited warranty



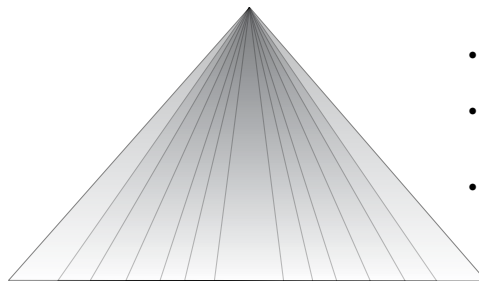
### GENERAL PERFORMANCE CHART

\*Detailed performance chart may be found on page 3

	6W	9W	12W	15W	20W	24W	28W	32W	33W	35W	40W	48W	56W
<b>Initial Lumens</b>	955	1296	1618	2015	2422	2799	3128	3405	4090	4626	4967	5786	6472
<b>Delivered Lumens</b>	650-829	891-1135	1129-1436	1404-1744	1706-2122	1986-2470	2245-2868	2474-3096	2877-3383	3177-3736	3462-4072	4017-4723	4510-5310

\* Values are listed at 3000K, 90+ CRI with a white bevel & trim. Delivered lumens range based on beam spread. Performance may vary +/- 5%

### BEAM SPREAD



Available optics: 15° 24° 30° 35° 40° 50° 70°

- Field replaceable TIR optics
- Easily achieve narrow spot to wide flood beam pattern
- Optional filters available upon request

### PRIME FAMILY OF PRODUCTS



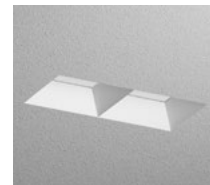
Downlight



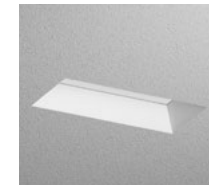
TechZone®



WoodWorks®



Multiple Dedicated Bevel



Multiple Open Bevel



Cylinder



Square Luminaire

## 4" LED ARCHITECTURAL ROUND FLANGE DOWNLIGHT NEW CONSTRUCTION: IC & NON IC

### ORDERING INFORMATION

Series	Wattage	Dimming	Color Temperature	Optical Lens	Filter
RPA4	<b>6W</b> - 6 Watt <b>9W</b> - 9 Watt <b>12W</b> - 12 Watt <b>15W</b> - 15 Watt <b>20W</b> - 20 Watt <b>24W</b> - 24 Watt <b>28W</b> - 28 Watt <b>32W</b> - 32 Watt <b>33W<sup>1</sup></b> - 33 Watt <b>35W<sup>1</sup></b> - 35 Watt <b>40W<sup>1</sup></b> - 40 Watt <b>48W<sup>1</sup></b> - 48 Watt <b>56W<sup>1</sup></b> - 56 Watt	<b>ID<sup>2</sup></b> - Standard All-Inclusive ELV, Triac, and 0–10V Dimming Driver (Intelligent Drive) <b>EI<sup>3</sup></b> - eldoLED 1% Dim (0–10V) <b>EEI<sup>4</sup></b> - eldoLED 1% Dim 0-10V (120-277V), Triac (120V), Max 20W <b>EDIO<sup>5</sup></b> - eldoLED 0.1% Dim (0-10V) <b>EDID<sup>3</sup></b> - eldoLED 0.1% Dim (DALI) <b>EDD<sup>3</sup></b> - eldoLED 1% Dim (DALI2) <b>LDE1<sup>5</sup></b> - Lutron Hi-Lume 1% Ecosystem with Soft-on, Fade-to-Black Dimming <b>L3DA<sup>5</sup></b> - Hi-Lume 1% Ecosystem/3-Wire L3D Driver <b>PEQO</b> - Lutron Hi-Lume Premier Ecosystem 0.1% with Soft-on, Fade-to-Black Dimming	<b>27K</b> - 2700K <b>30K</b> - 3000K <b>35K</b> - 3500K <b>40K</b> - 4000K	<b>15<sup>6,7</sup></b> - 15° <b>24<sup>7</sup></b> - 24° <b>30</b> - 30° <b>35</b> - 35° <b>40</b> - 40° <b>50</b> - 50° <b>70</b> - 70°	<b>Blank</b> - None <b>F</b> - Frosted Filter <b>H</b> - Honey Comb <b>S</b> - Solite Filter <b>L</b> - Linear Filter

Housing Type	Collar	Module Type	Frame Accessories	Options
<b>IC<sup>8</sup></b> - IC Air-Tight New Construction <b>NC</b> - Non-IC New Construction	<b>CR15<sup>9</sup></b> - 1.5" Depth <b>CR20</b> - 2.0" Depth <b>CR25</b> - 2.5" Depth <b>MTO</b> - Made To Order	<b>FMH</b> - Downlight	<b>UH</b> - Universal Bar Hanger <b>C</b> - C-Channel Bar Hanger	<b>ER4W<sup>10</sup></b> - Emergency Battery with Remote Switch (400 lm) <b>EI4W<sup>10</sup></b> - Emergency Battery with Integral Switch (400 lm) <b>ER8W<sup>11</sup></b> - Emergency Battery with Remote Switch (800 lm) <b>EI8W<sup>11</sup></b> - Emergency Battery with Integral Switch (800 lm) <b>ER15W<sup>11</sup></b> - Emergency Battery with Remote Switch (1,500 lm) <b>EI15W<sup>11</sup></b> - Emergency Battery with Integral Switch (1,500 lm) <b>347V</b> - 347V Step down transformer <b>CP<sup>12</sup></b> - Chicago Plenum

### TRIM ORDERING INFORMATION

Bevel / Flange Finish (one piece)	Trim Type	Bevel / Flange finish
4" Round Flange Open		<b>4RFOW-W</b> - White bevel / white flange <b>4RFOH-W</b> - Haze bevel / white flange <b>4RFOB-B</b> - Black bevel / black flange <b>4RFOH-H</b> - Haze bevel / haze flange <b>4RFOS-S</b> - Specular clear bevel / specular clear flange <b>4RFOS-W</b> - Specular clear bevel / white flange <b>4RFOWE-WE</b> - Wheat bevel / wheat flange <b>4RFOMTO</b> - Made to order

#### Notes

- Not available in IC housing.
- Intelligent Drive is the standard driver.
- Must specify logarithmic or linear eldoLED driver.
- Driver available up to 20W and programmed only in linear mode.
- Not offered in 6W.
- 15° available in 6W-32W only.
- 15° and 24° spread without lens on trim.
- Not available in 33W-56W.
- Standard Collar Height.
- Available in IC housing only.
- Ceiling access is required for IC housing to replace the EM unit.
- Requires IC housing.

## 4" LED ARCHITECTURAL ROUND FLANGE DOWNLIGHT NEW CONSTRUCTION: IC & NON IC

### PERFORMANCE CHART

Optics		<sup>1,2</sup> 15°	<sup>2</sup> 24°	30°	35°	40°	50°	70°
6W	Initial Lumens	955	955	955	955	955	955	955
	Delivered Lumens	803	829	748	771	785	713	650
	UGR			11.6	11.1	13.1	17.6	21.7
9W	Initial Lumens	1296	1296	1296	1296	1296	1296	1296
	Delivered Lumens	1097	1135	1022	1055	1073	971	891
	UGR			13.1	12.4	14.5	19	23.1
12W	Initial Lumens	1618	1618	1618	1618	1618	1618	1618
	Delivered Lumens	1387	1436	1285	1332	1347	1217	1129
	UGR			13.8	13	15	19.6	23.7
15W	Initial Lumens	2015	2015	2015	2015	2015	2015	2015
	Delivered Lumens	1632	1744	1591	1644	1659	1481	1404
	UGR			14.5	13.8	15.7	20.3	24.4
20W	Initial Lumens	2422	2422	2422	2422	2422	2422	2422
	Delivered Lumens	1976	2122	1933	2002	2017	1803	1706
	UGR			15.2	14.5	16.4	21	25.1
24W	Initial Lumens	2799	2799	2799	2799	2799	2799	2799
	Delivered Lumens	2300	2470	2243	2333	2346	2101	1986
	UGR			15.7	15	17	21.5	25.6
28W	Initial Lumens	3128	3128	3128	3128	3128	3128	3128
	Delivered Lumens	2820	2868	2519	2633	2646	2371	2245
	UGR			16.1	15.4	17.4	21.9	26
32W	Initial Lumens	3405	3405	3405	3405	3405	3405	3405
	Delivered Lumens	2921	3096	2777	2902	2915	2614	2474
	UGR			16.5	15.8	17.7	22.3	26.3
33W	Initial Lumens		4090		4090	4090	4090	4090
	Delivered Lumens		3518		3278	3383	3345	2877
	UGR				19.4	18.3	19.6	25.8
35W	Initial Lumens		4626		4626	4626	4626	4626
	Delivered Lumens		3879		3618	3736	3710	3177
	UGR				19.8	18.7	19.9	26.2
40W	Initial Lumens		4967		4967	4967	4967	4967
	Delivered Lumens		4218		3941	4072	4058	3462
	UGR				20	19	20.2	26.4
48W	Initial Lumens		5765		5765	5765	5765	5765
	Delivered Lumens		4887		4570	4723	4718	4017
	UGR				20.6	19.5	20.7	27
56W	Initial Lumens		6472		6472	6472	6472	6472
	Delivered Lumens		5484		5122	5304	5310	4510
	UGR				21	19.8	21.1	27.4

\* Values are listed at 3000K, 90+ CRI with a white bevel & trim.

#### Notes

1. Available in 6W-32W only
2. 15° and 24° spread without lens on trim

### COLOR TEMPERATURE MULTIPLIER FOR DELIVERED LUMENS

2700K	3000K	3500K	4000K
0.95	1.00	1.04	1.07

### DIFFUSED LENS



- Listed IES files are with diffused lens

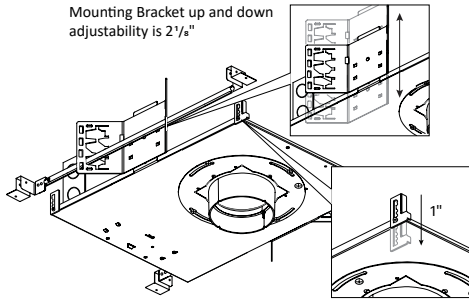
### OPTIONAL FIELD REMOVABLE LENS



- Not suitable for wet locations
- Increase in lumens by approximately 7%

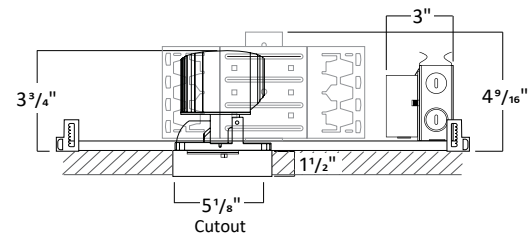
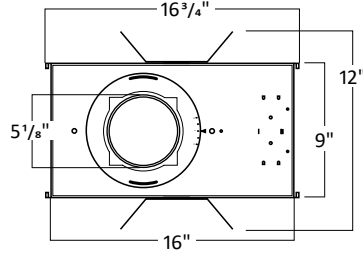
## 4" LED ARCHITECTURAL ROUND FLANGE DOWNLIGHT NEW CONSTRUCTION: IC & NON IC

### NON-IC HOUSING DIMENSIONS 6W-20W



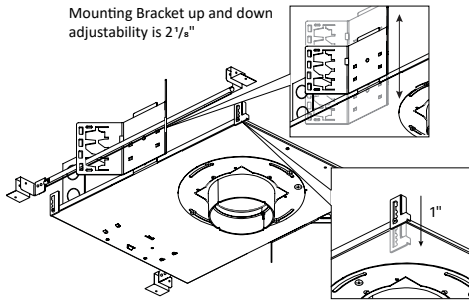
NC - Non-IC New Construction

Universal bar hanger mounts on the length or width side of the fixture; Ceiling mount bracket provides 1" adjustability.



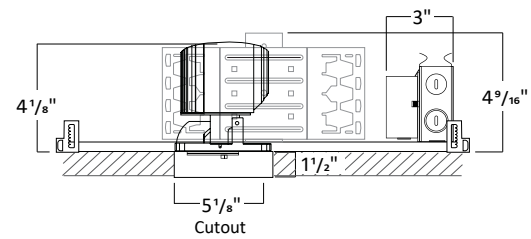
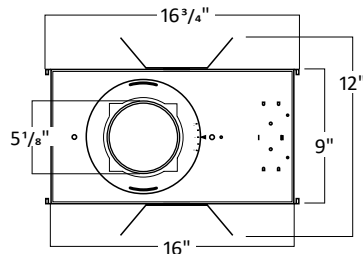
1. 1 1/2" is the standard collar height. Consult factory for Made to Order collar heights
2. Allow 1/8" tolerance

### NON-IC HOUSING DIMENSIONS 24W-56W



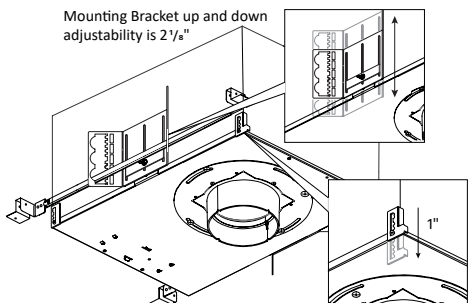
NC - Non-IC New Construction

Universal bar hanger mounts on the length or width side of the fixture; Ceiling mount bracket provides 1" adjustability.



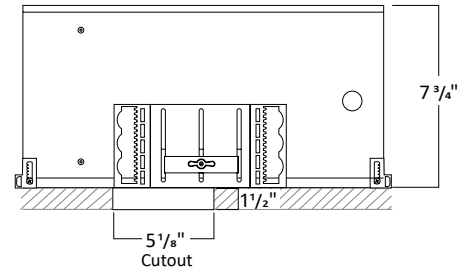
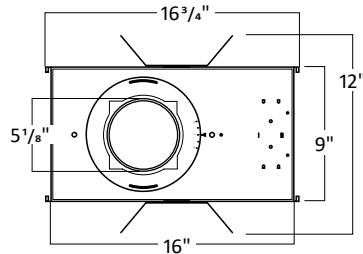
1. 1 1/2" is the standard collar height. Consult factory for Made to Order collar heights
2. Allow 1/8" tolerance

### IC HOUSING DIMENSIONS 6W-32W



IC - IC Air-Tight New Construction

Universal bar hanger mounts on the length or width side of the fixture; Ceiling mount bracket provides 1" adjustability.



1. 1 1/2" is the standard collar height. Consult factory for Made to Order collar heights
2. Allow 1/8" tolerance

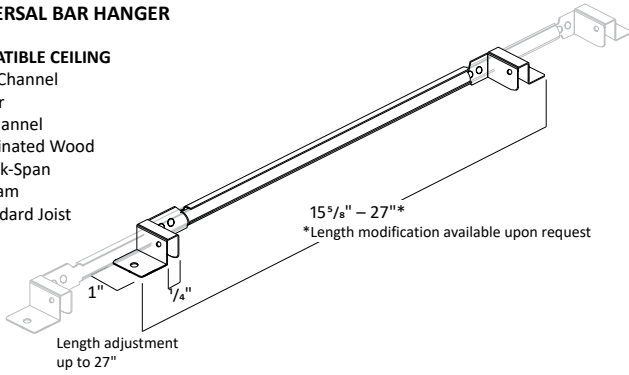
## 4" LED ARCHITECTURAL ROUND FLANGE DOWNLIGHT NEW CONSTRUCTION: IC & NON IC

### FRAME ACCESSORIES

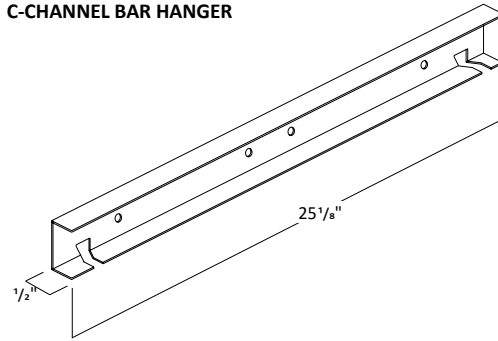
#### UNIVERSAL BAR HANGER

##### COMPATIBLE CEILING

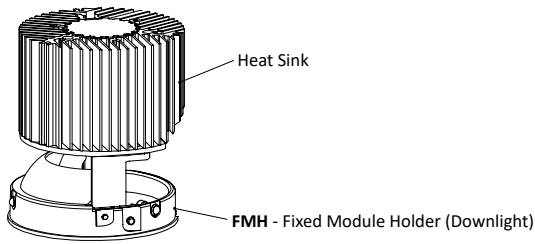
- Hat Channel
- T-Bar
- C-Channel
- Laminated Wood
- Quick-Span
- I-Beam
- Standard Joist



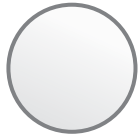
#### C-CHANNEL BAR HANGER



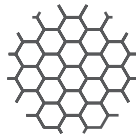
### MODULE DIMENSIONS



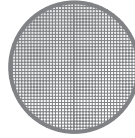
### FILTERS



Frosted Filter



Honey Comb

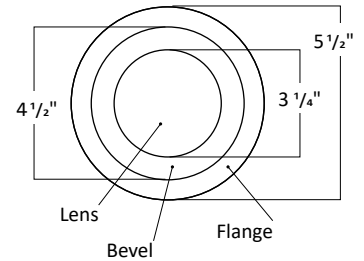
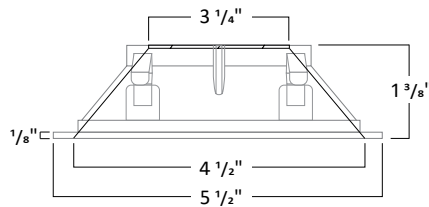
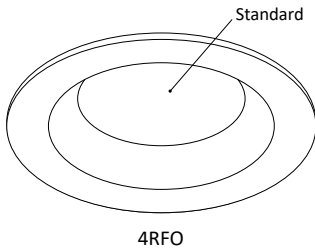


Solite Filter



Linear Filter

### TRIM DIMENSIONS



#### TRIM FINISH



White



Black



Haze



Specular Clear

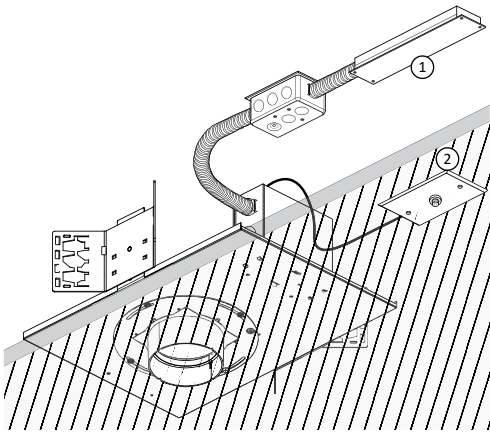


Wheat

\*Consult Factory for Made to Order Finishes

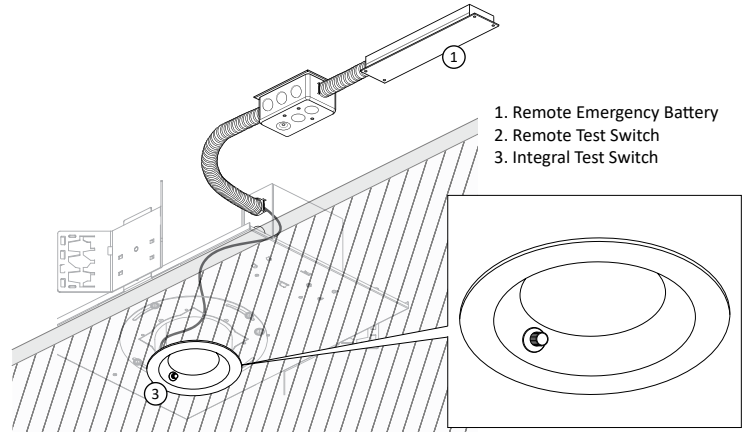
## 4" LED ARCHITECTURAL ROUND FLANGE DOWNLIGHT NEW CONSTRUCTION: IC & NON IC

### REMOTE EMERGENCY BATTERY: NON-IC NEW CONSTRUCTION HOUSING



NC - Non-IC New Construction

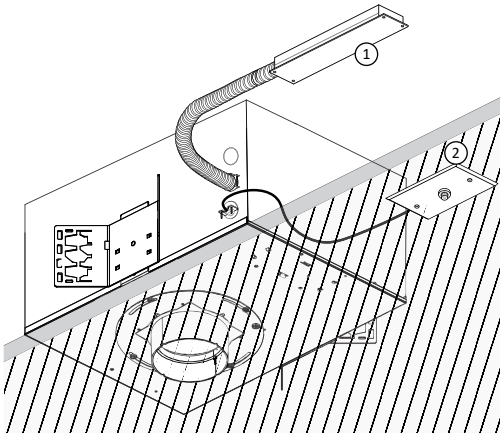
**ER8W** and **ER15W** is an 8W and 15W Emergency Battery that is remote to the fixture with a remote test switch. The EM unit is accessible from below the ceiling for replacement purposes.



NC - Non-IC New Construction

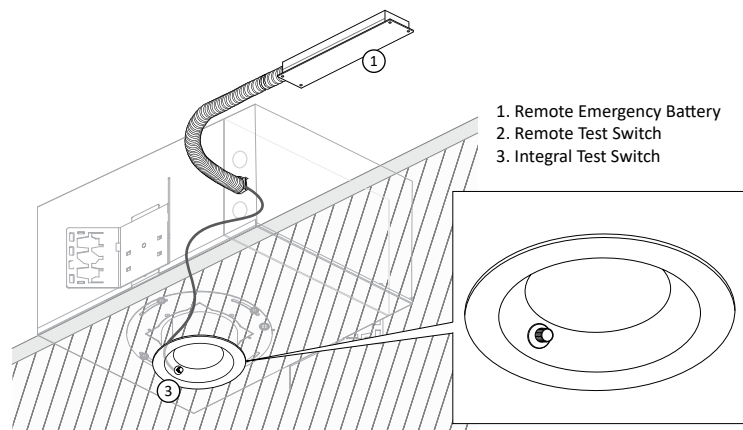
**EI8W** and **EI15W** is an 8W and 15W Emergency Battery that is remote to the fixture with an integral test switch. The EM unit is accessible from below the ceiling for replacement purposes.

### REMOTE EMERGENCY BATTERY: IC NEW CONSTRUCTION HOUSING



IC - IC Air-Tight New Construction

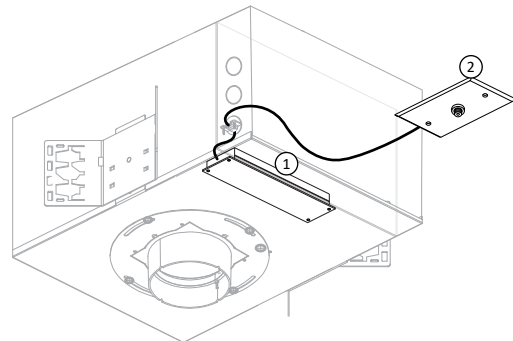
**ER8W** and **ER15W** is an 8W and 15W Emergency Battery that is remote to the fixture with a remote test switch. Ceiling access is required for replacement purposes



IC - IC Air-Tight New Construction

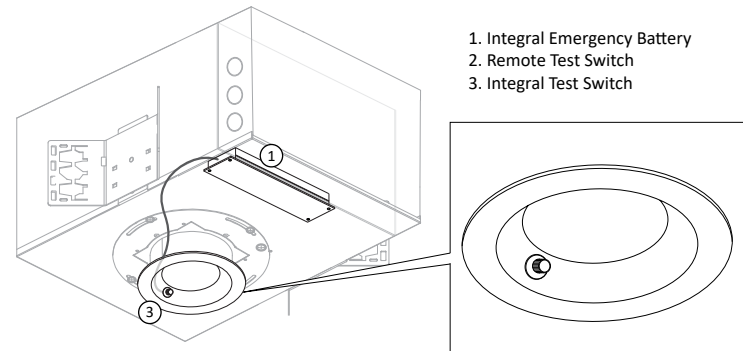
**EI8W** and **EI15W** is an 8W and 15W Emergency Battery that is remote to the fixture with an integral test switch. Ceiling access is required for replacement purposes.

### INTEGRAL EMERGENCY BATTERY: IC NEW CONSTRUCTION HOUSING



IC - IC Air-Tight New Construction

**ER4W** is an 4W Emergency Battery that is integral to the fixture with an remote test switch. The EM unit is accessible from below the ceiling for replacement purposes.



IC - IC Air-Tight New Construction

**EI4W** is an 4W Emergency Battery that is integral to the fixture with an integral test switch. The EM unit is accessible from below the ceiling for replacement purposes. \*Available in IC housing only