

## 4" LED ARCHITECTURAL ROUND FLANGELESS ADJUSTABLE NEW CONSTRUCTION: IC & NON IC



### GENERAL INFORMATION

#### USE OF PRODUCT

The 4" Prime Adjustable is the ideal product for architectural energy efficient lighting in commercial and residential applications. Available options include die-cast or anodized aluminum trims, various temperatures, optics, lumen outputs, and dimmable drivers.

#### LED ENGINE

LED engine available in 2700K, 3000K, 3500K, or 4000K in standard 90+ CRI. 2-step MacAdam ellipse allows for color consistency between fixtures. The LED is mounted to an aluminum heat sink for maximum life output and thermal management. Light engine provides a quick disconnect with locking strain relief to housing.

#### OPTICAL LENS

Field replaceable optical lenses are available in 15°, 24°, 30°, 35°, 40°, 50° and 60°. Easily achieve narrow spot to wide flood beam pattern.

#### FRAME CONSTRUCTION

IC and Non-IC rated housing are constructed from a 16-gauge heavy-duty, powder-coated cold-rolled steel frame and includes a junction box with ½" knockouts. Butterfly brackets (included) accommodate universal or C-channel hangers (order separately).

#### ADJUSTMENT

- Light engine allows for hot aiming from 0-40°.
- Housing supports 359° locking rotation.
- Aperture collar compatible up to 1½" ceiling thickness.
- Accommodation for 2" or 3" ceiling thickness available upon request.

#### DIMMING

Available in nine driver selections. (ID) Standard all-inclusive ELV (120V), Triac (120V), and 0-10V (120-277V) dimming driver called Intelligent Drive, (EEI) eldoLED 1% Dim 0-10V, (EES) eldoLED 1% Dim 0-10V (120-277V) and Triac (120V), Max 20W, (EDIO) eldoLED 0.1 Dim 0-10V, (EDID) eldoLED 0.1% Dim DALI, (EDD) eldoLED 1% Dim DALI2, (LDE1) Lutron Hi-Lume 1% Ecosystem with Soft-on, Fade-to-Black Dimming, (L3DA) Hi-Lume 1% Ecosystem/3-Wire L3D Driver, (PEQO) Lutron Hi-Lume Premier Ecosystem 0.1% with Soft-on, Fade-to-Black Dimming.

#### BEVEL

Bevel includes standard frosted acrylic diffuser. Remove standard frosted acrylic diffuser in field for 7% lumens increase. Consult factory for made-to-order finishes. Wet location for bathrooms and showers with standard lens on trim.

#### EMERGENCY BATTERY

Optional Emergency Battery (EM) available in 4W (≈400 lm), 8W (≈800 lm), or 15W (≈1,500 lm) available for a minimum of 90 minutes. Please review page 7 for integral or remote EM and test switch options with solutions that allow for EM replacement from below the ceiling.

#### LABELS/COMPLIANCE/WARRANTY

- CSA listed for US and Canada
- Energy Star certified product
- Dry/Damp/Wet location rated
- State of California Title 24 and JA8 compliant
- Chicago Plenum with IC Housing
- 5-year limited warranty



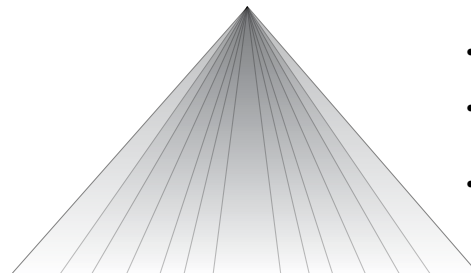
### GENERAL PERFORMANCE CHART

\*Detailed performance chart may be found on page 3

	6W	9W	12W	15W	20W	24W	28W	32W	33W	35W	40W	48W	56W
<b>Initial Lumens</b>	955	1296	1618	2015	2422	2799	3128	3405	4090	4626	4967	5786	6472
<b>Delivered Lumens</b>	424-829	581-1135	736-1436	907-1744	1101-2122	1279-2470	1442-2868	1589-3096	1815-3518	2097-3879	2274-4218	2636-4887	2953-5484

\* Values are listed at 3000K, 90+ CRI with a white bevel & trim.  
Delivered lumens range based on beam spread.  
Performance may vary +/- 5%

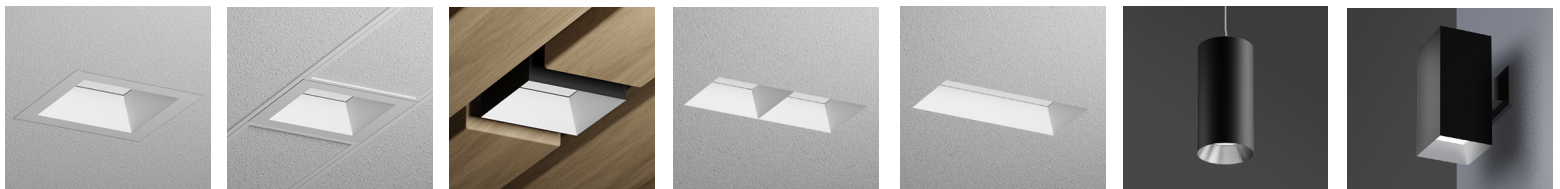
### BEAM SPREAD



Available optics: 15° 24° 30° 35° 40° 50° 60°

- Field replaceable TIR optics
- Easily achieve narrow spot to wide flood beam pattern
- Optional filters available upon request

### PRIME FAMILY OF PRODUCTS



Downlight

TechZone®

WoodWorks®

Multiple Dedicated Bevel

Multiple Open Bevel

Cylinder

Square Luminaire

## 4" LED ARCHITECTURAL ROUND FLANGELESS ADJUSTABLE NEW CONSTRUCTION: IC & NON IC

### ORDERING INFORMATION

Series	Wattage	Dimming	Color Temperature	Optical Lens	Filter
RPA4	<b>6W</b> - 6 Watt <b>9W</b> - 9 Watt <b>12W</b> - 12 Watt <b>15W</b> - 15 Watt <b>20W</b> - 20 Watt <b>24W</b> - 24 Watt <b>28W</b> - 28 Watt <b>32W</b> - 32 Watt <b>33W<sup>2</sup></b> - 33 Watt <b>35W<sup>1</sup></b> - 35 Watt <b>40W<sup>1</sup></b> - 40 Watt <b>48W<sup>1</sup></b> - 48 Watt <b>56W<sup>1</sup></b> - 56 Watt	<b>ID<sup>2</sup></b> - Standard All-Inclusive ELV, Triac, and 0-10V Dimming Driver (Intelligent Drive) <b>EI<sup>3</sup></b> - eldoLED 1% Dim (0-10V) <b>EI<sup>3</sup></b> - eldoLED 1% Dim (0-10V (120-277V), Triac (120V), Max 20W <b>EDIO<sup>3</sup></b> - eldoLED 0.1% Dim (0-10V) <b>EDID<sup>3</sup></b> - eldoLED 0.1% Dim (DALI) <b>EDD<sup>3</sup></b> - eldoLED 1% Dim (DALI2) <b>LDE1<sup>5</sup></b> - Lutron Hi-Lume 1% Ecosystem with Soft-on, Fade-to-Black Dimming <b>L3DA<sup>5</sup></b> - Hi-Lume 1% Ecosystem/3-Wire L3D Driver <b>PEQO</b> - Lutron Hi-Lume Premier Ecosystem 0.1% with Soft-on, Fade-to-Black Dimming	<b>27K</b> - 2700K <b>30K</b> - 3000K <b>35K</b> - 3500K <b>40K</b> - 4000K	<b>15<sup>6,7</sup></b> - 15° <b>24<sup>7</sup></b> - 24° <b>30</b> - 30° <b>35</b> - 35° <b>40</b> - 40° <b>50</b> - 50° <b>60</b> - 60°	<b>Blank</b> - None <b>F</b> - Frosted Filter <b>H</b> - Honey Comb <b>S</b> - Solite Filter <b>L</b> - Linear Filter

Housing Type	Collar	Module Type	Trim Style	Frame Accessories
<b>IC<sup>8</sup></b> - IC Air-Tight New Construction <b>NC</b> - Non-IC New Construction	<b>CR15<sup>9</sup></b> - 1.5" Depth <b>CR20</b> - 2.0" Depth <b>CR25</b> - 2.5" Depth <b>MTO</b> - Made To Order	<b>AMH</b> - Adjustable	<b>LPR</b> - Flangeless Plaster <b>LAMR</b> - Flangeless Millwork with Adapter <b>LDMR</b> - Flangeless Millwork with Dedicated Collar	<b>UH</b> - Universal Bar Hanger <b>C</b> - C-Channel Bar Hanger

Wireless Controls	Options	Notes
<b>AWN</b> - Athena Wireless (Lutron) <b>CLM</b> - Connected Lighting Module (Legrand Wattstopper)	<b>ER4W<sup>10</sup></b> - Emergency Battery with Remote Switch (400 lm) <b>EI4W<sup>10</sup></b> - Emergency Battery with Integral Switch (400 lm) <b>ER8W<sup>11</sup></b> - Emergency Battery with Remote Switch (800 lm) <b>EI8W<sup>11</sup></b> - Emergency Battery with Integral Switch (800 lm) <b>ER15W<sup>11</sup></b> - Emergency Battery with Remote Switch (1,500 lm) <b>EI15W<sup>11</sup></b> - Emergency Battery with Integral Switch (1,500 lm) <b>347V</b> - 347V Step down transformer <b>CP<sup>12</sup></b> - Chicago Plenum	<ol style="list-style-type: none"> <li>Not available in IC housing.</li> <li>Intelligent Drive is the standard driver.</li> <li>Must specify logarithmic or linear eldoLED driver.</li> <li>Driver available up to 20W and programmed only in linear mode.</li> <li>Not offered in 6W.</li> <li>15° available in 6W-32W only.</li> <li>15° and 24° spread without lens on trim.</li> <li>Not available in 33W-56W.</li> <li>Standard Collar Height.</li> <li>Available in IC housing only.</li> <li>Ceiling access is required for IC housing to replace the EM unit.</li> <li>Requires IC housing.</li> </ol>

### TRIM ORDERING INFORMATION

Bevel Finish	Bevel
4" Round Flangeless Regress Large Opening	<b>4RLOW</b> - White bevel <b>4RLOH</b> - Haze bevel <b>4RLOWE</b> - Wheat bevel <b>4RLOS</b> - Specular clear bevel <b>4RLOB</b> - Black bevel <b>4RLOMTO</b> - Made to order
4" Round Flangeless Accent	<b>4RLAW</b> - White bevel <b>4RLAH</b> - Haze bevel <b>4RLAWE</b> - Wheat bevel <b>4RLAS</b> - Specular clear bevel <b>4RLAB</b> - Black bevel <b>4RLAMTO</b> - Made to order

## 4" LED ARCHITECTURAL ROUND FLANGELESS ADJUSTABLE NEW CONSTRUCTION: IC & NON IC

### PERFORMANCE CHART

Optics		<sup>1,2</sup> 15°	<sup>2</sup> 24°	30°	35°	40°	50°	60°
6W	Initial Lumens	955	955	955	955	955	955	955
	Delivered Lumens	803	829	672	708	744	617	424
	UGR			9.8	10.3	12.7	16.4	18.2
9W	Initial Lumens	1296	1296	1296	1296	1296	1296	1296
	Delivered Lumens	1097	1135	920	968	1017	854	581
	UGR			11.2	11.8	14.1	17.8	19.7
12W	Initial Lumens	1618	1618	1618	1618	1618	1618	1618
	Delivered Lumens	1387	1436	1161	1226	1277	1070	736
	UGR			11.8	12.5	14.7	18.4	20.4
15W	Initial Lumens	2015	2015	2015	2015	2015	2015	2015
	Delivered Lumens	1632	1744	1485	1561	1564	1308	907
	UGR			12.5	13.2	15.4	19.1	21.1
20W	Initial Lumens	2422	2422	2422	2422	2422	2422	2422
	Delivered Lumens	1976	2122	1805	1897	1904	1592	1101
	UGR			13.3	13.8	16.1	19.8	21.8
24W	Initial Lumens	2799	2799	2799	2799	2799	2799	2799
	Delivered Lumens	2300	2470	2099	2207	2217	1856	1279
	UGR			13.8	14.4	16.7	20.3	22.3
28W	Initial Lumens	3128	3128	3128	3128	3128	3128	3128
	Delivered Lumens	2820	2868	2365	2487	2500	2095	1442
	UGR			14.3	14.8	17.1	20.8	22.7
32W	Initial Lumens	3405	3405	3405	3405	3405	3405	3405
	Delivered Lumens	2921	3096	2603	2738	2753	2307	1589
	UGR			14.6	15.1	17.4	21.1	23
33W	Initial Lumens		4090		4090	4090	4090	4090
	Delivered Lumens		3518		2928	3031	3041	1815
	UGR				17.4	17.5	19.3	22.9
35W	Initial Lumens		4626		4626	4626	4626	4626
	Delivered Lumens		3879		3208	3352	3381	2097
	UGR				17.6	17.8	19.7	23.5
40W	Initial Lumens		4967		4967	4967	4967	4967
	Delivered Lumens		4218		3500	3657	3705	2274
	UGR				17.9	18.1	20	24
48W	Initial Lumens		5765		5765	5765	5765	5765
	Delivered Lumens		4887		4062	4245	4312	2636
	UGR				18.4	18.7	20.5	24.3
56W	Initial Lumens		6472		6472	6472	6472	6472
	Delivered Lumens		5484		4563	4772	4857	2953
	UGR				18.8	19.1	20.9	24.7

\* Values are listed at 3000K, 90+ CRI with a white bevel & trim.

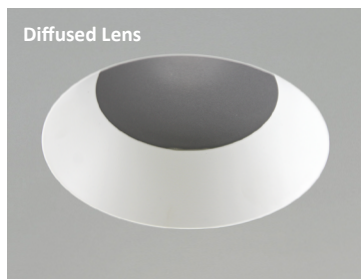
#### Notes

1. Available in 6W-32W only
2. 15° and 24° spread without lens on trim

### COLOR TEMPERATURE MULTIPLIER FOR DELIVERED LUMENS

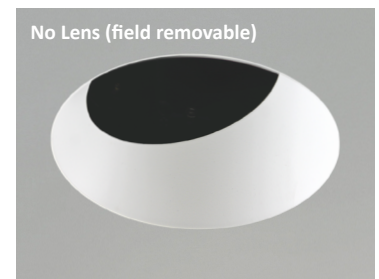
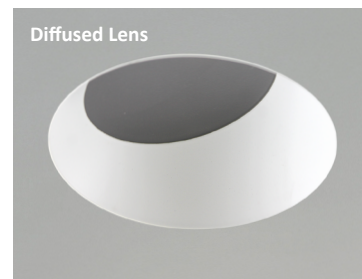
2700K	3000K	3500K	4000K
0.95	1.00	1.04	1.07

### 4RLO REGRESS LARGE OPENING



- IES files are based on the large opening trim with diffused lens.
- Not suitable for wet locations
- Increase in lumens by approximately 7%

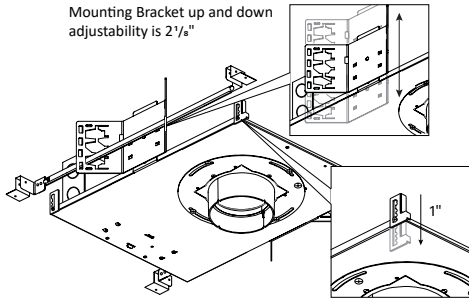
### 4RLA ACCENT



- IES files are based on the large opening trim with diffused lens.
- Not suitable for wet locations
- Increase in lumens by approximately 7%

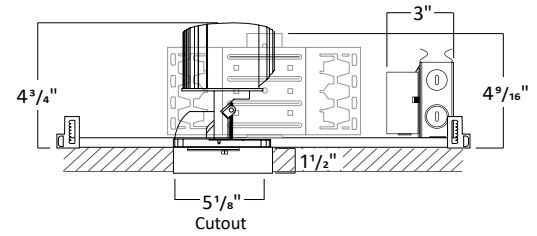
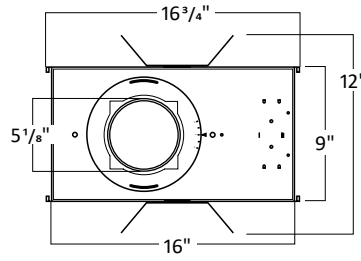
## 4" LED ARCHITECTURAL ROUND FLANGELESS ADJUSTABLE NEW CONSTRUCTION: IC & NON IC

### NON-IC HOUSING DIMENSIONS 6W-20W



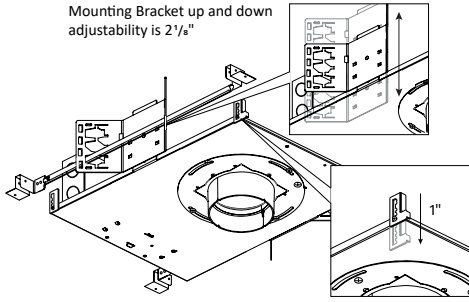
NC - Non-IC New Construction

Universal bar hanger mounts on the length or width side of the fixture;  
Ceiling mount bracket provides 1" adjustability.



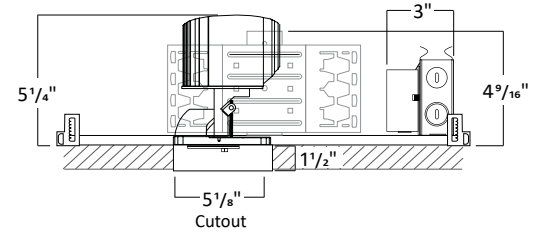
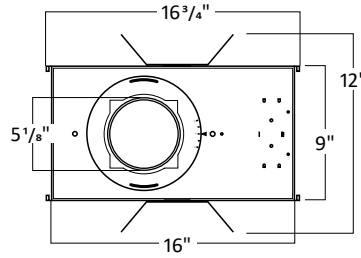
1. 1 1/2" is the standard collar height. Consult factory for Made to Order collar heights.
2. Allow 1/8" tolerance.

### NON-IC HOUSING DIMENSIONS 24W-56W



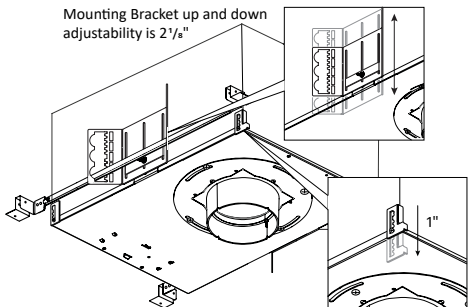
NC - Non-IC New Construction

Universal bar hanger mounts on the length or width side of the fixture;  
Ceiling mount bracket provides 1" adjustability.



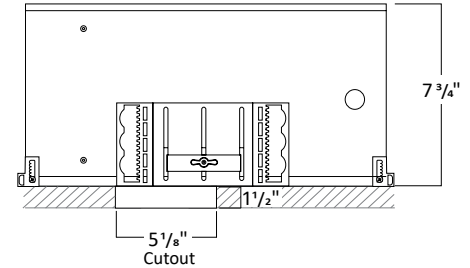
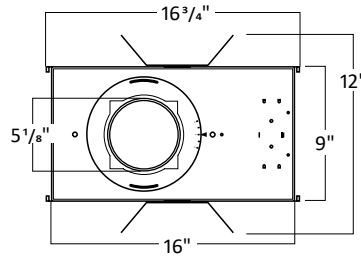
1. 1 1/2" is the standard collar height. Consult factory for Made to Order collar heights.
2. Allow 1/8" tolerance.

### IC HOUSING DIMENSIONS 6W-32W



IC - IC Air-Tight New Construction

Universal bar hanger mounts on the length or width side of the fixture;  
Ceiling mount bracket provides 1" adjustability.



1. 1 1/2" is the standard collar height. Consult factory for Made to Order collar heights.
2. Allow 1/8" tolerance.

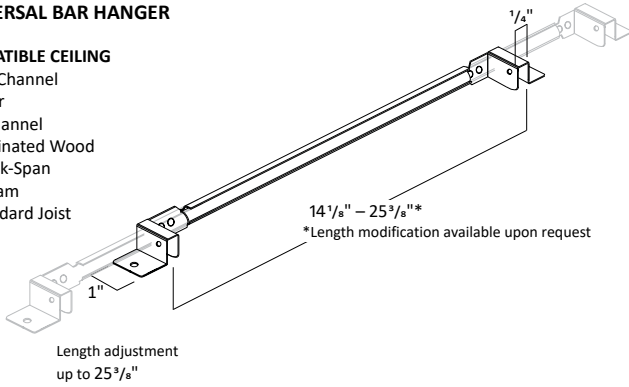
## 4" LED ARCHITECTURAL ROUND FLANGELESS ADJUSTABLE NEW CONSTRUCTION: IC & NON IC

### FRAME ACCESSORIES

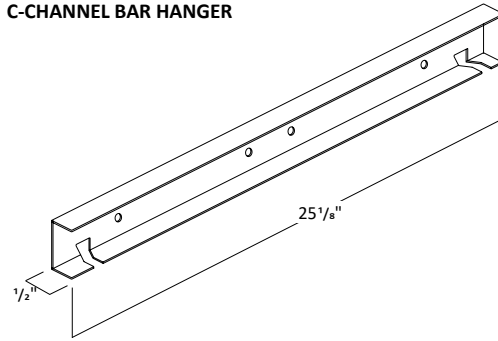
#### UNIVERSAL BAR HANGER

##### COMPATIBLE CEILING

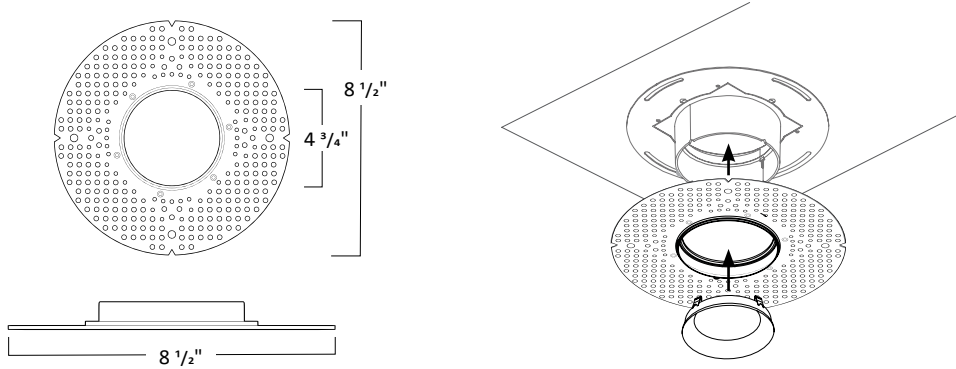
- Hat Channel
- T-Bar
- C-Channel
- Laminated Wood
- Quick-Span
- I-Beam
- Standard Joist



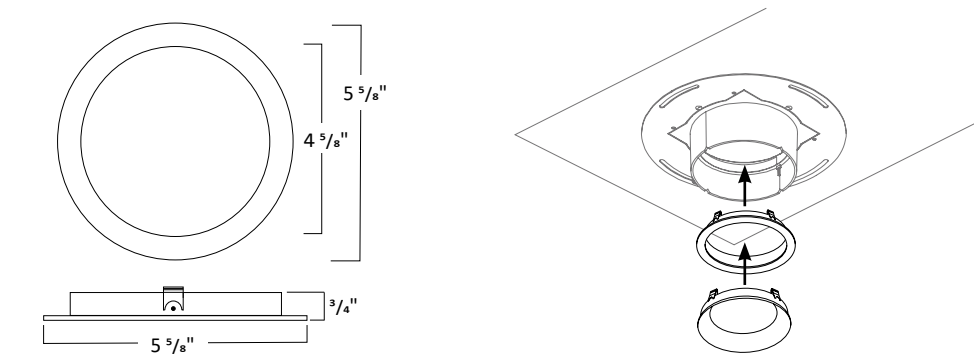
#### C-CHANNEL BAR HANGER



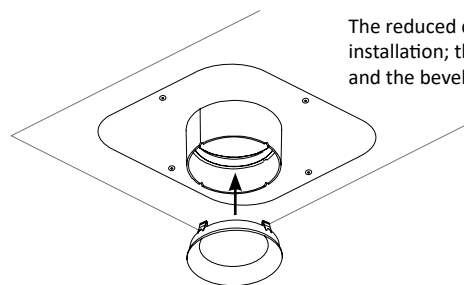
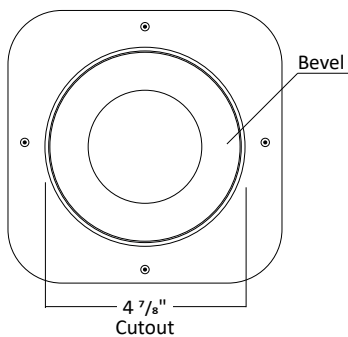
### FLANGELESS PLASTER (LPR)



### FLANGELESS MILLWORK WITH ADAPTER (LAMR)



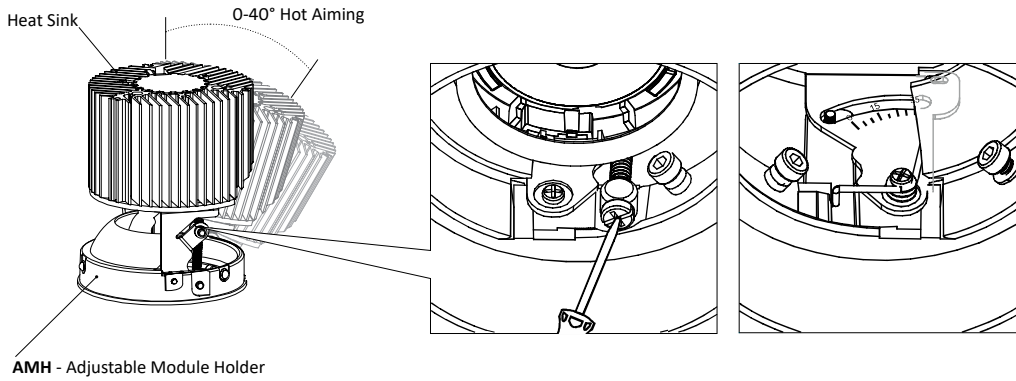
### FLANGELESS MILLWORK WITH DEDICATED COLLAR (LDMR)



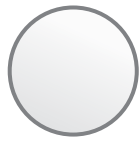
The reduced collar diameter allows for easy installation; the fixture drops into the ceiling opening and the bevel clicks securely into the collar.

## 4" LED ARCHITECTURAL ROUND FLANGELESS ADJUSTABLE NEW CONSTRUCTION: IC & NON IC

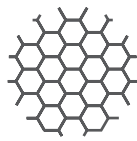
### MODULE DIMENSIONS



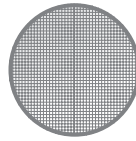
### FILTERS



Frosted Filter



Honey Comb

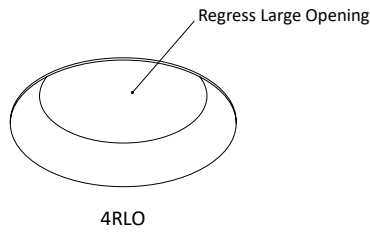


Solite Filter

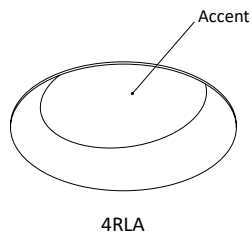
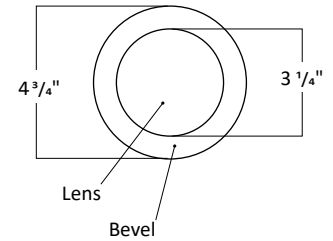
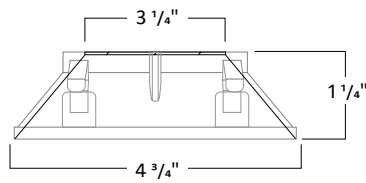


Linear Filter

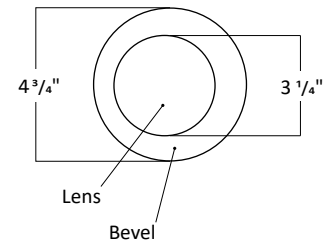
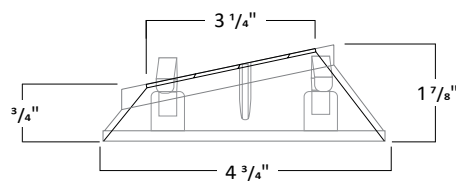
### TRIM DIMENSIONS



4RLO



4RLA



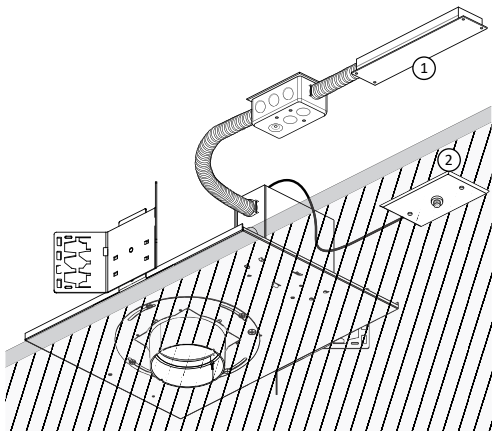
### TRIM FINISH



\*Consult Factory for Made to Order Finishes

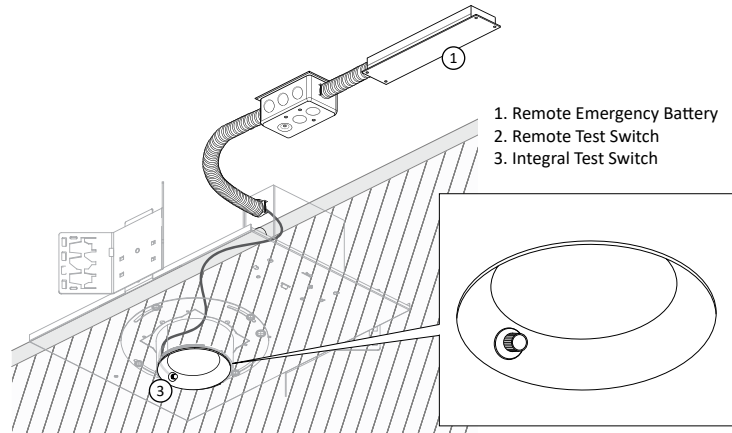
## 4" LED ARCHITECTURAL ROUND FLANGELESS ADJUSTABLE NEW CONSTRUCTION: IC & NON IC

### REMOTE EMERGENCY BATTERY: NON-IC NEW CONSTRUCTION HOUSING



NC - Non-IC New Construction

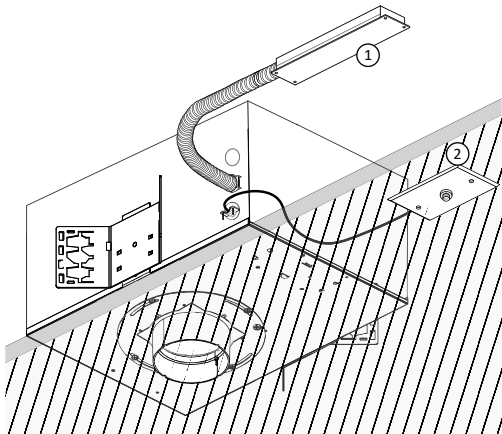
**ER8W** and **ER15W** is an 8W and 15W Emergency Battery that is remote to the fixture with a remote test switch. The EM unit is accessible from below the ceiling for replacement purposes.



NC - Non-IC New Construction

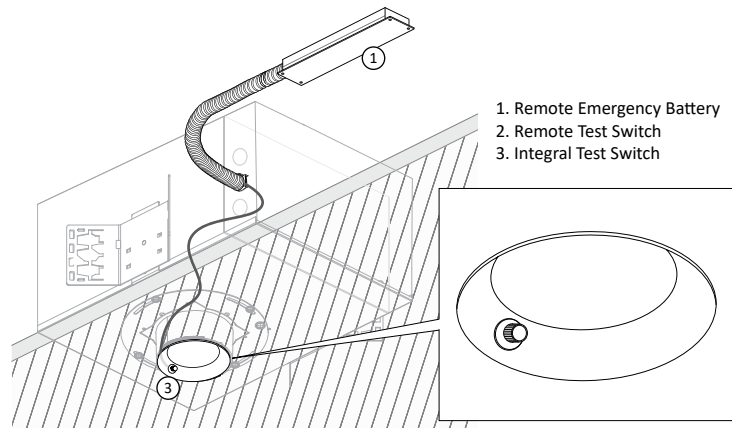
**EI8W** and **EI15W** is an 8W and 15W Emergency Battery that is remote to the fixture with an integral test switch. The EM unit is accessible from below the ceiling for replacement purposes.

### REMOTE EMERGENCY BATTERY: IC NEW CONSTRUCTION HOUSING



IC - IC Air-Tight New Construction

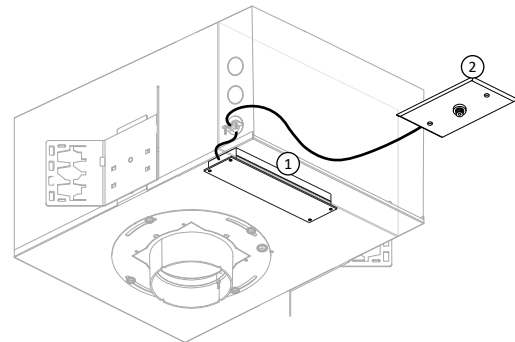
**ER8W** and **ER15W** is an 8W and 15W Emergency Battery that is remote to the fixture with a remote test switch. Ceiling access is required for replacement purposes



IC - IC Air-Tight New Construction

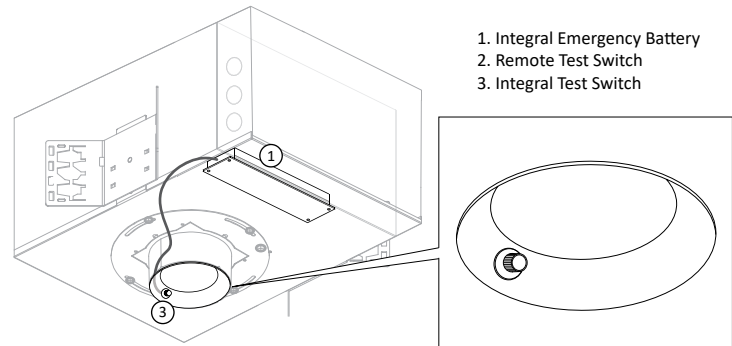
**EI8W** and **EI15W** is an 8W and 15W Emergency Battery that is remote to the fixture with an integral test switch. Ceiling access is required for replacement purposes.

### INTEGRAL EMERGENCY BATTERY: IC NEW CONSTRUCTION HOUSING



IC - IC Air-Tight New Construction

**ER4W** is a 4W Emergency Battery that is integral to the fixture with an remote test switch. The EM unit is accessible from below the ceiling for replacement purposes.



IC - IC Air-Tight New Construction

**EI4W** is a 4W Emergency Battery that is integral to the fixture with an integral test switch. The EM unit is accessible from below the ceiling for replacement purposes. \*Available in IC housing only