

4" LED ARCHITECTURAL ROUND FLANGELESS DOWNLIGHT NEW CONSTRUCTION: IC & NON IC



GENERAL INFORMATION

USE OF PRODUCT

The 4" Prime Downlight is the ideal product for architectural energy efficient lighting in commercial and residential applications. Available options include die-cast or anodized aluminum trims, various temperatures, optics, lumen outputs, and dimmable drivers.

LED ENGINE

LED engine available in 2700K, 3000K, 3500K, or 4000K in standard 90+ CRI. 2-step MacAdam ellipse allows for color consistency between fixtures. The LED is mounted to an aluminum heat sink for maximum life output and thermal management. Light engine provides a quick disconnect with locking strain relief to housing.

OPTICAL LENS

Field replaceable optical lenses are available in 15°, 24°, 30°, 35°, 40°, 50° and 70°. Easily achieve narrow spot to wide flood beam pattern.

FRAME CONSTRUCTION

IC and Non-IC rated housing are constructed from a 16-gauge heavy-duty, powder-coated cold-rolled steel frame and includes a junction box with ½" knockouts. Butterfly brackets (included) accommodate universal or C-channel hangers (order separately).

ADJUSTMENT

- Housing supports 359° locking rotation.
- Aperture collar compatible up to 1½" ceiling thickness.
- Accommodation for 2" or 3" ceiling thickness available upon request.

DIMMING

Available in nine driver selections. (ID) Standard all-inclusive ELV (120V), Triac (120V), and 0-10V (120-277V) dimming driver called Intelligent Drive, (EEI) eldoLED 1% Dim 0-10V, (EEIS) eldoLED 1% Dim 0-10V (120-277V) and Triac (120V), Max 20W, (EDIO) eldoLED 0.1 Dim 0-10V, (EDID) eldoLED 0.1% Dim DALI, (EDD) eldoLED 1% Dim DALI2, (LDE1) Lutron Hi-Lume 1% Ecosystem with Soft-on, Fade-to-Black Dimming, (L3DA) Hi-Lume 1% Ecosystem/3-Wire L3D Driver, (PEQO) Lutron Hi-Lume Premier Ecosystem 0.1% with Soft-on, Fade-to-Black Dimming.

BEVEL

Bevel includes standard frosted acrylic diffuser. Remove standard frosted acrylic diffuser in field for 7% lumens increase. Consult factory for made-to-order finishes. Wet location for bathrooms and showers with standard lens on trim.

EMERGENCY BATTERY

Optional Emergency Battery (EM) available in 4W (≈400 lm), 8W (≈800 lm), or 15W (≈1,500 lm) available for a minimum of 90 minutes. Please review page 7 for integral or remote EM and test switch options with solutions that allow for EM replacement from below the ceiling.

LABELS/COMPLIANCE/WARRANTY

- CSA listed for US and Canada
- Energy Star certified product
- Dry/Damp/Wet location rated
- State of California Title 24 and JA8 compliant
- Chicago Plenum with IC Housing
- 5-year limited warranty



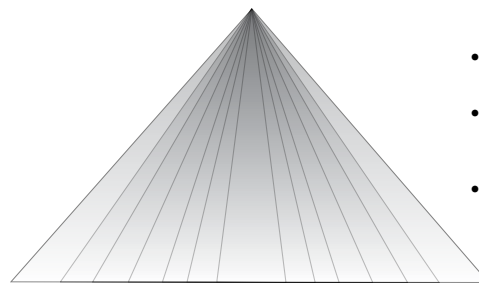
GENERAL PERFORMANCE CHART

*Detailed performance chart may be found on page 3

	6W	9W	12W	15W	20W	24W	28W	32W	33W	35W	40W	48W	56W
Initial Lumens	955	1296	1618	2015	2422	2799	3128	3405	4090	4626	4967	5786	6472
Delivered Lumens	650-829	891-1135	1129-1436	1404-1744	1706-2122	1986-2470	2245-2868	2474-3096	2877-3383	3177-3736	3462-4072	4017-4723	4510-5310

* Values are listed at 3000K, 90+ CRI with a white bevel & trim.
Delivered lumens range based on beam spread.
Performance may vary +/- 5%

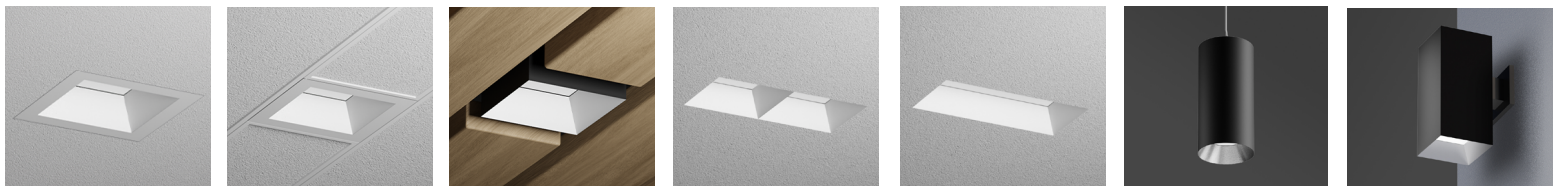
BEAM SPREAD



Available optics: 15° 24° 30° 35° 40° 50° 70°

- Field replaceable TIR optics
- Easily achieve narrow spot to wide flood beam pattern
- Optional filters available upon request

PRIME FAMILY OF PRODUCTS



Downlight

TechZone®

WoodWorks®

Multiple Dedicated Bevel

Multiple Open Bevel

Cylinder

Square Luminaire

4" LED ARCHITECTURAL ROUND FLANGELESS DOWNLIGHT NEW CONSTRUCTION: IC & NON IC

ORDERING INFORMATION

Series	Wattage	Dimming	Color Temperature	Optical Lens	Filter
RPA4	6W - 6 Watt 9W - 9 Watt 12W - 12 Watt 15W - 15 Watt 20W - 20 Watt 24W - 24 Watt 28W - 28 Watt 32W - 32 Watt 33W¹ - 33 Watt 35W¹ - 35 Watt 40W¹ - 40 Watt 48W¹ - 48 Watt 56W¹ - 56 Watt	ID² - Standard All-Inclusive ELV, Triac, and 0-10V Dimming Driver (Intelligent Drive) EI³ - eldoLED 1% Dim (0-10V) EI³S⁴ - eldoLED 1% Dim 0-10V (120-277V), Triac (120V), Max 20W EDIO³ - eldoLED 0.1% Dim (0-10V) EDID³ - eldoLED 0.1% Dim (DALI) EDD³ - eldoLED 1% Dim (DALI) LDE1⁵ - Lutron Hi-Lume 1% Ecosystem with Soft-on, Fade-to-Black Dimming L3DA⁵ - Hi-Lume 1% Ecosystem/3-Wire L3D Driver PEQ0 - Lutron Hi-Lume Premier Ecosystem 0.1% with Soft-on, Fade-to-Black Dimming	27K - 2700K 30K - 3000K 35K - 3500K 40K - 4000K	15^{6,7} - 15° 24⁷ - 24° 35 - 35° 40 - 40° 50 - 50° 70 - 70°	Blank - None F - Frosted Filter H - Honey Comb S - Solite Filter L - Linear Filter

Housing Type	Collar	Module Type	Trim Style	Frame Accessories
IC⁸ - IC Air-Tight New Construction NC - Non-IC New Construction	CR15⁹ - 1.5" Depth CR20 - 2.0" Depth CR25 - 2.5" Depth MTO - Made To Order	FMH - Downlight	LPR - Flangeless Plaster LAMR - Flangeless Millwork with Adapter LDMR - Flangeless Millwork with Dedicated Collar	UH - Universal Bar Hanger C - C-Channel Bar Hanger

Wireless Controls	Options	Notes
AWN - Athena Wireless (Lutron) CLM - Connected Lighting Module (Legrand Wattstopper)	ER4W¹⁰ - Emergency Battery with Remote Switch (400 lm) EI4W¹⁰ - Emergency Battery with Integral Switch (400 lm) ER8W¹¹ - Emergency Battery with Remote Switch (800 lm) EI8W¹¹ - Emergency Battery with Integral Switch (800 lm) ER15W¹¹ - Emergency Battery with Remote Switch (1,500 lm) EI15W¹¹ - Emergency Battery with Integral Switch (1,500 lm) 347V - 347V Step down transformer CP¹² - Chicago Plenum	<ol style="list-style-type: none"> Not available in IC housing. Intelligent Drive is the standard driver. Must specify logarithmic or linear eldoLED diver. Driver available up to 20W and programmed only in linear mode. Not offered in 6W. 15° available in 6W-32W only. 15° and 24° spread without lens on trim. Not available in 33W-56W. Standard Collar Height. Available in IC housing only. Ceiling access is required for IC housing to replace the EM unit. Requires IC housing.

TRIM ORDERING INFORMATION

Bevel Finish	Bevel
4" Round Flangeless Regress Large Opening	4RLOW - White bevel 4RLOH - Haze bevel 4RLOWE - Wheat bevel 4RLOS - Specular clear bevel 4RLOB - Black bevel 4RLOMTO - Made to order

4" LED ARCHITECTURAL ROUND FLANGELESS DOWNLIGHT NEW CONSTRUCTION: IC & NON IC

PERFORMANCE CHART

Optics		^{1,2} 15°	² 24°	30°	35°	40°	50°	70°
6W	Initial Lumens	955	955	955	955	955	955	955
	Delivered Lumens	803	829	748	771	785	713	650
	UGR			11.6	11.1	13.1	17.6	21.7
9W	Initial Lumens	1296	1296	1296	1296	1296	1296	1296
	Delivered Lumens	1097	1135	1022	1055	1073	971	891
	UGR			13.1	12.4	14.5	19	23.1
12W	Initial Lumens	1618	1618	1618	1618	1618	1618	1618
	Delivered Lumens	1387	1436	1285	1332	1347	1217	1129
	UGR			13.8	13	15	19.6	23.7
15W	Initial Lumens	2015	2015	2015	2015	2015	2015	2015
	Delivered Lumens	1632	1744	1591	1644	1659	1481	1404
	UGR			14.5	13.8	15.7	20.3	24.4
20W	Initial Lumens	2422	2422	2422	2422	2422	2422	2422
	Delivered Lumens	1976	2122	1933	2002	2017	1803	1706
	UGR			15.2	14.5	16.4	21	25.1
24W	Initial Lumens	2799	2799	2799	2799	2799	2799	2799
	Delivered Lumens	2300	2470	2243	2333	2346	2101	1986
	UGR			15.7	15	17	21.5	25.6
28W	Initial Lumens	3128	3128	3128	3128	3128	3128	3128
	Delivered Lumens	2820	2868	2519	2633	2646	2371	2245
	UGR			16.1	15.4	17.4	21.9	26
32W	Initial Lumens	3405	3405	3405	3405	3405	3405	3405
	Delivered Lumens	2921	3096	2777	2902	2915	2614	2474
	UGR			16.5	15.8	17.7	22.3	26.3
33W	Initial Lumens		4090		4090	4090	4090	4090
	Delivered Lumens		3518		3278	3383	3345	2877
	UGR				19.4	18.3	19.6	25.8
35W	Initial Lumens		4626		4626	4626	4626	4626
	Delivered Lumens		3879		3618	3736	3710	3177
	UGR				19.8	18.7	19.9	26.2
40W	Initial Lumens		4967		4967	4967	4967	4967
	Delivered Lumens		4218		3941	4072	4058	3462
	UGR				20	19	20.2	26.4
48W	Initial Lumens		5765		5765	5765	5765	5765
	Delivered Lumens		4887		4570	4723	4718	4017
	UGR				20.6	19.5	20.7	27
56W	Initial Lumens		6472		6472	6472	6472	6472
	Delivered Lumens		5484		5122	5304	5310	4510
	UGR				21	19.8	21.1	27.4

* Values are listed at 3000K, 90+ CRI with a white bevel & trim.

Notes

1. Available in 6W-32W only
2. 15° and 24° spread without lens on trim

COLOR TEMPERATURE MULTIPLIER FOR DELIVERED LUMENS

2700K	3000K	3500K	4000K
0.95	1.00	1.04	1.07

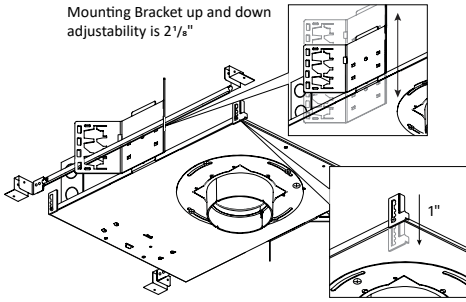
4RLO REGRESS LARGE OPENING



- IES files are based on the large opening trim with diffused lens.
- Not suitable for wet locations
- Increase in lumens by approximately 7%

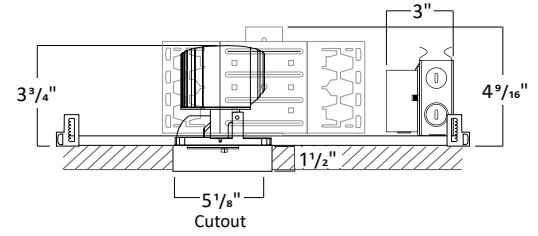
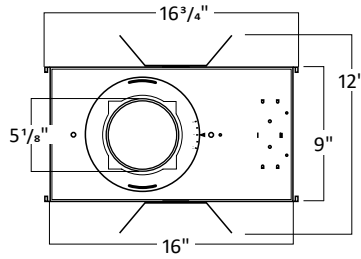
4" LED ARCHITECTURAL ROUND FLANGELESS DOWNLIGHT NEW CONSTRUCTION: IC & NON IC

NON-IC HOUSING DIMENSIONS 6W-20W



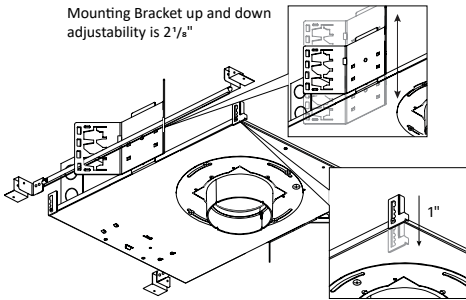
NC - Non-IC New Construction

Universal bar hanger mounts on the length or width side of the fixture;
Ceiling mount bracket provides 1" adjustability.



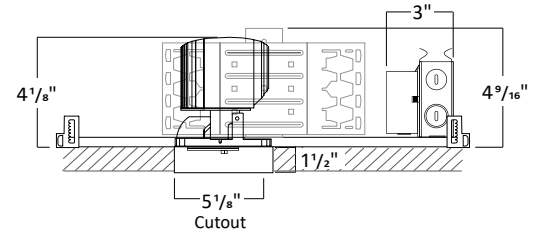
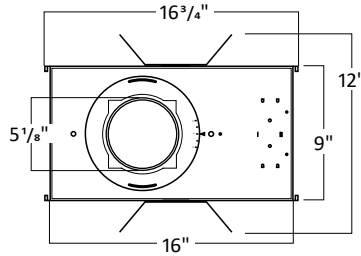
- 1 1/2" is the standard collar height. Consult factory for Made to Order collar heights.
- Allow 1/8" tolerance.

NON-IC HOUSING DIMENSIONS 24W-56W



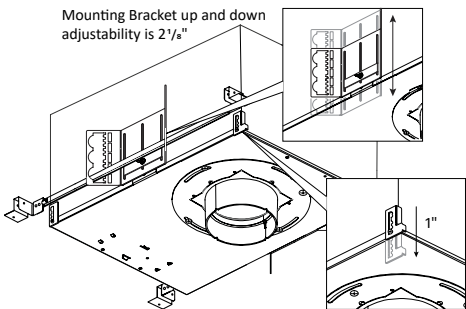
NC - Non-IC New Construction

Universal bar hanger mounts on the length or width side of the fixture;
Ceiling mount bracket provides 1" adjustability.



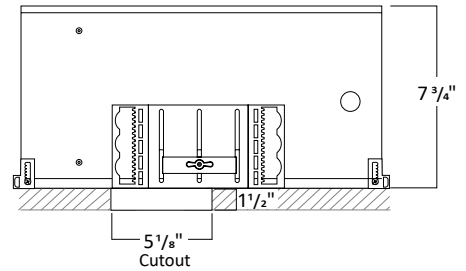
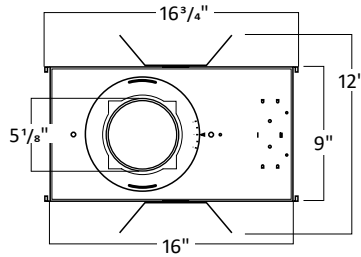
- 1 1/2" is the standard collar height. Consult factory for Made to Order collar heights.
- Allow 1/8" tolerance.

IC HOUSING DIMENSIONS 6W-32W



IC - IC Air-Tight New Construction

Universal bar hanger mounts on the length or width side of the fixture;
Ceiling mount bracket provides 1" adjustability.



- 1 1/2" is the standard collar height. Consult factory for Made to Order collar heights.
- Allow 1/8" tolerance.

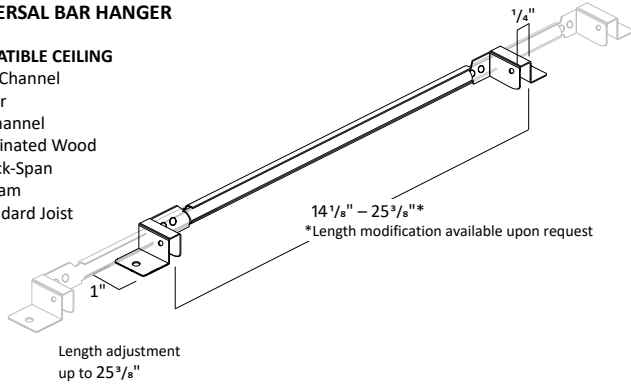
4" LED ARCHITECTURAL ROUND FLANGELESS DOWNLIGHT NEW CONSTRUCTION: IC & NON IC

FRAME ACCESSORIES

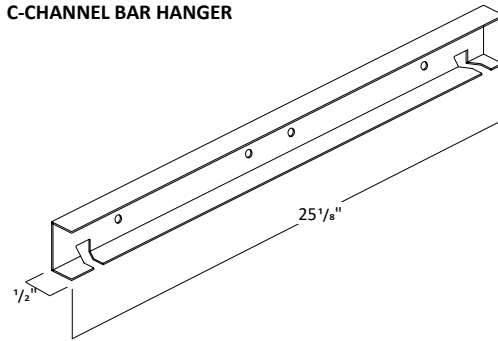
UNIVERSAL BAR HANGER

COMPATIBLE CEILING

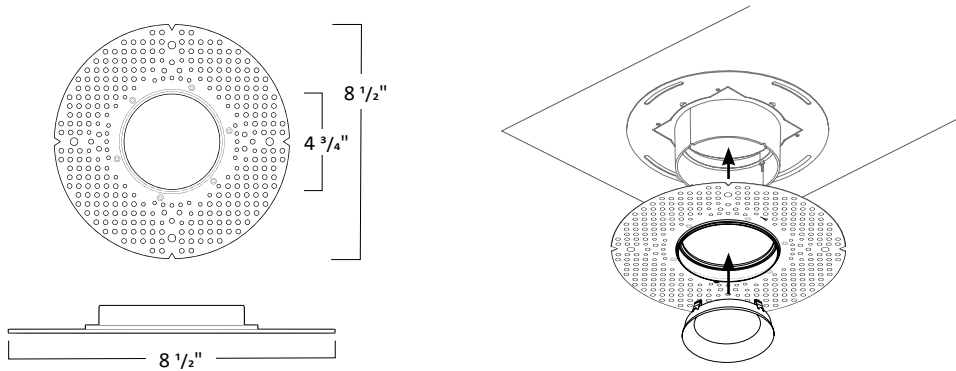
- Hat Channel
- T-Bar
- C-Channel
- Laminated Wood
- Quick-Span
- I-Beam
- Standard Joist



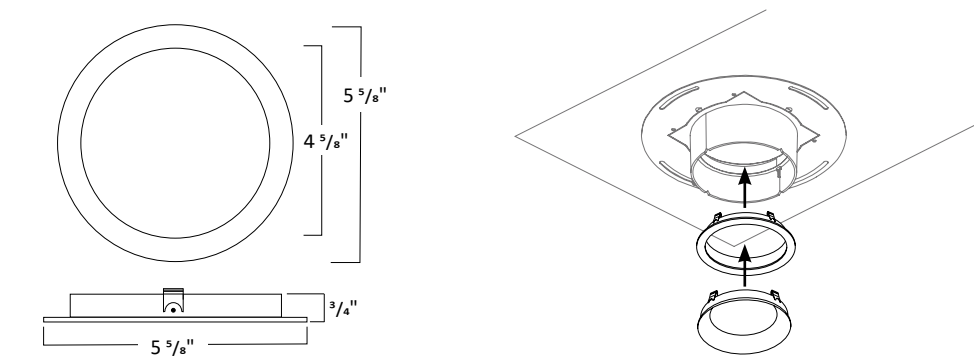
C-CHANNEL BAR HANGER



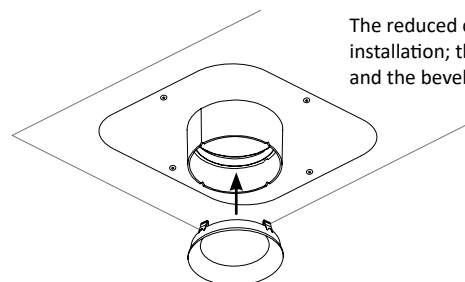
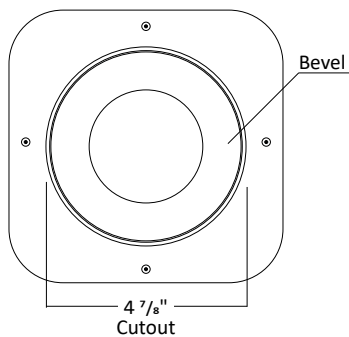
FLANGELESS PLASTER (LPR)



FLANGELESS MILLWORK WITH ADAPTER (LAMR)



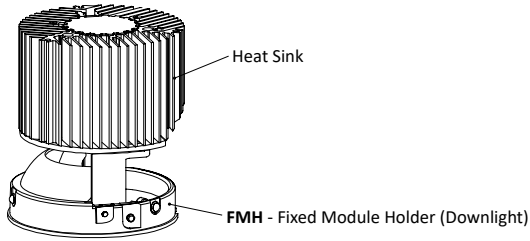
FLANGELESS MILLWORK WITH DEDICATED COLLAR (LDMR)



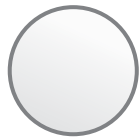
The reduced collar diameter allows for easy installation; the fixture drops into the ceiling opening and the bevel clicks securely into the collar.

4" LED ARCHITECTURAL ROUND FLANGELESS DOWNLIGHT
NEW CONSTRUCTION: IC & NON IC

MODULE DIMENSIONS



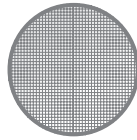
FILTERS



Frosted Filter



Honey Comb

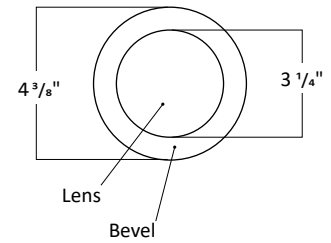
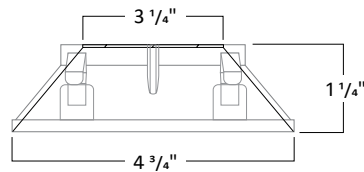
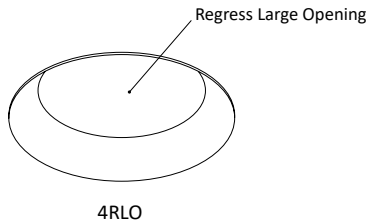


Solite Filter

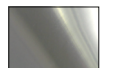


Linear Filter

TRIM DIMENSIONS



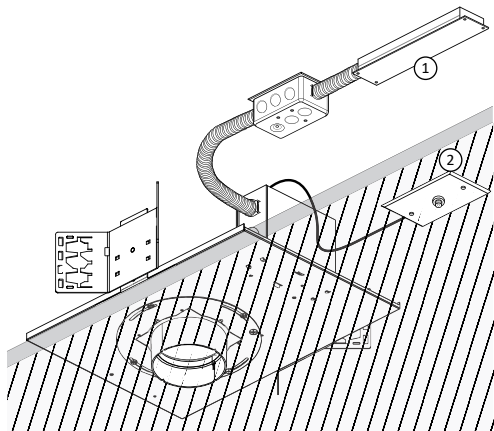
TRIM FINISH



*Consult Factory for Made to Order Finishes

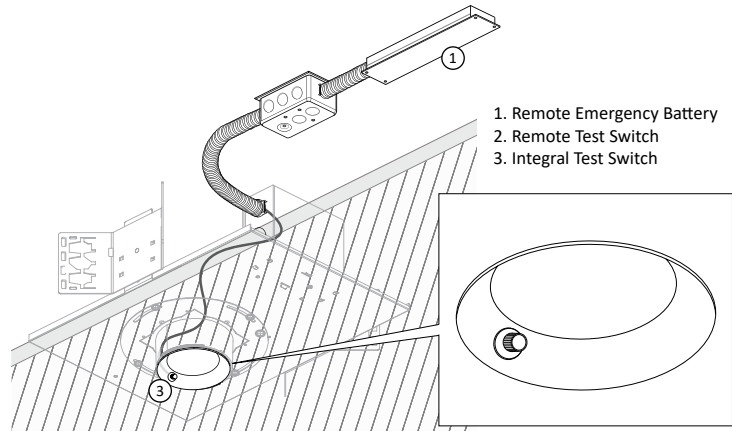
4" LED ARCHITECTURAL ROUND FLANGELESS DOWNLIGHT NEW CONSTRUCTION: IC & NON IC

REMOTE EMERGENCY BATTERY: NON-IC NEW CONSTRUCTION HOUSING



NC - Non-IC New Construction

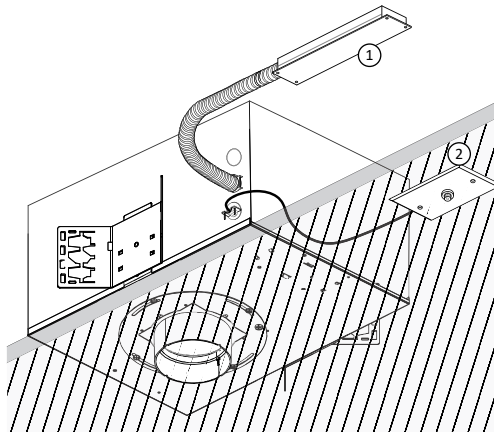
ER8W and **ER15W** is an 8W and 15W Emergency Battery that is remote to the fixture with a remote test switch. The EM unit is accessible from below the ceiling for replacement purposes.



NC - Non-IC New Construction

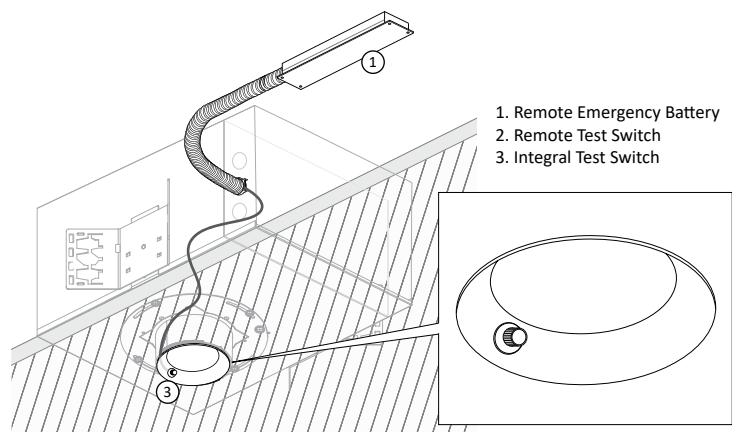
EI8W and **EI15W** is an 8W and 15W Emergency Battery that is remote to the fixture with an integral test switch. The EM unit is accessible from below the ceiling for replacement purposes.

REMOTE EMERGENCY BATTERY: IC NEW CONSTRUCTION HOUSING



IC - IC Air-Tight New Construction

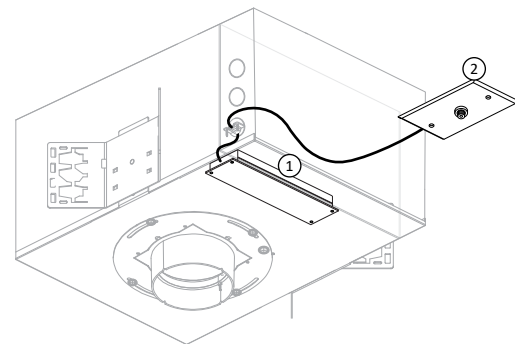
ER8W and **ER15W** is an 8W and 15W Emergency Battery that is remote to the fixture with a remote test switch. Ceiling access is required for replacement purposes.



IC - IC Air-Tight New Construction

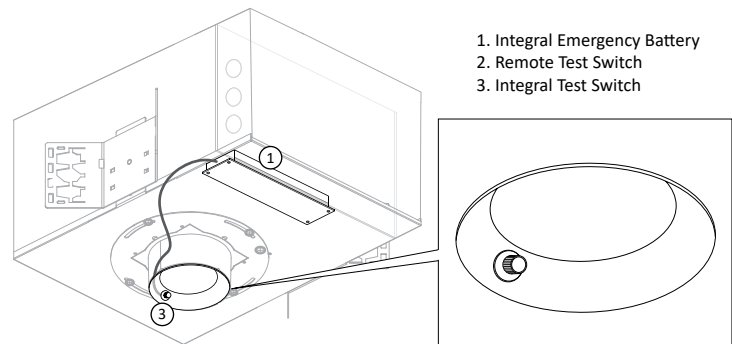
EI8W and **EI15W** is an 8W and 15W Emergency Battery that is remote to the fixture with an integral test switch. Ceiling access is required for replacement purposes.

INTEGRAL EMERGENCY BATTERY: IC NEW CONSTRUCTION HOUSING



IC - IC Air-Tight New Construction

ER4W is a 4W Emergency Battery that is integral to the fixture with a remote test switch. The EM unit is accessible from below the ceiling for replacement purposes.



IC - IC Air-Tight New Construction

EI4W is a 4W Emergency Battery that is integral to the fixture with an integral test switch. The EM unit is accessible from below the ceiling for replacement purposes.

*Available in IC housing only