

4" LED ARCHITECTURAL SQUARE FLANGELESS WALL WASH NEW CONSTRUCTION: IC & NON IC



GENERAL INFORMATION

USE OF PRODUCT

The 4" Prime Wall Wash is the ideal product for architectural energy efficient lighting in commercial and residential applications for illuminating the wall. Available options include die-cast or anodized aluminum trims, various temperatures, optics, lumen outputs, and dimmable drivers.

LED ENGINE

LED engine available in 2700K, 3000K, 3500K, or 4000K in standard 90+ CRI. 2-step MacAdam ellipse allows for color consistency between fixtures. The LED is mounted to an aluminum heat sink for maximum life output and thermal management. Light engine provides a quick disconnect with locking strain relief to housing.

OPTICAL LENS

Field replaceable optical lenses are available in 15°, 24°, 36°, 50° and 80°. Easily achieve narrow spot to wide flood beam pattern.

FRAME CONSTRUCTION

IC and Non-IC rated housing are constructed from a 16-gauge heavy-duty, powder-coated cold-rolled steel frame and includes a junction box with ½" knockouts. Butterfly brackets (included) accommodate universal or C-channel hangers (order separately).

ADJUSTMENT

- Light engine locked at 20° tilt, consult factory for other tilt setting.
- Housing supports 359° locking rotation.
- Aperture collar compatible up to 1½" ceiling thickness.
- Accommodation for 2" or 3" ceiling thickness available upon request.

DIMMING

Available in nine driver selections. (ID) Standard all-inclusive ELV (120V), Triac (120V), and 0-10V (120-277V) dimming driver called Intelligent Drive, (EEL) eldoLED 1% Dim 0-10V, (EES) eldoLED 1% Dim 0-10V (120-277V) and Triac (120V), Max 20W, (EDIO) eldoLED 0.1 Dim 0-10V, (EDID) eldoLED 0.1% Dim DALI, (EDD) eldoLED 1% Dim DALI2, (LDE1) Lutron Hi-Lume 1% Ecosystem with Soft-on, Fade-to-Black Dimming, (L3DA) Hi-Lume 1% Ecosystem/3-Wire L3D Driver, (PEQ0) Lutron Hi-Lume Premier Ecosystem 0.1% with Soft-on, Fade-to-Black Dimming.

BEVEL

Bevel includes standard frosted acrylic diffuser. Remove standard frosted acrylic diffuser in field for 7% lumens increase. Consult factory for made-to-order finishes. Wet location for bathrooms and showers with standard lens on trim.

EMERGENCY BATTERY

Optional Emergency Battery (EM) available in 4W (≈400 lm), 8W (≈800 lm), or 15W (≈1,500 lm) available for a minimum of 90 minutes. Please review page 7 for integral or remote EM and test switch options with solutions that allow for EM replacement from below the ceiling.

LABELS/COMPLIANCE/WARRANTY

- CSA listed for US and Canada
- Energy Star certified product
- Dry/Damp/Wet location rated
- State of California Title 24 and JA8 compliant
- Chicago Plenum with IC Housing
- 5-year limited warranty



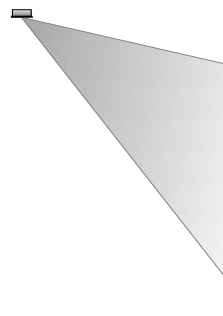
GENERAL PERFORMANCE CHART

*Detailed performance chart may be found on page 3

	6W	9W	12W	15W	20W	24W	28W	32W
Initial Lumens	955	1296	1618	2015	2422	2799	3128	3405
Delivered Lumens	418-687	569-933	713-1170	868-1426	1056-1735	1240-2036	1425-2339	1620-2668

* Values are listed at 3000K, 90+ CRI with a white bevel & trim.
Delivered lumens range based on beam spread.
Performance may vary +/- 5%

BEAM SPREAD



Field replaceable TIR optics

PRIME FAMILY OF PRODUCTS



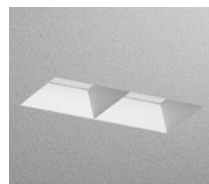
Downlight



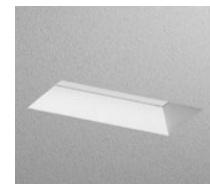
TechZone®



WoodWorks®



Multiple Dedicated Bevel



Multiple Open Bevel



Cylinder



Square Luminaire

4" LED ARCHITECTURAL SQUARE FLANGELESS WALL WASH NEW CONSTRUCTION: IC & NON IC

ORDERING INFORMATION

Series	Wattage	Dimming	Color Temperature	Optical Lens	Housing Type
RPA4	6W - 6 Watt 9W - 9 Watt 12W - 12 Watt 15W - 15 Watt 20W - 20 Watt 24W - 24 Watt 28W - 28 Watt 32W - 32 Watt	ID¹ - Standard All-Inclusive ELV, Triac, and 0–10V Dimming Driver (Intelligent Drive) EEl² - eldoLED 1% Dim (0–10V) EEIS³ - eldoLED 1% Dim 0-10V (120-277V), Triac (120V), Max 20W EDIO² - eldoLED 0.1% Dim (0-10V) EDID² - eldoLED 0.1% Dim (DALI) EDD² - eldoLED 1% Dim (DALI2) LDE1⁴ - Lutron Hi-Lume 1% Ecosystem with Soft-on, Fade-to-Black Dimming L3DA⁴ - Hi-Lume 1% Ecosystem/3-Wire L3D Driver PEQO - Lutron Hi-Lume Premier Ecosystem 0.1% with Soft-on, Fade-to-Black Dimming	27K - 2700K 30K - 3000K 35K - 3500K 40K - 4000K	15 - 15° 24 - 24° 36 - 36° 50 - 50° 80 - 80°	IC - IC Air-Tight New Construction NC - Non-IC New Construction

Collar	Module Type	Trim Style	Frame Accessories	Options
CS15⁵ - 1.5" Depth CS20 - 2.0" Depth CS25 - 2.5" Depth MTO - Made To Order	AMHW - Wall Wash	LPS - Flangeless Plaster LAMS - Flangeless Millwork with Adapter LDMS - Flangeless Millwork with Dedicated Collar	UH - Universal Bar Hanger C - C-Channel Bar Hanger	ER5W⁶ - Emergency Battery with Remote Switch (500 lm) EI5W⁶ - Emergency Battery with Integral Switch (500 lm) ER8W⁷ - Emergency Battery with Remote Switch (800 lm) EI8W⁷ - Emergency Battery with Integral Switch (800 lm) ER15W⁷ - Emergency Battery with Remote Switch (1500 lm) EI15W⁷ - Emergency Battery with Integral Switch (1500 lm) 347V - 347V Step down transformer CP⁸ - Chicago Plenum

TRIM ORDERING INFORMATION

Bevel Finish	Bevel	Notes
<div style="background-color: black; color: white; padding: 2px;">4" Square Flangeless Accent</div>	4SLAW - White bevel 4SLAH - Haze bevel 4SLAWE - Wheat bevel 4SLAS - Specular clear bevel 4SLAB - Black bevel 4SLAMTO - Made to order	<ol style="list-style-type: none"> Intelligent Drive is the standard driver. Must specify logarithmic or linear eldoLED diver. Driver available up to 20W and programmed only in linear mode. Not offered in 6W. Standard collar height. Available in IC housing only. Ceiling access is required for IC housing to replace the EM unit. Requires IC housing.

4" LED ARCHITECTURAL SQUARE FLANGELESS WALL WASH
NEW CONSTRUCTION: IC & NON IC

PERFORMANCE CHART

Optics		15°	24°	36°	50°	80°
6W	Initial Lumens	995	955	955	955	955
	Delivered Lumens	632	666	687	586	418
9W	Initial Lumens	1296	1296	1296	1296	1296
	Delivered Lumens	860	906	933	796	569
12W	Initial Lumens	1618	1618	1618	1618	1618
	Delivered Lumens	1077	1136	1170	997	713
15W	Initial Lumens	2015	2015	2015	2015	2015
	Delivered Lumens	1312	1383	1426	1213	868
20W	Initial Lumens	2422	2422	2422	2422	2422
	Delivered Lumens	1595	1682	1735	1476	1056
24W	Initial Lumens	2799	2799	2799	2799	2799
	Delivered Lumens	1870	1972	2036	1732	1240
28W	Initial Lumens	3128	3128	3128	3128	3128
	Delivered Lumens	2147	2266	2339	1986	1425
32W	Initial Lumens	3405	3405	3405	3405	3405
	Delivered Lumens	2437	2584	2668	2264	1620

COLOR TEMPERATURE MULTIPLIER FOR DELIVERED LUMENS

2700K	3000K	3500K	4000K
0.95	1.00	1.04	1.07

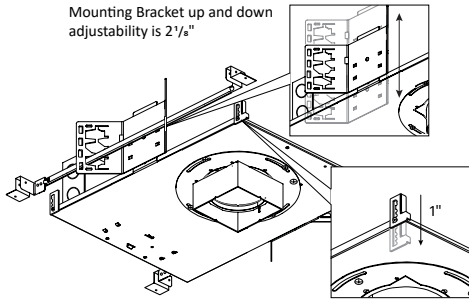
DIFFUSED LENS



- Listed IES files are with diffused lens

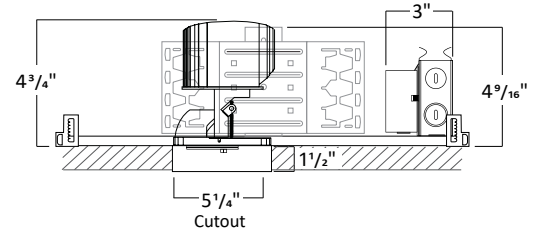
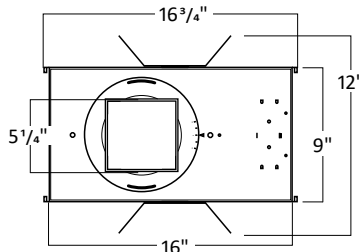
4" LED ARCHITECTURAL SQUARE FLANGELESS WALL WASH NEW CONSTRUCTION: IC & NON IC

NON-IC HOUSING DIMENSIONS 6W-20W



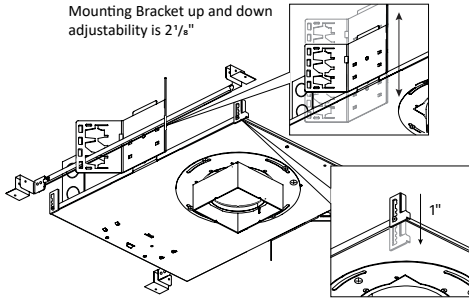
NC - Non-IC New Construction

Universal bar hanger mounts on the length or width side of the fixture; Ceiling mount bracket provides 1" adjustability.



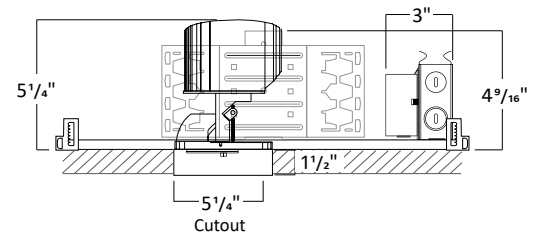
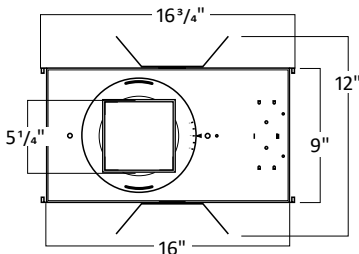
1. 1 1/2" is the standard collar height. Consult factory for Made to Order collar heights.
2. Allow 1/8" tolerance.

NON-IC HOUSING DIMENSIONS 24W-32W



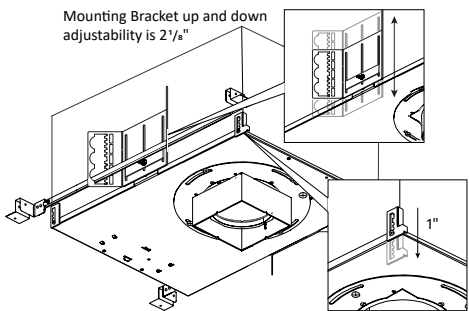
NC - Non-IC New Construction

Universal bar hanger mounts on the length or width side of the fixture; Ceiling mount bracket provides 1" adjustability.



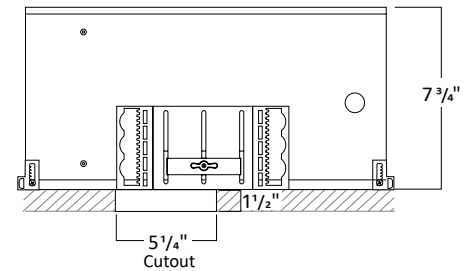
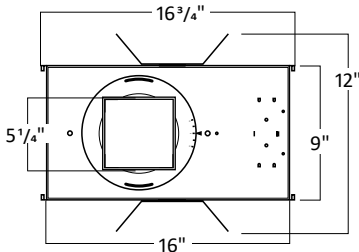
1. 1 1/2" is the standard collar height. Consult factory for Made to Order collar heights.
2. Allow 1/8" tolerance.

IC HOUSING DIMENSIONS 6W-32W



IC - IC Air-Tight New Construction

Universal bar hanger mounts on the length or width side of the fixture; Ceiling mount bracket provides 1" adjustability.



1. 1 1/2" is the standard collar height. Consult factory for Made to Order collar heights.
2. Allow 1/8" tolerance.

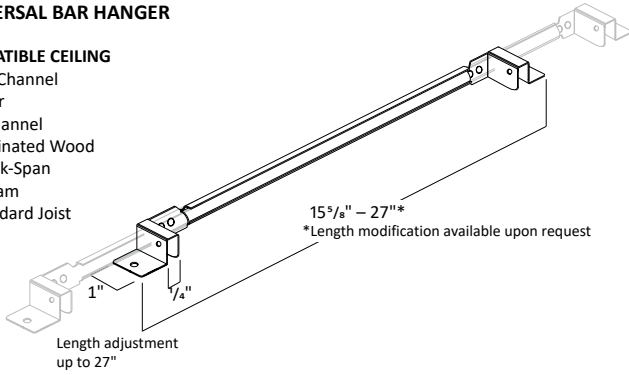
4" LED ARCHITECTURAL SQUARE FLANGELESS WALL WASH NEW CONSTRUCTION: IC & NON IC

FRAME ACCESSORIES

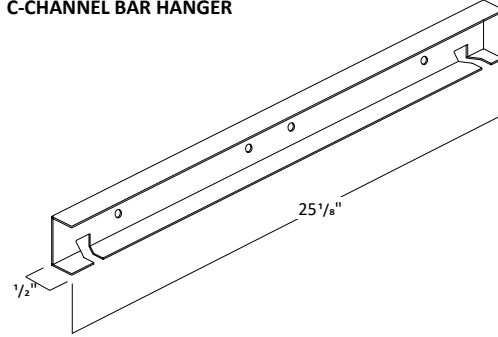
UNIVERSAL BAR HANGER

COMPATIBLE CEILING

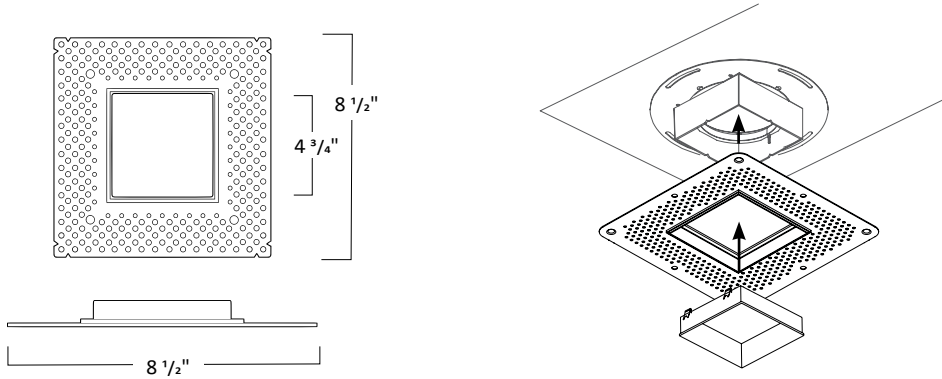
- Hat Channel
- T-Bar
- C-Channel
- Laminated Wood
- Quick-Span
- I-Beam
- Standard Joist



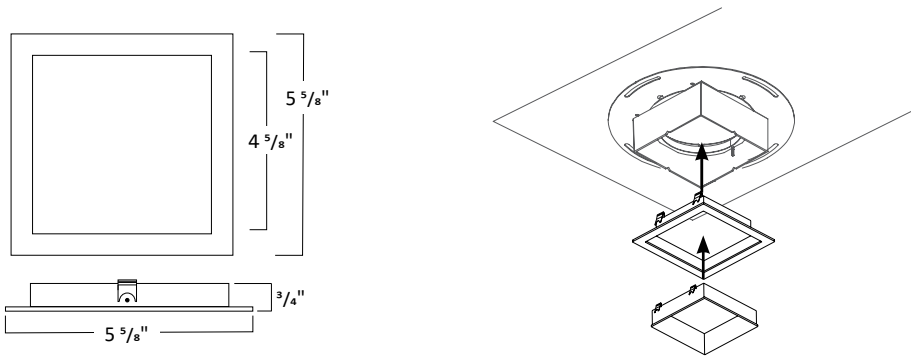
C-CHANNEL BAR HANGER



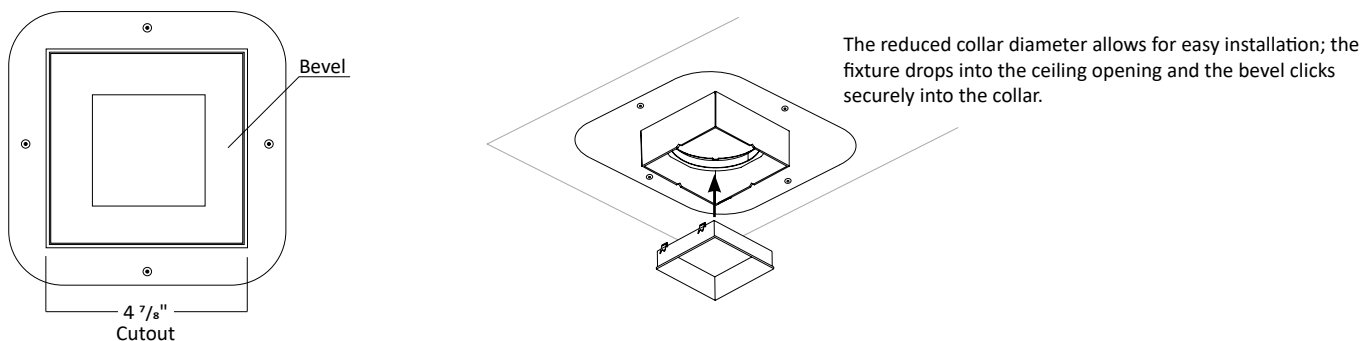
FLANGELESS PLASTER (LPS)



FLANGELESS MILLWORK WITH ADAPTER (LAMS)

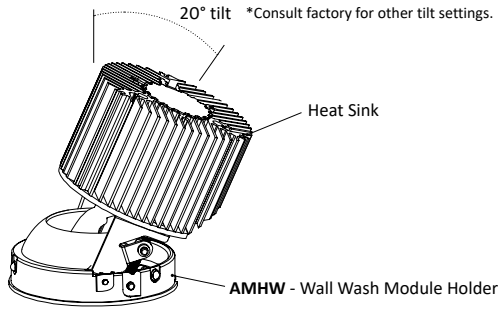


FLANGELESS MILLWORK WITH DEDICATED COLLAR (LDMS)

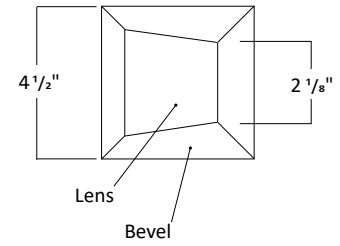
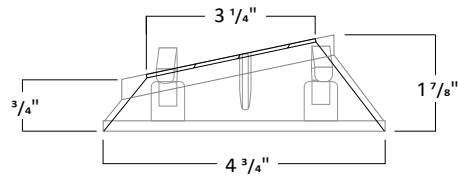
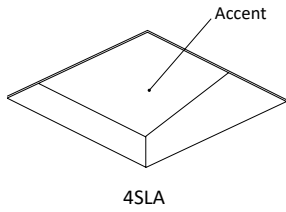


4" LED ARCHITECTURAL SQUARE FLANGELESS WALL WASH NEW CONSTRUCTION: IC & NON IC

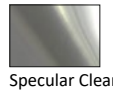
MODULE DIMENSIONS



TRIM DIMENSIONS



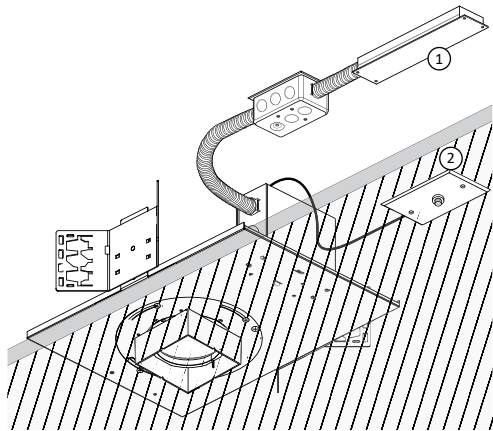
TRIM FINISH



*Consult Factory for Made to Order Finishes

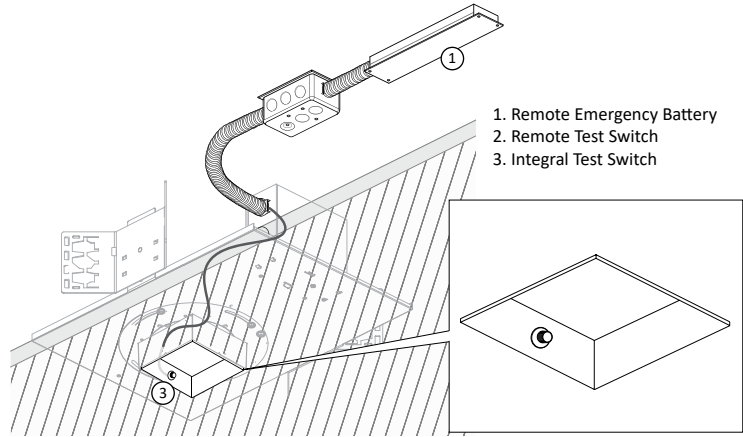
4" LED ARCHITECTURAL SQUARE FLANGELESS WALL WASH NEW CONSTRUCTION: IC & NON IC

REMOTE EMERGENCY BATTERY: NON-IC NEW CONSTRUCTION HOUSING



NC - Non-IC New Construction

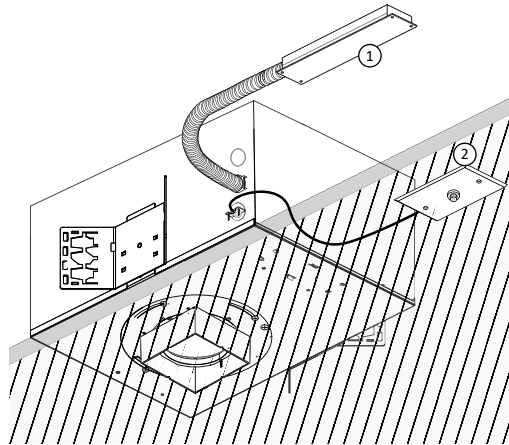
ER8W and **ER15W** is an 8W and 15W Emergency Battery that is remote to the fixture with a remote test switch. The EM unit is accessible from below the ceiling for replacement purposes.



NC - Non-IC New Construction

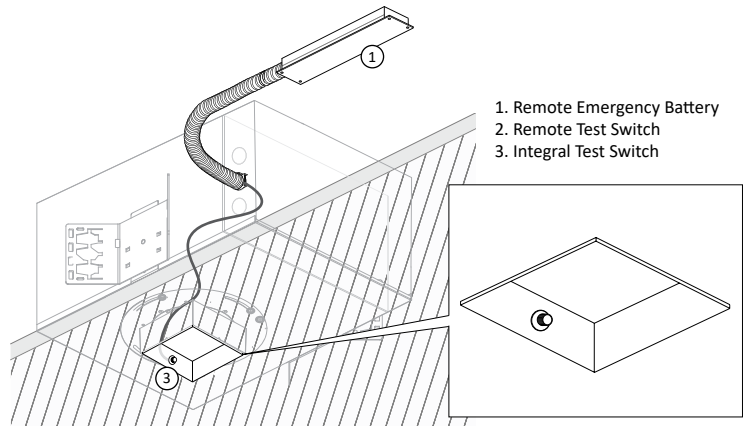
EI8W and **EI15W** is an 8W and 15W Emergency Battery that is remote to the fixture with an integral test switch. The EM unit is accessible from below the ceiling for replacement purposes.

REMOTE EMERGENCY BATTERY: IC NEW CONSTRUCTION HOUSING



IC - IC Air-Tight New Construction

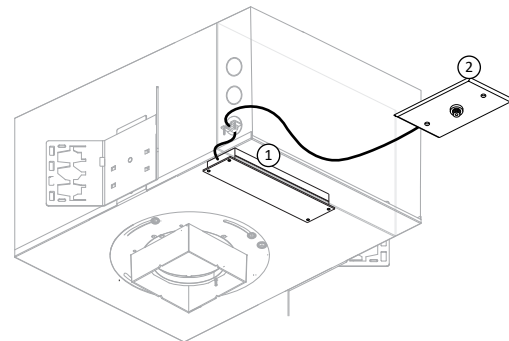
ER8W and **ER15W** is an 8W and 15W Emergency Battery that is remote to the fixture with a remote test switch. Ceiling access is required for replacement purposes.



IC - IC Air-Tight New Construction

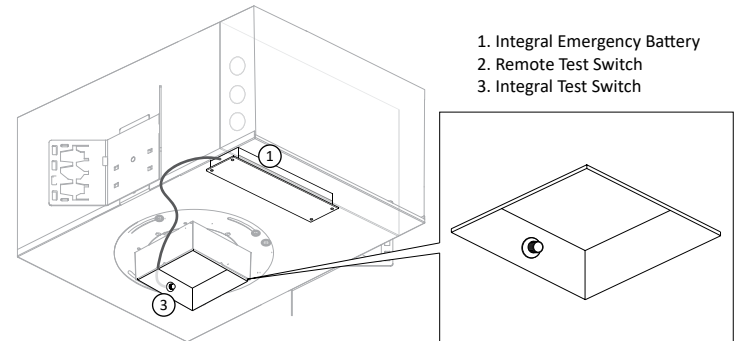
EI8W and **EI15W** is an 8W and 15W Emergency Battery that is remote to the fixture with an integral test switch. Ceiling access is required for replacement purposes.

INTEGRAL EMERGENCY BATTERY: IC NEW CONSTRUCTION HOUSING



IC - IC Air-Tight New Construction

ER4W is a 4W Emergency Battery that is integral to the fixture with a remote test switch. The EM unit is accessible from below the ceiling for replacement purposes.



IC - IC Air-Tight New Construction

EI4W is a 4W Emergency Battery that is integral to the fixture with an integral test switch. The EM unit is accessible from below the ceiling for replacement purposes.

*Available in IC housing only