

## 6" LED ARCHITECTURAL ROUND FLANGE DOWNLIGHT NEW CONSTRUCTION: IC & NON IC



### GENERAL INFORMATION

#### USE OF PRODUCT

The 6" Prime Downlight is the ideal product for architectural energy efficient lighting in commercial and residential applications. Available in die cast trims, with an assortment of optics and dimmable drivers

#### LED ENGINE

LED engine available in 2700K, 3000K, 3500K, or 4000K in standard 90+ CRI. 2-step MacAdam ellipse allows for color consistency between fixtures. The LED is mounted to an aluminum heat sink for maximum life output and thermal management. Light engine provides a quick disconnect with locking strain relief to housing.

#### OPTICAL LENS

Field replaceable optical lenses are available in 15°, 24°, 30°, 35°, 40°, 50° and 75°. Easily achieve narrow spot to wide flood beam pattern.

#### FRAME CONSTRUCTION

IC and Non-IC rated housing are constructed from a 16-gauge heavy-duty, powder-coated cold-rolled steel frame and includes a junction box with ½" knockouts. Butterfly brackets (included) accommodate universal or C-channel hangers (order separately).

#### ADJUSTMENT

- Housing supports 359° locking rotation.
- Aperture collar compatible up to 1½" ceiling thickness.
- Accommodation for 2" or 3" ceiling thickness available upon request.

#### DIMMING

Available in nine driver selections. (ID) Standard all-inclusive ELV (120V), Triac (120V), and 0-10V (120-277V) dimming driver called Intelligent Drive, (EEI) eldoLED 1% Dim 0-10V, (EES) eldoLED 1% Dim 0-10V (120-277V) and Triac (120V), Max 20W, (EDIO) eldoLED 0.1 Dim 0-10V, (EDID) eldoLED 0.1% Dim DALI, (EDD) eldoLED 1% Dim DALI2, (LDE1) Lutron Hi-Lume 1% Ecosystem with Soft-on, Fade-to-Black Dimming, (L3DA) Hi-Lume 1% Ecosystem/3-Wire L3D Driver, (PEQ0) Lutron Hi-Lume Premier Ecosystem 0.1% with Soft-on, Fade-to-Black Dimming.

#### TRIM

Flange trims available in die-cast or anodized aluminum. Trim includes standard frosted acrylic diffuser. Remove standard frosted acrylic diffuser in field for 7% lumens increase. Consult factory for made-to-order finishes. Wet location for bathrooms and showers with standard lens on trim.

#### EMERGENCY BATTERY

Optional Emergency Battery (EM) available in 4W (≈400 lm), 8W (≈800 lm), or 15W (≈1,500 lm) available for a minimum of 90 minutes. Please review page 6 for integral or remote EM and test switch options with solutions that allow for EM replacement from below the ceiling.

#### LABELS/COMPLIANCE/WARRANTY

- CSA listed for US and Canada
- Energy Star certified product
- Dry/Damp/Wet location rated
- State of California Title 24 and JA8 compliant
- Chicago Plenum with IC Housing
- 5-year limited warranty



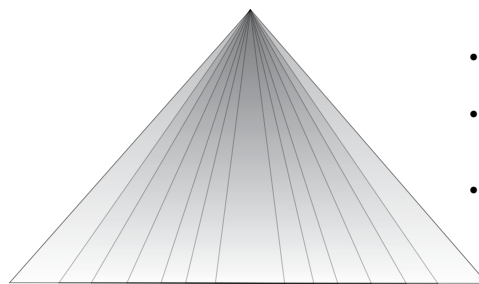
### GENERAL PERFORMANCE CHART

\*Detailed performance chart may be found on page 3

	6W	9W	12W	15W	20W	24W	28W	32W	33W	35W	40W	48W	56W
<b>Initial Lumens</b>	955	1296	1618	2015	2422	2799	3128	3405	4090	4626	4967	5786	6472
<b>Delivered Lumens</b>	703-831	962-1138	1217-1436	1477-1740	1797-2124	2094-2496	2369-2870	2610-3209	2948-3430	3267-3787	3571-4158	4149-4885	4668-6472

\* Values are listed at 3000K, 90+ CRI with a white bevel & trim.  
Delivered lumens range based on beam spread.  
Performance may vary +/- 5%

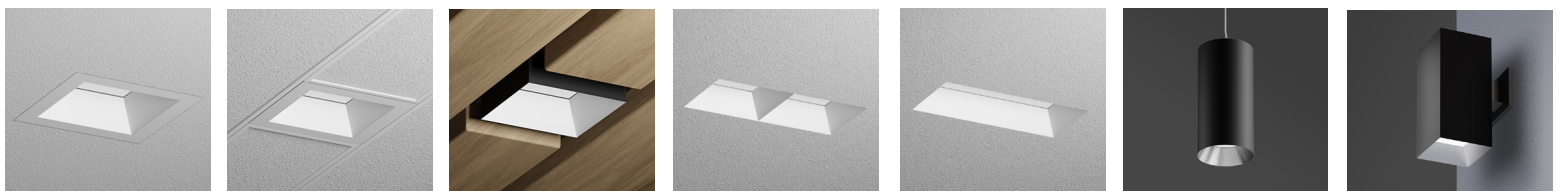
### BEAM SPREAD



Available optics: 15° 24° 30° 35° 40° 50° 75°

- Field replaceable TIR optics
- Easily achieve narrow spot to wide flood beam pattern
- Optional filters available upon request

### PRIME FAMILY OF PRODUCTS



Downlight

TechZone®

WoodWorks®

Multiple Dedicated Bevel

Multiple Open Bevel

Cylinder

Square Luminaire

Integer Lights continually works to improve products and reserves the right to make changes which may alter the performance, appearance or specification of products.

## 6" LED ARCHITECTURAL ROUND FLANGE DOWNLIGHT NEW CONSTRUCTION: IC & NON IC

### ORDERING INFORMATION

Series	Wattage	Dimming	Color Temperature	Optical Lens	Filter
RPA6	<b>6W</b> - 6 Watt <b>9W</b> - 9 Watt <b>12W</b> - 12 Watt <b>15W</b> - 15 Watt <b>20W</b> - 20 Watt <b>24W</b> - 24 Watt <b>28W</b> - 28 Watt <b>32W</b> - 32 Watt <b>33W<sup>1</sup></b> - 33 Watt <b>35W<sup>1</sup></b> - 35 Watt <b>40W<sup>1</sup></b> - 40 Watt <b>48W<sup>1</sup></b> - 48 Watt <b>56W<sup>1</sup></b> - 56 Watt	<b>ID<sup>2</sup></b> - Standard All-Inclusive ELV, Triac, and 0–10V Dimming Driver (Intelligent Drive) <b>EI<sup>3</sup></b> - eldoLED 1% Dim (0–10V) <b>EI<sup>5</sup></b> - eldoLED 1% Dim 0-10V (120-277V), Triac (120V), Max 20W <b>EDIO<sup>3</sup></b> - eldoLED 0.1% Dim (0-10V) <b>EDID<sup>3</sup></b> - eldoLED 0.1% Dim (DALI) <b>EDD<sup>3</sup></b> - eldoLED 1% Dim (DALI2) <b>LDE1<sup>5</sup></b> - Lutron Hi-Lume 1% Ecosystem with Soft-on, Fade-to-Black Dimming <b>L3DA<sup>5</sup></b> - Hi-Lume 1% Ecosystem/3-Wire L3D Driver <b>PEQO</b> - Lutron Hi-Lume Premier Ecosystem 0.1% with Soft-on, Fade-to-Black Dimming	<b>27K</b> - 2700K <b>30K</b> - 3000K <b>35K</b> - 3500K <b>40K</b> - 4000K	<b>15<sup>6,7</sup></b> - 15° <b>24<sup>7</sup></b> - 24° <b>30</b> - 30° <b>35</b> - 35° <b>40</b> - 40° <b>50</b> - 50° <b>75</b> - 75°	<b>Blank</b> - None <b>F</b> - Frosted Filter <b>H</b> - Honey Comb <b>S</b> - Solite Filter <b>L</b> - Linear Filter

Housing Type	Collar	Module Type	Frame Accessories
<b>IC<sup>8</sup></b> - IC Air-Tight New Construction <b>NC</b> - Non-IC New Construction	<b>CR15<sup>9</sup></b> - 1.5" Depth <b>CR20</b> - 2.0" Depth <b>CR25</b> - 2.5" Depth <b>MTO</b> - Made To Order	<b>FMH</b> - Downlight	<b>UH</b> - Universal Bar Hanger <b>C</b> - C-Channel Bar Hanger

Options	Wireless Controls	Notes
<b>ER4W<sup>10</sup></b> - Emergency Battery with Remote Switch (400 lm) <b>EI4W<sup>10</sup></b> - Emergency Battery with Integral Switch (400 lm) <b>ER8W<sup>11</sup></b> - Emergency Battery with Remote Switch (800 lm) <b>EI8W<sup>11</sup></b> - Emergency Battery with Integral Switch (800 lm) <b>ER15W<sup>11</sup></b> - Emergency Battery with Remote Switch (1,500 lm) <b>EI15W<sup>11</sup></b> - Emergency Battery with Integral Switch (1,500 lm) <b>347V</b> - 347V Step down transformer <b>CP<sup>12</sup></b> - Chicago Plenum	<b>AWN</b> - Athena Wireless (Lutron) <b>CLM</b> - Connected Lighting Module (Legrand Wattstopper)	<ol style="list-style-type: none"> <li>Not available in IC housing.</li> <li>Intelligent Drive is the standard driver.</li> <li>Must specify logarithmic or linear eldoLED driver.</li> <li>Driver available up to 20W and programmed only in linear mode.</li> <li>Not offered in 6W.</li> <li>Available in 6W-32W only.</li> <li>15° and 24° spread without lens on trim.</li> <li>Not available in 33W-56W.</li> <li>Standard collar height.</li> <li>Available in IC housing only.</li> <li>Ceiling access is required for IC housing to replace the EM unit.</li> <li>Requires IC housing.</li> </ol>

### TRIM ORDERING INFORMATION

Bevel / Flange Finish (one piece)	Trim Type	Bevel / Flange finish
<b>6" Round Flange Regress Large Opening</b>		<b>6RFOW-W</b> - White bevel / white flange <b>6RFOH-W</b> - Haze bevel / white flange <b>6RFOB-B</b> - Black bevel / black flange <b>6RFOH-H</b> - Haze bevel / haze flange <b>6RFOS-S</b> - Specular clear bevel / specular clear flange <b>6RFOS-W</b> - Specular clear bevel / white flange <b>6RFOWE-WE</b> - Wheat bevel / wheat flange <b>6RFOMTO</b> - Made to order

## 6" LED ARCHITECTURAL ROUND FLANGE DOWNLIGHT NEW CONSTRUCTION: IC & NON IC

### PERFORMANCE CHART

Optics		<sup>1,2</sup> 15°	<sup>2</sup> 24°	30°	35°	40°	50°	75°
6W	Initial Lumens	955	955	955	955	955	955	955
	Delivered Lumens	813	831	782	806	811	764	703
	UGR			10.1	9.8	11.6	15.6	19
9W	Initial Lumens	1296	1296	1296	1296	1296	1296	1296
	Delivered Lumens	1109	1138	1066	1107	1108	1033	962
	UGR			11.6	11.2	12.9	17	20.4
12W	Initial Lumens	1618	1618	1618	1618	1618	1618	1618
	Delivered Lumens	1400	1436	1338	1404	1390	1288	1217
	UGR			12.2	11.8	13.6	17.5	21
15W	Initial Lumens	2015	2015	2015	2015	2015	2015	2015
	Delivered Lumens	1712	1740	1631	1682	1669	1537	1477
	UGR			12.9	12.5	14.3	18.3	21.7
20W	Initial Lumens	2422	2422	2422	2422	2422	2422	2422
	Delivered Lumens	2080	2124	1962	2044	2032	1868	1797
	UGR			13.6	13.2	15	19	22.4
24W	Initial Lumens	2799	2799	2799	2799	2799	2799	2799
	Delivered Lumens	2421	2496	2285	2378	2369	2175	2094
	UGR			14.1	13.7	15.5	19.5	23
28W	Initial Lumens	3128	3128	3128	3128	3128	3128	3128
	Delivered Lumens	2763	2870	2586	2682	2677	2454	2369
	UGR			14.6	14.1	16	19.9	23.4
32W	Initial Lumens	3405	3405	3405	3405	3405	3405	3405
	Delivered Lumens	3042	3209	2841	2955	2950	2702	2610
	UGR			14.9	14.5	16.3	20.2	23.7
33W	Initial Lumens		4090		4090	4090	4090	4090
	Delivered Lumens		3413		3312	3430	3352	2948
	UGR				17.7	17.5	19	24.4
35W	Initial Lumens		4626		4626	4626	4626	4626
	Delivered Lumens		3787		3604	3787	3722	3267
	UGR				18	17.8	19.4	24.8
40W	Initial Lumens		4967		4967	4967	4967	4967
	Delivered Lumens		4158		3938	4127	4075	3571
	UGR				18.3	18.2	19.7	25.1
48W	Initial Lumens		5765		5765	5765	5765	5765
	Delivered Lumens		4885		4577	4787	4740	4149
	UGR				18.8	18.7	20.2	25.6
56W	Initial Lumens		6472		6472	6472	6472	6472
	Delivered Lumens		5619		5146	5378	5337	4668
	UGR				19.2	19.1	20.6	26

\* Values are listed at 3000K, 90+ CRI with a white bevel & trim.

#### Notes

1. Available in 6W-32W only
2. 15° and 24° spread without lens on trim

### COLOR TEMPERATURE MULTIPLIER FOR DELIVERED LUMENS

2700K	3000K	3500K	4000K
0.95	1.00	1.04	1.07

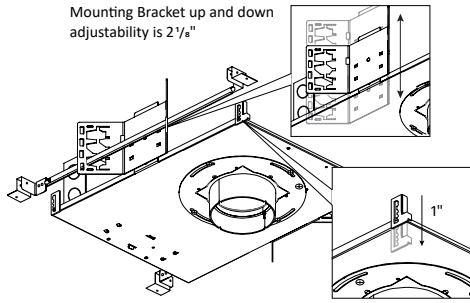
### 6RFO REGRESS LARGE OPENING



- IES files are based on the large opening trim with diffused lens.
- Not suitable for wet locations
- Increase in lumens by approximately 7%

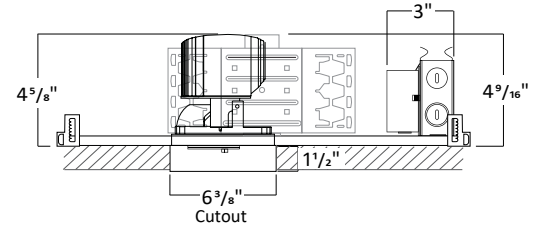
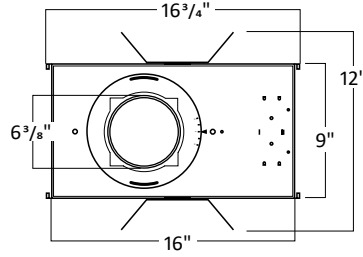
## 6" LED ARCHITECTURAL ROUND FLANGE DOWNLIGHT NEW CONSTRUCTION: IC & NON IC

### NON-IC HOUSING DIMENSIONS 6W-20W



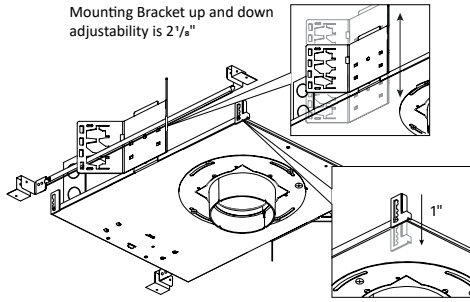
NC - Non-IC New Construction

Universal bar hanger mounts on the length or width side of the fixture; Ceiling mount bracket provides 1" adjustability.



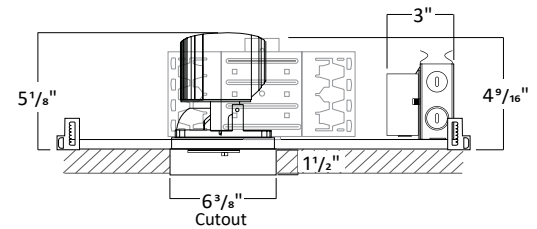
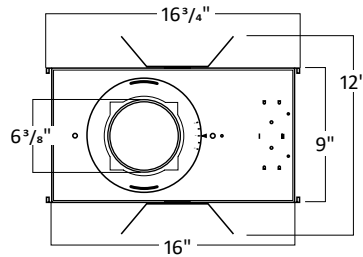
- 1 1/2" is the standard collar height. Consult factory for Made to Order collar heights.
- Allow 1/8" tolerance.

### NON-IC HOUSING DIMENSIONS 24W-56W



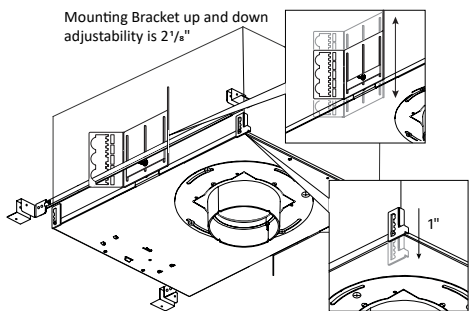
NC - Non-IC New Construction

Universal bar hanger mounts on the length or width side of the fixture; Ceiling mount bracket provides 1" adjustability.



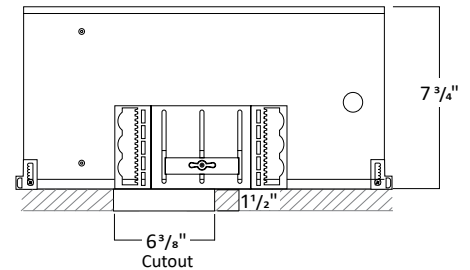
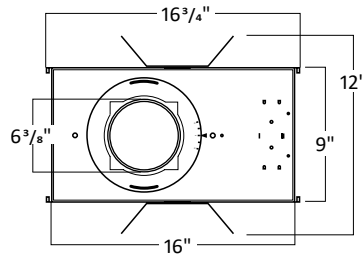
- 1 1/2" is the standard collar height. Consult factory for Made to Order collar heights.
- Allow 1/8" tolerance.

### IC HOUSING DIMENSIONS 6W-32W



IC - IC Air-Tight New Construction

Universal bar hanger mounts on the length or width side of the fixture; Ceiling mount bracket provides 1" adjustability.



- 1 1/2" is the standard collar height. Consult factory for Made to Order collar heights.
- Allow 1/8" tolerance.

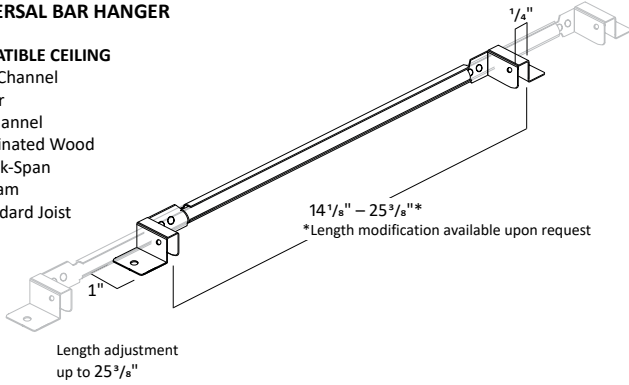
## 6" LED ARCHITECTURAL ROUND FLANGE DOWNLIGHT NEW CONSTRUCTION: IC & NON IC

### FRAME ACCESSORIES

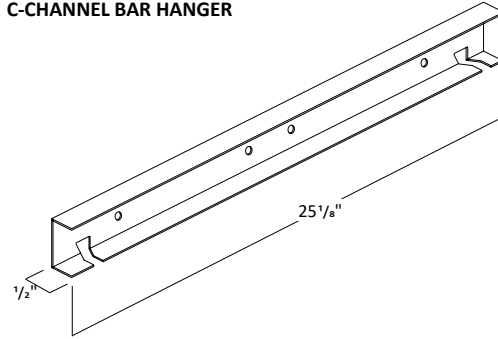
#### UNIVERSAL BAR HANGER

##### COMPATIBLE CEILING

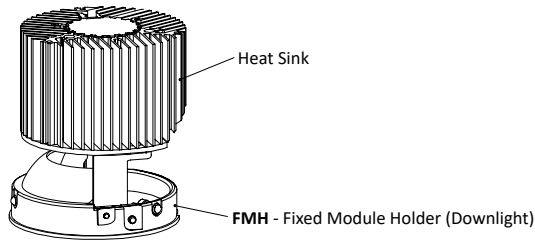
- Hat Channel
- T-Bar
- C-Channel
- Laminated Wood
- Quick-Span
- I-Beam
- Standard Joist



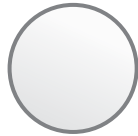
#### C-CHANNEL BAR HANGER



### LED MODULE



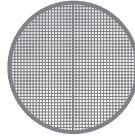
### FILTERS



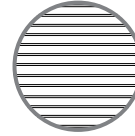
Frosted Filter



Honey Comb

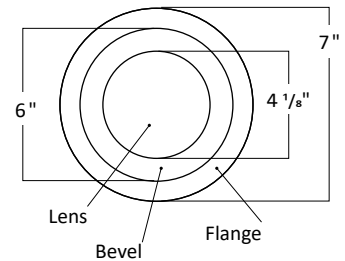
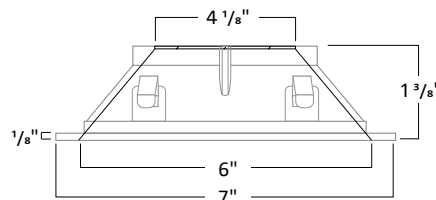
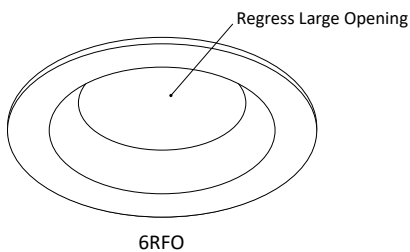


Solite Filter



Linear Filter

### TRIM DIMENSIONS



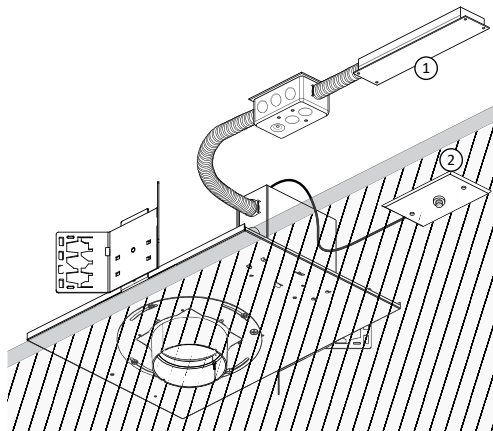
#### TRIM FINISH



\*Consult Factory for Made to Order Finishes

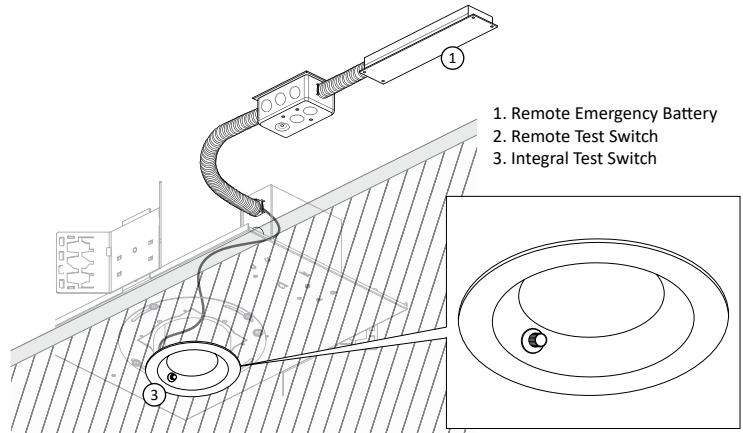
## 6" LED ARCHITECTURAL ROUND FLANGE DOWNLIGHT NEW CONSTRUCTION: IC & NON IC

### REMOTE EMERGENCY BATTERY: NON-IC NEW CONSTRUCTION HOUSING



NC - Non-IC New Construction

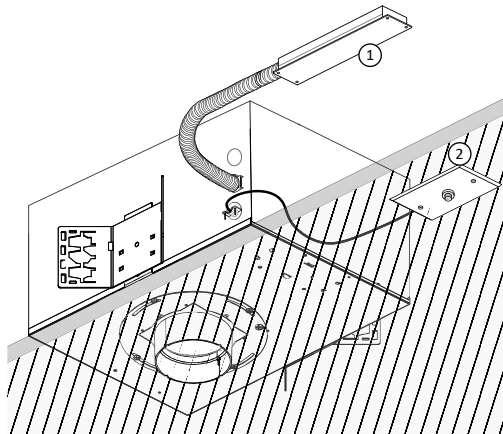
**ER8W** and **ER15W** is an 8W and 15W Emergency Battery that is remote to the fixture with a remote test switch. The EM unit is accessible from below the ceiling for replacement purposes.



NC - Non-IC New Construction

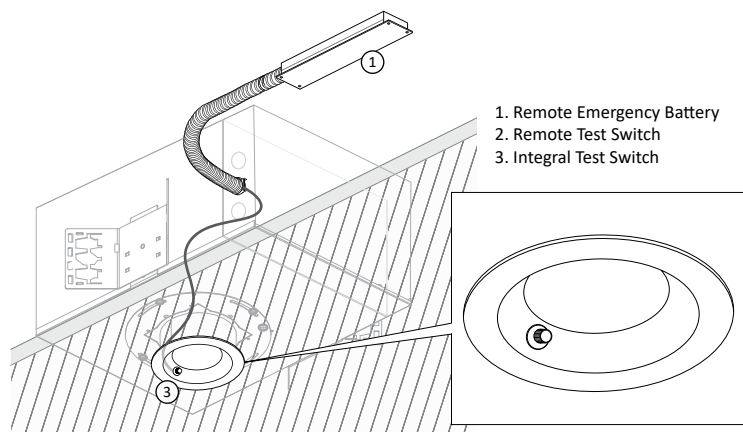
**EI8W** and **EI15W** is an 8W and 15W Emergency Battery that is remote to the fixture with an integral test switch. The EM unit is accessible from below the ceiling for replacement purposes.

### REMOTE EMERGENCY BATTERY: IC NEW CONSTRUCTION HOUSING



IC - IC Air-Tight New Construction

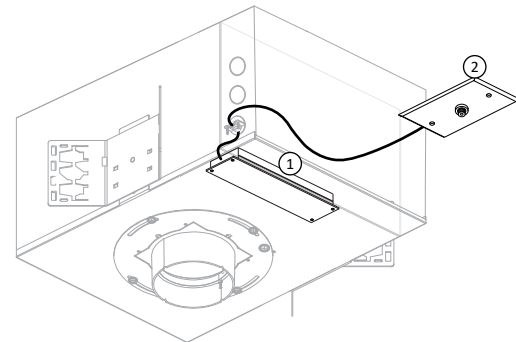
**ER8W** and **ER15W** is an 8W and 15W Emergency Battery that is remote to the fixture with a remote test switch. Ceiling access is required for replacement purposes.



IC - IC Air-Tight New Construction

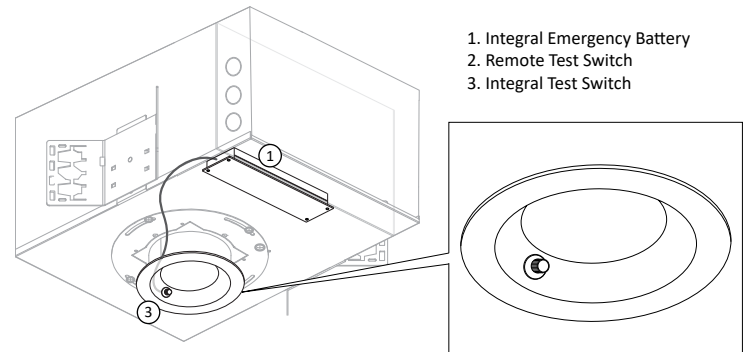
**EI8W** and **EI15W** is an 8W and 15W Emergency Battery that is remote to the fixture with an integral test switch. Ceiling access is required for replacement purposes.

### INTEGRAL EMERGENCY BATTERY: IC NEW CONSTRUCTION HOUSING



IC - IC Air-Tight New Construction

**ER4W** is a 4W Emergency Battery that is integral to the fixture with an remote test switch. The EM unit is accessible from below the ceiling for replacement purposes.



IC - IC Air-Tight New Construction

**EI4W** is a 4W Emergency Battery that is integral to the fixture with an integral test switch. The EM unit is accessible from below the ceiling for replacement purposes.

\*Available in IC housing only