

## 6" LED ARCHITECTURAL ROUND FLANGELESS ADJUSTABLE NEW CONSTRUCTION: IC & NON IC



### GENERAL INFORMATION

#### USE OF PRODUCT

The 6" Prime Adjustable is the ideal product for architectural energy efficient lighting in commercial and residential applications. Available in die cast trims, with an assortment of optics and dimmable drivers.

#### LED ENGINE

LED engine available in 2700K, 3000K, 3500K, or 4000K in standard 90+ CRI. 2-step MacAdam ellipse allows for color consistency between fixtures. The LED is mounted to an aluminum heat sink for maximum life output and thermal management. Light engine provides a quick disconnect with locking strain relief to housing.

#### OPTICAL LENS

Field replaceable optical lenses are available in 15°, 24°, 30°, 35°, 40°, 50° and 65°. Easily achieve narrow spot to wide flood beam pattern.

#### FRAME CONSTRUCTION

IC and Non-IC rated housing are constructed from a 16-gauge heavy-duty, powder-coated cold-rolled steel frame and includes a junction box with ½" knockouts. Butterfly brackets (included) accommodate universal or C-channel hangers (order separately).

#### ADJUSTMENT

- Light engine allows for hot aiming from 0-40° tilt.
- Housing supports 359° locking rotation.
- Aperture collar compatible up to 1½" ceiling thickness.
- Accommodation for 2" or 3" ceiling thickness available upon request.

#### DIMMING

Available in nine driver selections. (ID) Standard all-inclusive ELV (120V), Triac (120V), and 0-10V (120-277V) dimming driver called Intelligent Drive, (EEI) eldoLED 1% Dim 0-10V, (EES) eldoLED 1% Dim 0-10V (120-277V) and Triac (120V), Max 20W, (EDIO) eldoLED 0.1 Dim 0-10V, (EDID) eldoLED 0.1% Dim DALI, (EDD) eldoLED 1% Dim DALI2, (LDE1) Lutron Hi-Lume 1% Ecosystem with Soft-on, Fade-to-Black Dimming, (L3DA) Hi-Lume 1% Ecosystem/3-Wire L3D Driver, (PEQ0) Lutron Hi-Lume Premier Ecosystem 0.1% with Soft-on, Fade-to-Black Dimming.

#### BEVEL

Bevel includes standard frosted acrylic diffuser. Remove standard frosted acrylic diffuser in field for 7% lumens increase. Consult factory for made-to-order finishes. Wet location for bathrooms and showers with standard lens on trim.

#### EMERGENCY BATTERY

Optional Emergency Battery (EM) available in 4W (≈400 lm), 8W (≈800 lm), or 15W (≈1,500 lm) available for a minimum of 90 minutes. Please review page 7 for integral or remote EM and test switch options with solutions that allow for EM replacement from below the ceiling.

#### LABELS/COMPLIANCE/WARRANTY

- CSA listed for US and Canada
- Energy Star certified product
- Dry/Damp/Wet location rated
- State of California Title 24 and JA8 compliant
- Chicago Plenum with IC Housing
- 5-year limited warranty



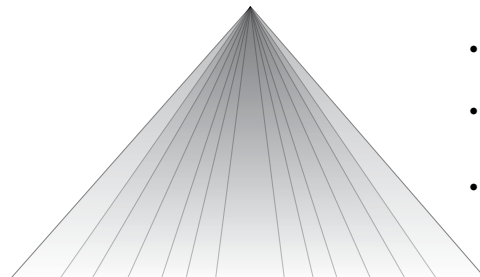
### GENERAL PERFORMANCE CHART

\*Detailed performance chart may be found on page 3

	6W	9W	12W	15W	20W	24W	28W	32W	33W	35W	40W	48W	56W
<b>Initial Lumens</b>	955	1296	1618	2015	2422	2799	3128	3405	4090	4626	4967	5786	6472
<b>Delivered Lumens</b>	529-831	725-1138	918-1436	1121-1740	1361-2124	1581-2496	1846-2870	2010-3209	2253-3156	2486-3537	2717-4158	3158-4885	3518-6472

\* Values are listed at 3000K, 90+ CRI with a white bevel & trim.  
Delivered lumens range based on beam spread.  
Performance may vary +/- 5%

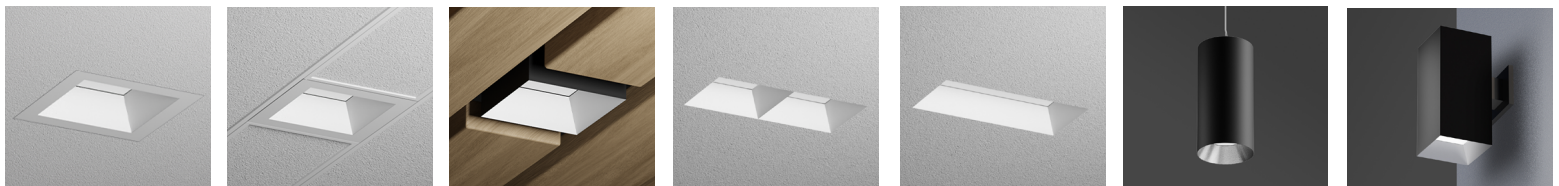
### BEAM SPREAD



Available optics: 15° 24° 30° 35° 40° 50° 65°

- Field replaceable TIR optics
- Easily achieve narrow spot to wide flood beam pattern
- Optional filters available upon request

### PRIME FAMILY OF PRODUCTS



Downlight      TechZone®      WoodWorks®      Multiple Dedicated Bevel      Multiple Open Bevel      Cylinder      Square Luminaire

Integer Lights continually works to improve products and reserves the right to make changes which may alter the performance, appearance or specification of products.

## 6" LED ARCHITECTURAL ROUND FLANGELESS ADJUSTABLE NEW CONSTRUCTION: IC & NON IC

### ORDERING INFORMATION

Series	Wattage	Dimming	Color Temperature	Optical Lens	Filter
RPA6	<b>6W</b> - 6 Watt <b>9W</b> - 9 Watt <b>12W</b> - 12 Watt <b>15W</b> - 15 Watt <b>20W</b> - 20 Watt <b>24W</b> - 24 Watt <b>28W</b> - 28 Watt <b>32W</b> - 32 Watt <b>33W<sup>1</sup></b> - 33 Watt <b>35W<sup>1</sup></b> - 35 Watt <b>40W<sup>1</sup></b> - 40 Watt <b>48W<sup>1</sup></b> - 48 Watt <b>56W<sup>1</sup></b> - 56 Watt	<b>ID<sup>2</sup></b> - Standard All-Inclusive ELV, Triac, and 0-10V Dimming Driver (Intelligent Drive) <b>EEI<sup>3</sup></b> - eldoLED 1% Dim (0-10V) <b>EEIS<sup>4</sup></b> - eldoLED 1% Dim 0-10V (120-277V), Triac (120V), Max 20W <b>EDIO<sup>3</sup></b> - eldoLED 0.1% Dim (0-10V) <b>EDID<sup>3</sup></b> - eldoLED 0.1% Dim (DALI) <b>EDD<sup>3</sup></b> - eldoLED 1% Dim (DALI2) <b>LDE1<sup>5</sup></b> - Lutron Hi-Lume 1% Ecosystem with Soft-on, Fade-to-Black Dimming <b>L3DA<sup>5</sup></b> - Hi-Lume 1% Ecosystem/3-Wire L3D Driver <b>PEQO</b> - Lutron Hi-Lume Premier Ecosystem 0.1% with Soft-on, Fade-to-Black Dimming	<b>27K</b> - 2700K <b>30K</b> - 3000K <b>35K</b> - 3500K <b>40K</b> - 4000K	<b>15<sup>6,7</sup></b> - 15° <b>24<sup>7</sup></b> - 24° <b>30</b> - 30° <b>35</b> - 35° <b>40</b> - 40° <b>50</b> - 50° <b>65</b> - 65°	<b>Blank</b> - None <b>F</b> - Frosted Filter <b>H</b> - Honey Comb <b>S</b> - Solite Filter <b>L</b> - Linear Filter

Housing Type	Collar	Module Type	Trim Style	Frame Accessories
<b>IC<sup>8</sup></b> - IC Air-Tight New Construction <b>NC</b> - Non-IC New Construction	<b>CR15<sup>9</sup></b> - 1.5" Depth <b>CR20</b> - 2.0" Depth <b>CR25</b> - 2.5" Depth <b>MTO</b> - Made To Order	<b>AMH</b> - Adjustable	<b>LPR</b> - Flangeless Plaster <b>LAMR</b> - Flangeless Millwork with Adapter <b>LDMR</b> - Flangeless Millwork with Dedicated Collar	<b>UH</b> - Universal Bar Hanger <b>C</b> - C-Channel Bar Hanger

#### Options

- ER4W<sup>10</sup>** - Emergency Battery with Remote Switch (400 lm)
- EI4W<sup>10</sup>** - Emergency Battery with Integral Switch (400 lm)
- ER8W<sup>11</sup>** - Emergency Battery with Remote Switch (800 lm)
- EI8W<sup>11</sup>** - Emergency Battery with Integral Switch (800 lm)
- ER15W<sup>11</sup>** - Emergency Battery with Remote Switch (1,500 lm)
- EI15W<sup>11</sup>** - Emergency Battery with Integral Switch (1,500 lm)
- 347V** - 347V Step down transformer
- CP<sup>12</sup>** - Chicago Plenum

#### Wireless Controls

- AWN** - Athena Wireless (Lutron)
- CLM** - Connected Lighting Module (Legrand Wattstopper)

#### Notes

1. Not available in IC housing.
2. Intelligent Drive is the standard driver.
3. Must specify logarithmic or linear eldoLED diver.
4. Driver available up to 20W and programmed only in linear mode.
5. Not offered in 6W.
6. Available in 6W-32W only.
7. 15° and 24° spread without lens on trim.
8. Not available in 33W-56W.
9. Standard collar height.
10. Available in IC housing only.
11. Ceiling access is required for IC housing to replace the EM unit.
12. Requires IC housing.

### TRIM ORDERING INFORMATION

Bevel Finish	Bevel
<b>6" Round Flangeless Regress Large Opening</b>	<b>6RLOW</b> - White bevel <b>6RLOH</b> - Haze bevel <b>6RLOWE</b> - Wheat bevel <b>6RLOS</b> - Specular clear bevel <b>6RLOB</b> - Black bevel <b>6RLOMTO</b> - Made to order
<b>6" Round Flangeless Accent</b>	<b>6RLAW</b> - White bevel <b>6RLAH</b> - Haze bevel <b>6RLAWE</b> - Wheat bevel <b>6RLAS</b> - Specular clear bevel <b>6RLAB</b> - Black bevel <b>6RLAMTO</b> - Made to order

## 6" LED ARCHITECTURAL ROUND FLANGELESS ADJUSTABLE NEW CONSTRUCTION: IC & NON IC

### PERFORMANCE CHART

Optics		<sup>1,2</sup> 15°	<sup>2</sup> 24°	30°	35°	40°	50°	65°
<b>6W</b>	Initial Lumens	955	955	955	955	955	955	955
	Delivered Lumens	813	831	708	730	765	653	529
	UGR			6.3	7.1	9.8	13.6	17
<b>9W</b>	Initial Lumens	1296	1296	1296	1296	1296	1296	1296
	Delivered Lumens	1109	1138	967	999	1045	894	725
	UGR			7.8	8.6	11.1	15	18.4
<b>12W</b>	Initial Lumens	1618	1618	1618	1618	1618	1618	1618
	Delivered Lumens	1400	1436	1225	1264	1311	1134	918
	UGR			8.4	9.2	11.7	15.6	19
<b>15W</b>	Initial Lumens	2015	2015	2015	2015	2015	2015	2015
	Delivered Lumens	1712	1740	1539	1598	1627	1389	1121
	UGR			9.1	9.9	12.4	16.3	19.7
<b>20W</b>	Initial Lumens	2422	2422	2422	2422	2422	2422	2422
	Delivered Lumens	2080	2124	1868	1942	1972	1706	1361
	UGR			9.9	10.6	13.1	17.1	20.3
<b>24W</b>	Initial Lumens	2799	2799	2799	2799	2799	2799	2799
	Delivered Lumens	2421	2496	2172	2253	2287	1979	1581
	UGR			10.4	11	13.7	17.6	20.9
<b>28W</b>	Initial Lumens	3128	3128	3128	3128	3128	3128	3128
	Delivered Lumens	2763	2870	2449	2540	2573	2225	1846
	UGR			10.8	11.5	14.1	18	21.4
<b>32W</b>	Initial Lumens	3405	3405	3405	3405	3405	3405	3405
	Delivered Lumens	3042	3209	2695	2763	2827	2445	2010
	UGR			11.2	11.7	14.4	18.4	21.7
<b>33W</b>	Initial Lumens		4090		4090	4090	4090	4090
	Delivered Lumens		3413		3104	3156	3130	2253
	UGR				14.5	15.1	16.7	21.5
<b>35W</b>	Initial Lumens		4626		4626	4626	4626	4626
	Delivered Lumens		3787		3423	3494	3537	2486
	UGR				14.8	15.4	17.1	21.8
<b>40W</b>	Initial Lumens		4967		4967	4967	4967	4967
	Delivered Lumens		4158		3727	3817	3859	2717
	UGR				15.1	15.7	17.4	22.1
<b>48W</b>	Initial Lumens		5765		5765	5765	5765	5765
	Delivered Lumens		4885		4316	4433	4478	3158
	UGR				15.6	16.2	17.9	22.6
<b>56W</b>	Initial Lumens		6472		6472	6472	6472	6472
	Delivered Lumens		5619		5012	4984	5033	3518
	UGR				16.5	16.6	18.4	23

\* Values are listed at 3000K, 90+ CRI with a white bevel & trim.

- Notes
1. Available in 6W-32W only
  2. 15° and 24° spread without lens on trim

### COLOR TEMPERATURE MULTIPLIER FOR DELIVERED LUMENS

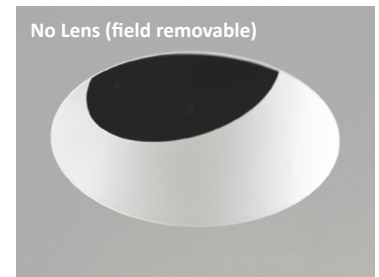
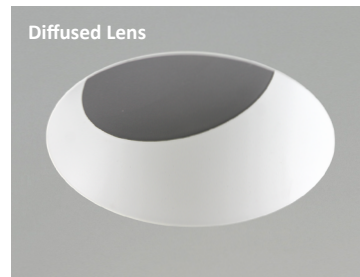
2700K	3000K	3500K	4000K
0.95	1.00	1.04	1.07

### 6RLO REGRESS LARGE OPENING



- IES files are based on the large opening trim with diffused lens.
- Not suitable for wet locations
- Increase in lumens by approximately 7%

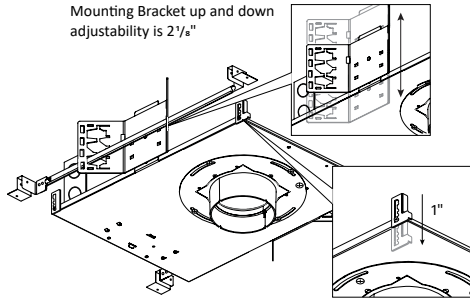
### 6RLA ACCENT



- IES files are based on the large opening trim with diffused lens.
- Not suitable for wet locations
- Increase in lumens by approximately 7%

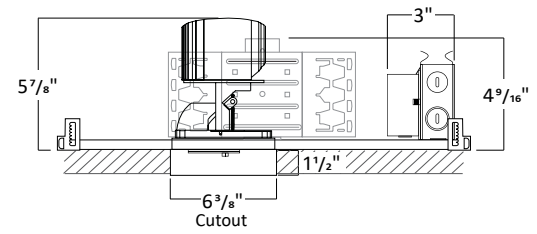
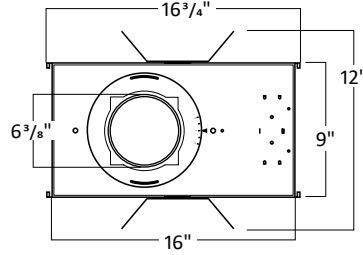
## 6" LED ARCHITECTURAL ROUND FLANGELESS ADJUSTABLE NEW CONSTRUCTION: IC & NON IC

### NON-IC HOUSING DIMENSIONS 6W-20W



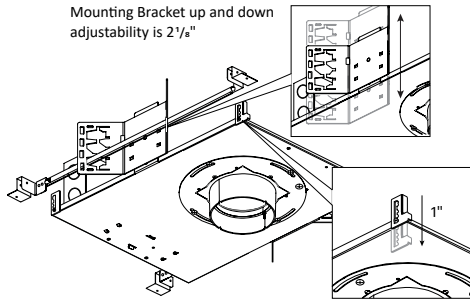
NC - Non-IC New Construction

Universal bar hanger mounts on the length or width side of the fixture; Ceiling mount bracket provides 1" adjustability.



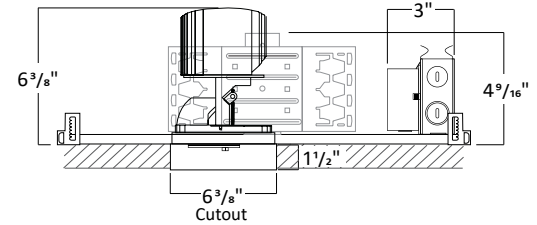
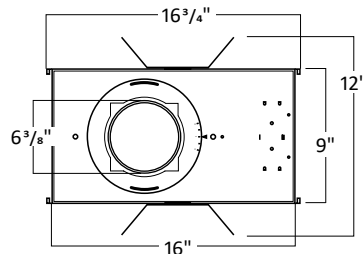
1. 1 1/2" is the standard collar height. Consult factory for Made to Order collar heights.
2. Allow 1/8" tolerance.

### NON-IC HOUSING DIMENSIONS 24W-56W



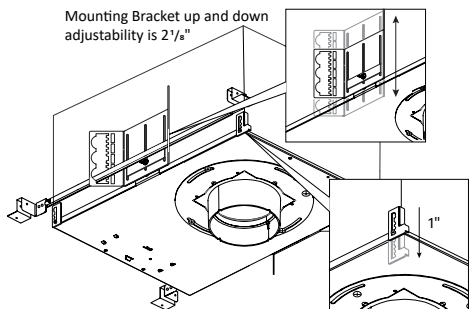
NC - Non-IC New Construction

Universal bar hanger mounts on the length or width side of the fixture; Ceiling mount bracket provides 1" adjustability.



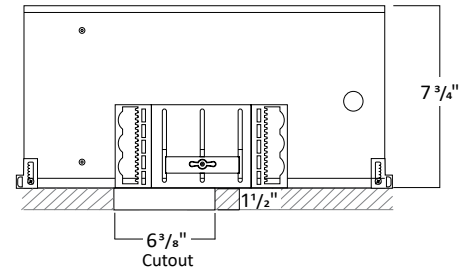
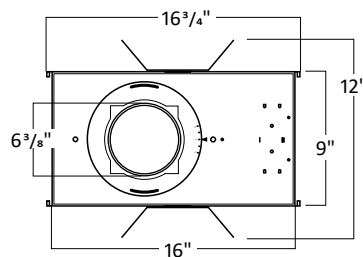
1. 1 1/2" is the standard collar height. Consult factory for Made to Order collar heights.
2. Allow 1/8" tolerance.

### IC HOUSING DIMENSIONS 6W-32W



IC - IC Air-Tight New Construction

Universal bar hanger mounts on the length or width side of the fixture; Ceiling mount bracket provides 1" adjustability.



1. 1 1/2" is the standard collar height. Consult factory for Made to Order collar heights.
2. Allow 1/8" tolerance.

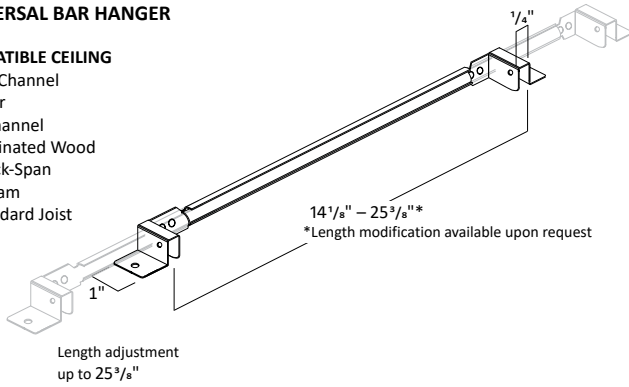
## 6" LED ARCHITECTURAL ROUND FLANGELESS ADJUSTABLE NEW CONSTRUCTION: IC & NON IC

### FRAME ACCESSORIES

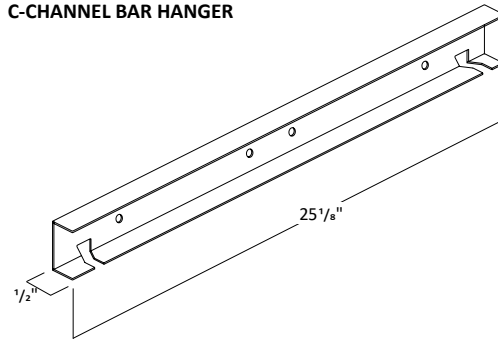
#### UNIVERSAL BAR HANGER

##### COMPATIBLE CEILING

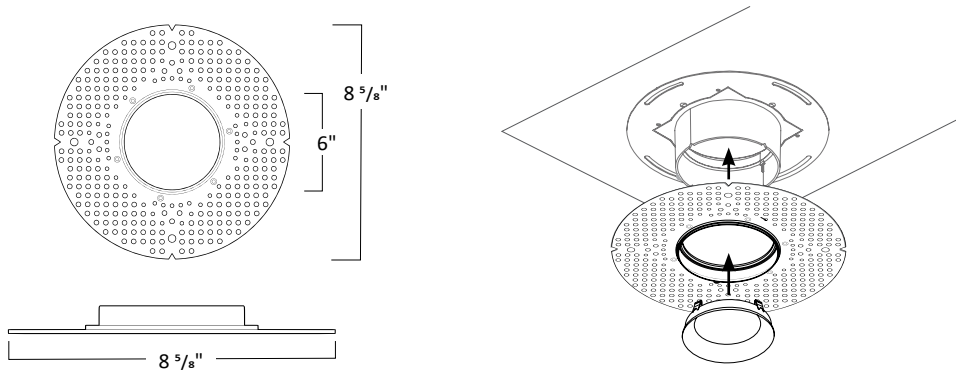
- Hat Channel
- T-Bar
- C-Channel
- Laminated Wood
- Quick-Span
- I-Beam
- Standard Joist



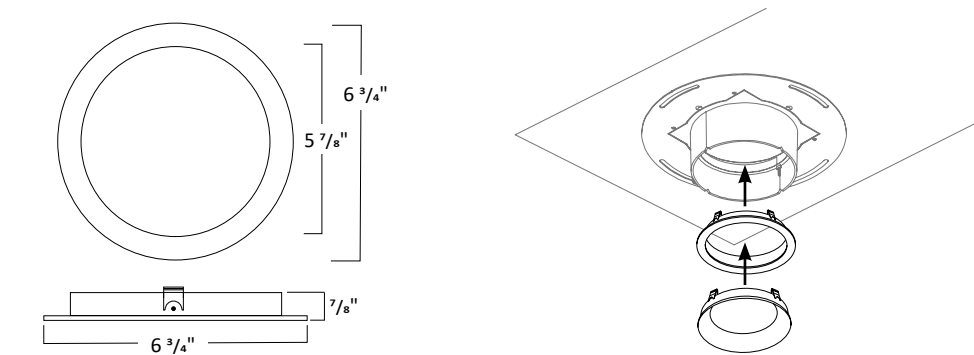
#### C-CHANNEL BAR HANGER



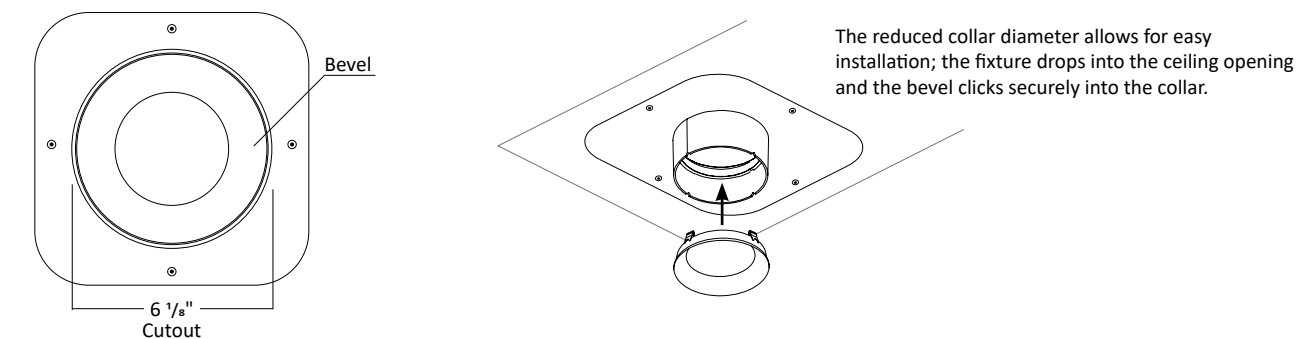
### FLANGELESS PLASTER (LPR)



### FLANGELESS MILLWORK WITH ADAPTER (LAMR)

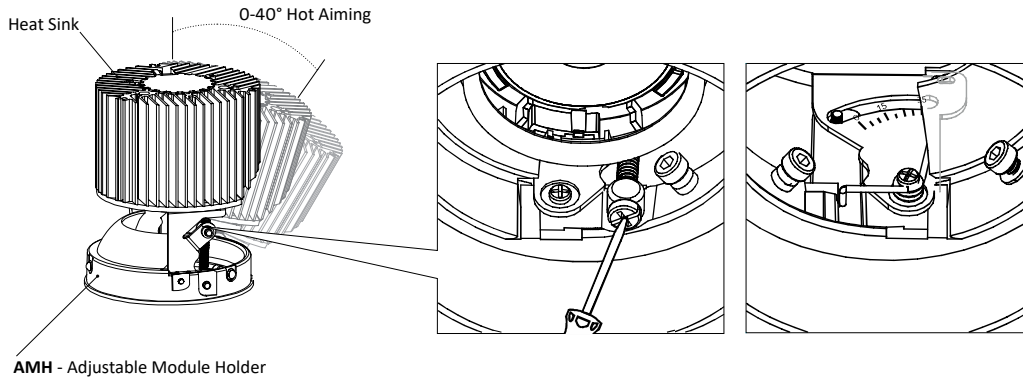


### FLANGELESS MILLWORK WITH DEDICATED COLLAR (LDMR)

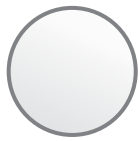


## 6" LED ARCHITECTURAL ROUND FLANGELESS ADJUSTABLE NEW CONSTRUCTION: IC & NON IC

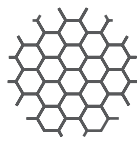
### LED MODULE



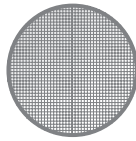
### FILTERS



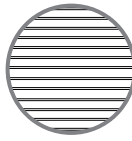
Frosted Filter



Honey Comb

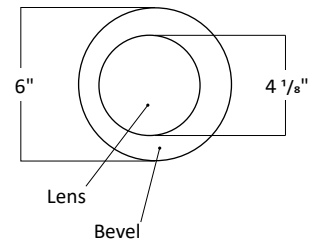
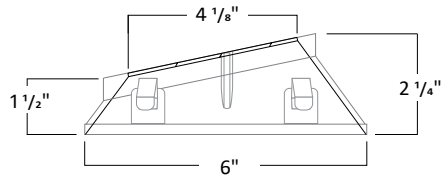
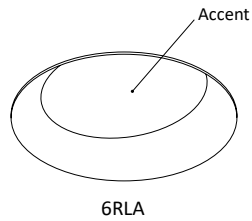
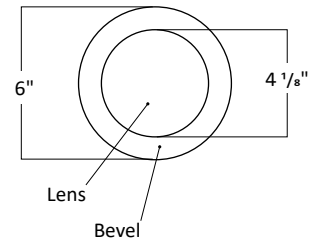
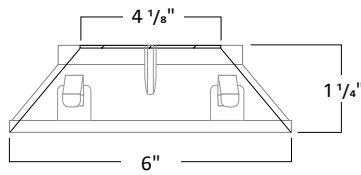
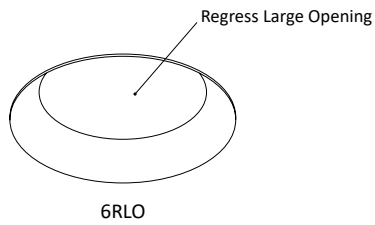


Solite Filter

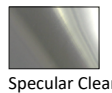


Linear Filter

### TRIM DIMENSIONS



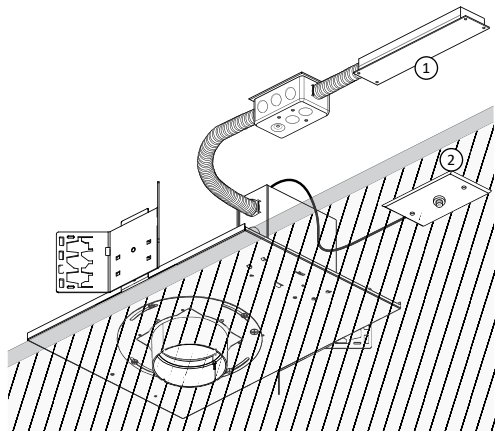
### TRIM FINISH



\*Consult Factory for Made to Order Finishes

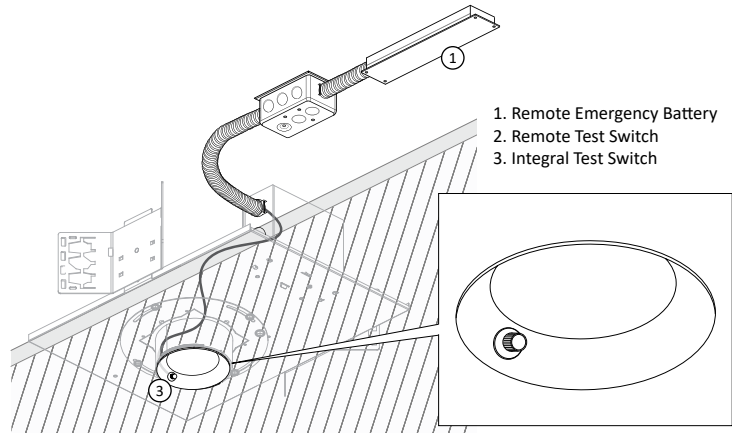
## 6" LED ARCHITECTURAL ROUND FLANGELESS ADJUSTABLE NEW CONSTRUCTION: IC & NON IC

### REMOTE EMERGENCY BATTERY: NON-IC NEW CONSTRUCTION HOUSING



NC - Non-IC New Construction

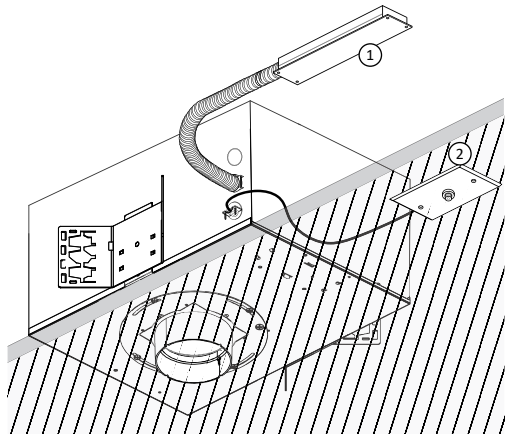
**ER8W** and **ER15W** is an 8W and 15W Emergency Battery that is remote to the fixture with a remote test switch. The EM unit is accessible from below the ceiling for replacement purposes.



NC - Non-IC New Construction

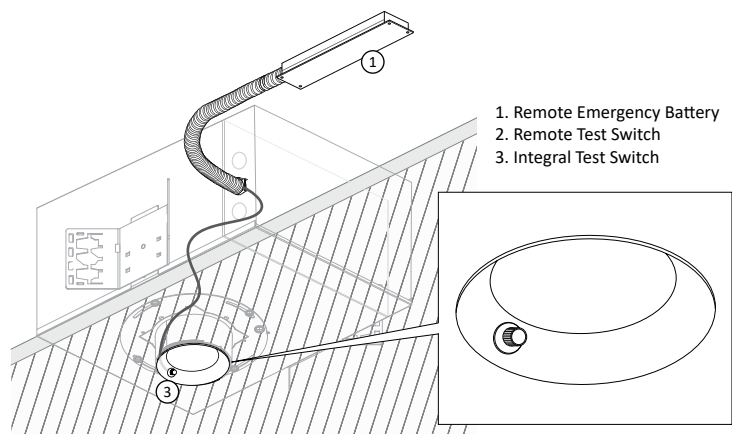
**EI8W** and **EI15W** is an 8W and 15W Emergency Battery that is remote to the fixture with an integral test switch. The EM unit is accessible from below the ceiling for replacement purposes.

### REMOTE EMERGENCY BATTERY: IC NEW CONSTRUCTION HOUSING



IC - IC Air-Tight New Construction

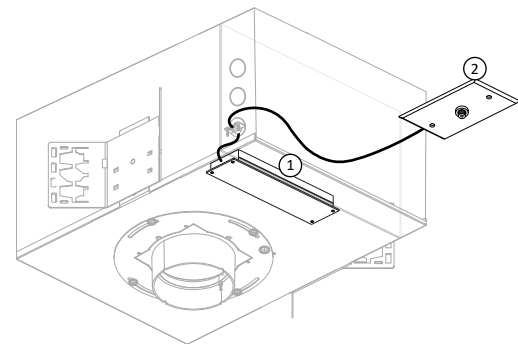
**ER8W** and **ER15W** is an 8W and 15W Emergency Battery that is remote to the fixture with a remote test switch. Ceiling access is required for replacement purposes.



IC - IC Air-Tight New Construction

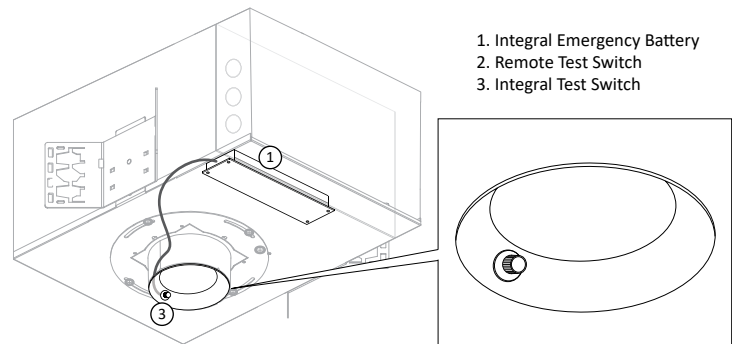
**EI8W** and **EI15W** is an 8W and 15W Emergency Battery that is remote to the fixture with an integral test switch. Ceiling access is required for replacement purposes.

### INTEGRAL EMERGENCY BATTERY: IC NEW CONSTRUCTION HOUSING



IC - IC Air-Tight New Construction

**ER4W** is a 4W Emergency Battery that is integral to the fixture with an remote test switch. The EM unit is accessible from below the ceiling for replacement purposes.



IC - IC Air-Tight New Construction

**EI4W** is a 4W Emergency Battery that is integral to the fixture with an integral test switch. The EM unit is accessible from below the ceiling for replacement purposes.

\*Available in IC housing only