

## 6" LED ARCHITECTURAL ROUND FLANGELESS WALL WASH NEW CONSTRUCTION: IC & NON IC



### GENERAL INFORMATION

#### USE OF PRODUCT

The 6" Prime Wall Wash is the ideal product for architectural energy efficient lighting in commercial and residential applications. Available in die cast trims, with an assortment of optics and dimmable drivers

#### LED ENGINE

LED engine available in 2700K, 3000K, 3500K, or 4000K in standard 90+ CRI. 2-step MacAdam ellipse allows for color consistency between fixtures. The LED is mounted to an aluminum heat sink for maximum life output and thermal management. Light engine provides a quick disconnect with locking strain relief to housing.

#### OPTICAL LENS

Field replaceable optical lenses are available in 15°, 24°, 36°, 50° and 80°. Easily achieve narrow spot to wide flood beam pattern.

#### FRAME CONSTRUCTION

IC and Non-IC rated housing are constructed from a 16-gauge heavy-duty, powder-coated cold-rolled steel frame and includes a junction box with ½" knockouts. Butterfly brackets (included) accommodate universal or C-channel hangers (order separately).

#### ADJUSTMENT

- Light engine locked at 25° tilt, consult factory for other tilt setting.
- Housing supports 359° locking rotation.
- Aperture collar compatible up to 1½" ceiling thickness.
- Accommodation for 2" or 3" ceiling thickness available upon request.

#### DIMMING

Available in nine driver selections. (ID) Standard all-inclusive ELV (120V), Triac (120V), and 0-10V (120-277V) dimming driver called Intelligent Drive, (EEI) eldoLED 1% Dim 0-10V, (EES) eldoLED 1% Dim 0-10V (120-277V) and Triac (120V), Max 20W, (EDIO) eldoLED 0.1 Dim 0-10V, (EDID) eldoLED 0.1% Dim DALI, (EDD) eldoLED 1% Dim DALI2, (LDE1) Lutron Hi-Lume 1% Ecosystem with Soft-on, Fade-to-Black Dimming, (L3DA) Hi-Lume 1% Ecosystem/3-Wire L3D Driver, (PEQO) Lutron Hi-Lume Premier Ecosystem 0.1% with Soft-on, Fade-to-Black Dimming.

#### BEVEL

Bevel includes standard frosted acrylic diffuser. Remove standard frosted acrylic diffuser in field for 7% lumens increase. Consult factory for made-to-order finishes. Wet location for bathrooms and showers with standard lens on trim.

#### EMERGENCY BATTERY

Optional Emergency Battery (EM) available in 4W (~400 lm), 8W (~800 lm), or 15W (~1,500 lm) available for a minimum of 90 minutes. Please review page 7 for integral or remote EM and test switch options with solutions that allow for EM replacement from below the ceiling.

#### LABELS/COMPLIANCE/WARRANTY

- CSA listed for US and Canada
- Energy Star certified product
- Dry/Damp/Wet location rated
- State of California Title 24 and JA8 compliant
- Chicago Plenum with IC Housing
- 5-year limited warranty



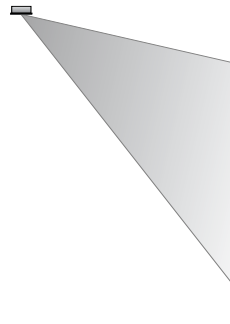
### GENERAL PERFORMANCE CHART

\*Detailed performance chart may be found on page 3

	6W	9W	12W	15W	20W	24W	28W	32W
<b>Initial Lumens</b>	955	1296	1618	2015	2422	2799	3128	3405
<b>Delivered Lumens</b>	469-690	640-947	800-1170	974-1423	1186-1728	1391-2041	1598-2351	1819-2686

\* Values are listed at 3000K, 90+ CRI with a white bevel & trim.  
Delivered lumens range based on beam spread.  
Performance may vary +/- 5%

### BEAM SPREAD



Field replaceable TIR optics

### PRIME FAMILY OF PRODUCTS



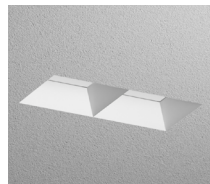
Downlight



TechZone®



WoodWorks®



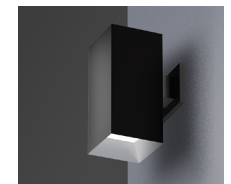
Multiple Dedicated Bevel



Multiple Open Bevel



Cylinder



Square Luminaire

## 6" LED ARCHITECTURAL ROUND FLANGELESS WALL WASH NEW CONSTRUCTION: IC & NON IC

### ORDERING INFORMATION

Series	Wattage	Dimming	Color Temperature	Optical Lens
RPA6	<b>6W</b> - 6 Watt <b>9W</b> - 9 Watt <b>12W</b> - 12 Watt <b>15W</b> - 15 Watt <b>20W</b> - 20 Watt <b>24W</b> - 24 Watt <b>28W</b> - 28 Watt <b>32W</b> - 32 Watt	<b>ID<sup>1</sup></b> - Standard All-Inclusive ELV, Triac, and 0-10V Dimming Driver (Intelligent Drive) <b>EEl<sup>2</sup></b> - eldoLED 1% Dim (0-10V) <b>EEIS<sup>3</sup></b> - eldoLED 1% Dim 0-10V (120-277V), Triac (120V), Max 20W <b>EDIO<sup>2</sup></b> - eldoLED 0.1% Dim (0-10V) <b>EDID<sup>2</sup></b> - eldoLED 0.1% Dim (DALI) <b>EDD<sup>2</sup></b> - eldoLED 1% Dim (DALI2) <b>LDE1<sup>4</sup></b> - Lutron Hi-Lume 1% Ecosystem with Soft-on, Fade-to-Black Dimming <b>L3DA<sup>4</sup></b> - Hi-Lume 1% Ecosystem/3-Wire L3D Driver <b>PEQO</b> - Lutron Hi-Lume Premier Ecosystem 0.1% with Soft-on, Fade-to-Black Dimming	<b>27K</b> - 2700K <b>30K</b> - 3000K <b>35K</b> - 3500K <b>40K</b> - 4000K	<b>15</b> - 15° <b>24</b> - 24° <b>36</b> - 36° <b>50</b> - 50° <b>80</b> - 80°

Housing Type	Collar	Module Type	Trim Style	Frame Accessories
<b>IC</b> - IC Air-Tight New Construction <b>NC</b> - Non-IC New Construction	<b>CR15<sup>5</sup></b> - 1.5" Depth <b>CR20</b> - 2.0" Depth <b>CR25</b> - 2.5" Depth <b>MTO</b> - Made To Order	<b>AMHW</b> - Wall Wash	<b>LPR</b> - Flangeless Plaster <b>LAMR</b> - Flangeless Millwork with Adapter <b>LDMR</b> - Flangeless Millwork with Dedicated Collar	<b>UH</b> - Universal Bar Hanger <b>C</b> - C-Channel Bar Hanger

Options	Wireless Controls	Notes
<b>ER4W<sup>6</sup></b> - Emergency Battery with Remote Switch (400 lm) <b>EI4W<sup>6</sup></b> - Emergency Battery with Integral Switch (400 lm) <b>ER8W<sup>7</sup></b> - Emergency Battery with Remote Switch (800 lm) <b>EI8W<sup>7</sup></b> - Emergency Battery with Integral Switch (800 lm) <b>ER15W<sup>7</sup></b> - Emergency Battery with Remote Switch (1,500 lm) <b>EI15W<sup>7</sup></b> - Emergency Battery with Integral Switch (1,500 lm) <b>347V</b> - 347V Step down transformer <b>CP<sup>8</sup></b> - Chicago Plenum	<b>AWN</b> - Athena Wireless (Lutron) <b>CLM</b> - Connected Lighting Module (Legrand Wattstopper)	1. Intelligent Drive is the standard driver. 2. Must specify logarithmic or linear eldoLED diver. 3. Driver available up to 20W and programmed only in linear mode. 4. Not offered in 6W. 5. Standard collar height. 6. Available in IC housing only. 7. Ceiling access is required for IC housing to replace the EM unit. 8. Requires IC housing.

### TRIM ORDERING INFORMATION

Bevel Finish	Bevel
<b>6" Round Flangeless Accent</b>	<b>6RLAW</b> - White bevel <b>6RLAH</b> - Haze bevel <b>6RLAWE</b> - Wheat bevel <b>6RLAS</b> - Specular clear bevel <b>6RLAB</b> - Black bevel <b>6RLAMTO</b> - Made to order

6" LED ARCHITECTURAL ROUND FLANGELESS WALL WASH  
NEW CONSTRUCTION: IC & NON IC

## PERFORMANCE CHART

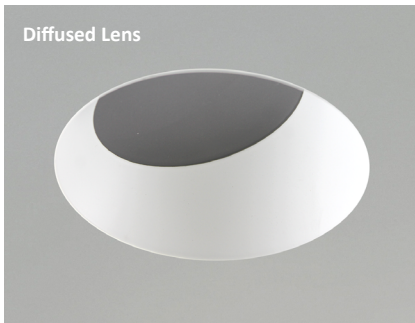
Optics		15°	24°	36°	50°	80°
6W	Initial Lumens	995	955	955	955	955
	Delivered Lumens	665	690	686	592	469
9W	Initial Lumens	1296	1296	1296	1296	1296
	Delivered Lumens	905	947	933	804	640
12W	Initial Lumens	1618	1618	1618	1618	1618
	Delivered Lumens	1134	1170	1169	1007	800
15W	Initial Lumens	2015	2015	2015	2015	2015
	Delivered Lumens	1381	1423	1422	1223	974
20W	Initial Lumens	2422	2422	2422	2422	2422
	Delivered Lumens	1681	1728	1727	1485	1186
24W	Initial Lumens	2799	2799	2799	2799	2799
	Delivered Lumens	1969	2039	2041	1736	1391
28W	Initial Lumens	3128	3128	3128	3128	3128
	Delivered Lumens	2260	2341	2351	1983	1598
32W	Initial Lumens	3405	3405	3405	3405	3405
	Delivered Lumens	2578	2667	2686	2239	1819

\* Values are listed at 3000K, 90+ CRI with a white bevel & trim.

## COLOR TEMPERATURE MULTIPLIER FOR DELIVERED LUMENS

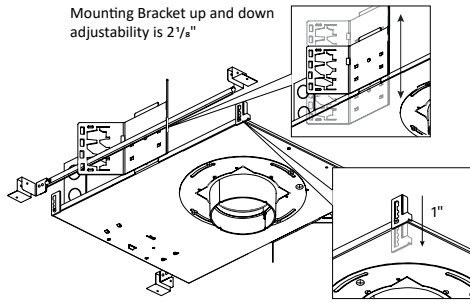
2700K	3000K	3500K	4000K
0.95	1.00	1.04	1.07

## 6RLA ACCENT



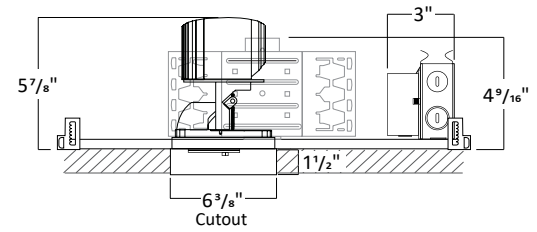
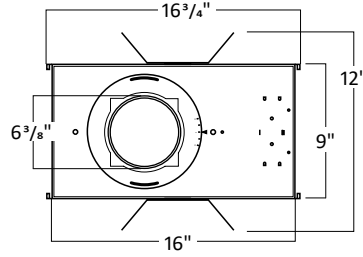
## 6" LED ARCHITECTURAL ROUND FLANGELESS WALL WASH NEW CONSTRUCTION: IC & NON IC

### NON-IC HOUSING DIMENSIONS 6W-20W



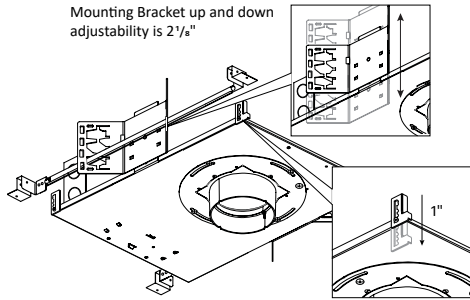
NC - Non-IC New Construction

Universal bar hanger mounts on the length or width side of the fixture; Ceiling mount bracket provides 1" adjustability.



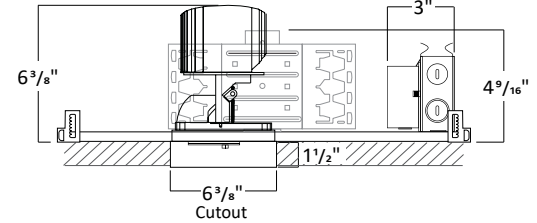
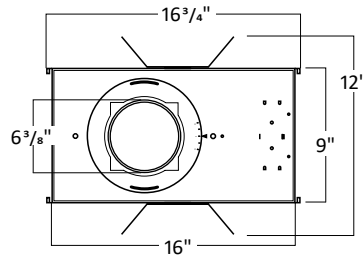
1. 1 1/2" is the standard collar height. Consult factory for Made to Order collar heights.
2. Allow 1/8" tolerance.

### NON-IC HOUSING DIMENSIONS 24W-32W



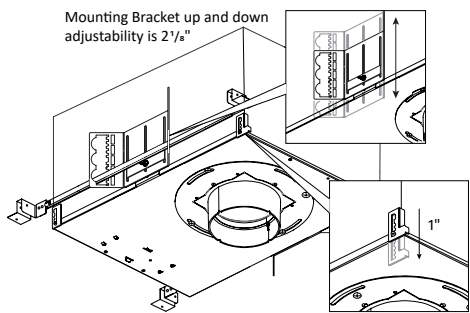
NC - Non-IC New Construction

Universal bar hanger mounts on the length or width side of the fixture; Ceiling mount bracket provides 1" adjustability.



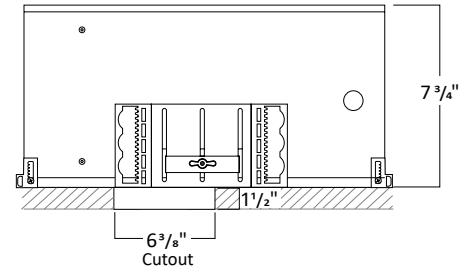
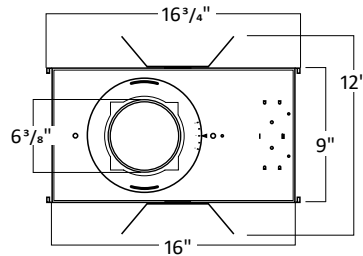
1. 1 1/2" is the standard collar height. Consult factory for Made to Order collar heights.
2. Allow 1/8" tolerance.

### IC HOUSING DIMENSIONS 6W-32W



IC - IC Air-Tight New Construction

Universal bar hanger mounts on the length or width side of the fixture; Ceiling mount bracket provides 1" adjustability.



1. 1 1/2" is the standard collar height. Consult factory for Made to Order collar heights.
2. Allow 1/8" tolerance.

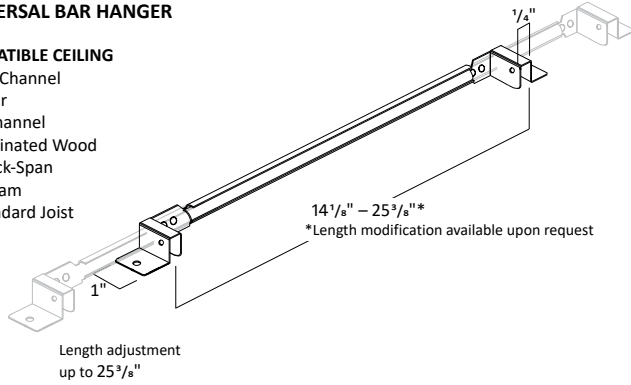
## 6" LED ARCHITECTURAL ROUND FLANGELESS WALL WASH NEW CONSTRUCTION: IC & NON IC

### FRAME ACCESSORIES

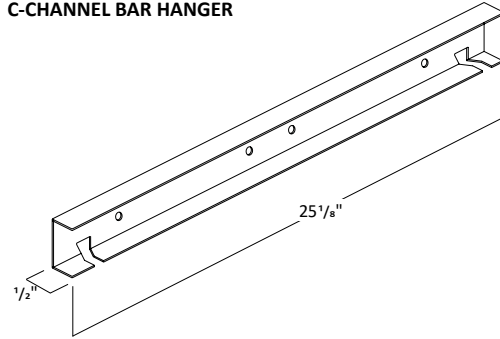
#### UNIVERSAL BAR HANGER

##### COMPATIBLE CEILING

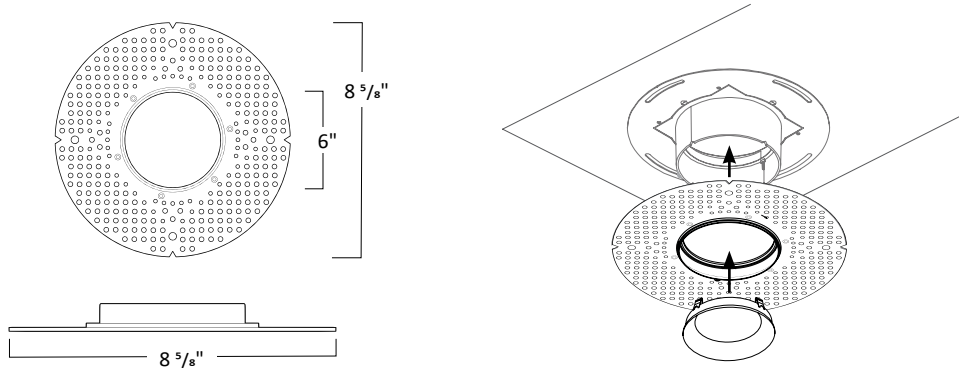
- Hat Channel
- T-Bar
- C-Channel
- Laminated Wood
- Quick-Span
- I-Beam
- Standard Joist



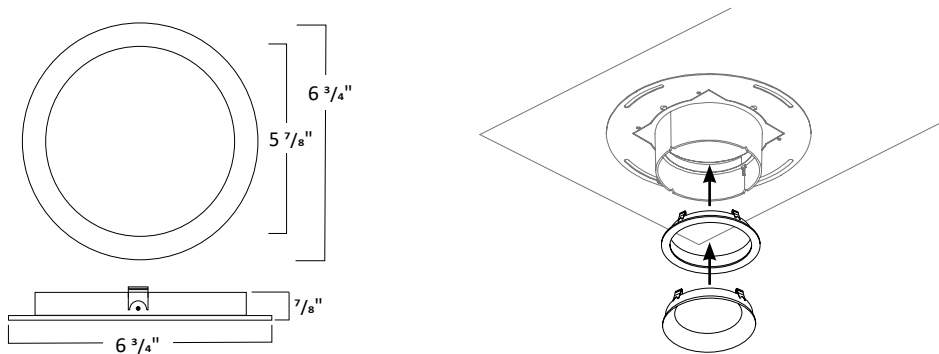
#### C-CHANNEL BAR HANGER



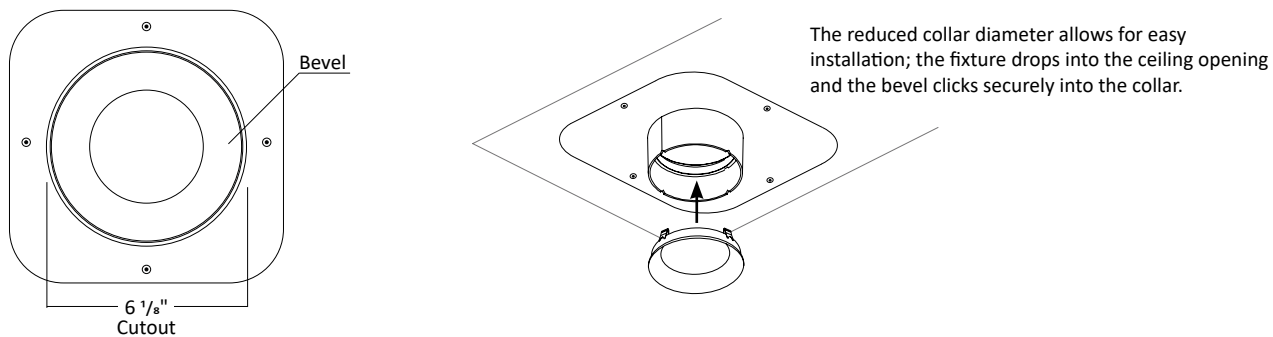
### FLANGELESS PLASTER (LPR)



### FLANGELESS MILLWORK WITH ADAPTER (LAMR)

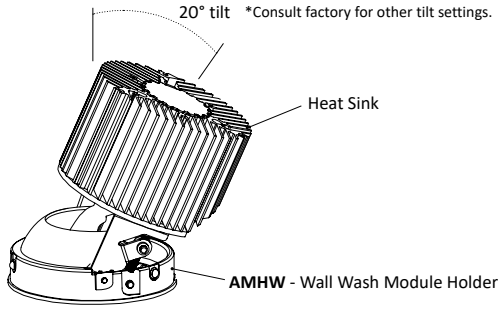


### FLANGELESS MILLWORK WITH DEDICATED COLLAR (LDMR)

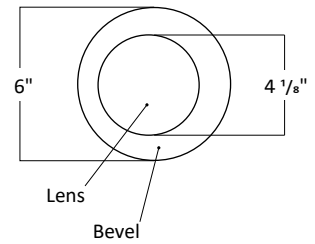
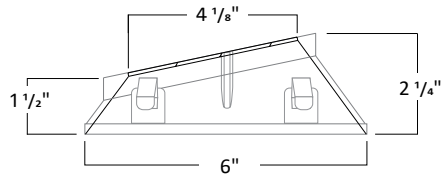
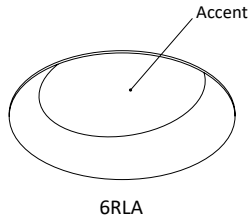


## 6" LED ARCHITECTURAL ROUND FLANGELESS WALL WASH NEW CONSTRUCTION: IC & NON IC

### LED MODULE



### TRIM DIMENSIONS



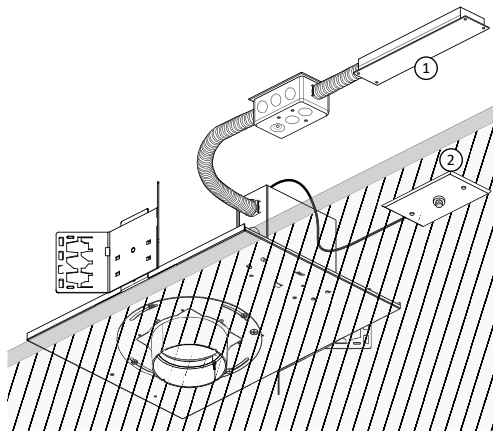
### TRIM FINISH



\*Consult Factory for Made to Order Finishes

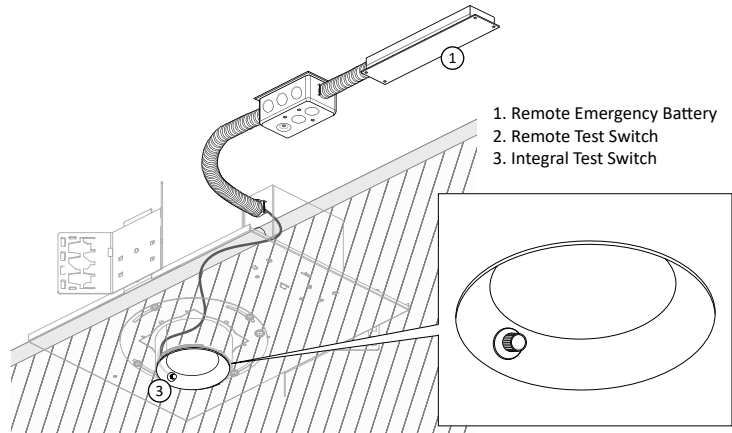
## 6" LED ARCHITECTURAL ROUND FLANGELESS WALL WASH NEW CONSTRUCTION: IC & NON IC

### REMOTE EMERGENCY BATTERY: NON-IC NEW CONSTRUCTION HOUSING



NC - Non-IC New Construction

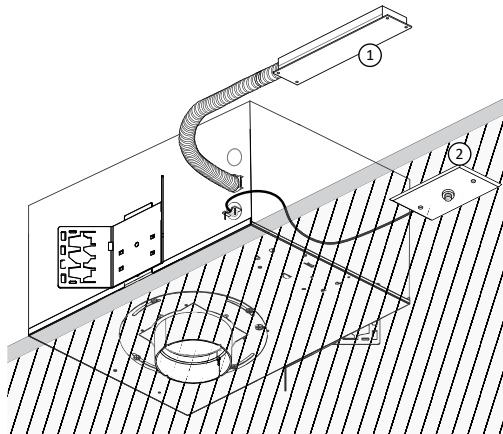
**ER8W** and **ER15W** is an 8W and 15W Emergency Battery that is remote to the fixture with a remote test switch. The EM unit is accessible from below the ceiling for replacement purposes.



NC - Non-IC New Construction

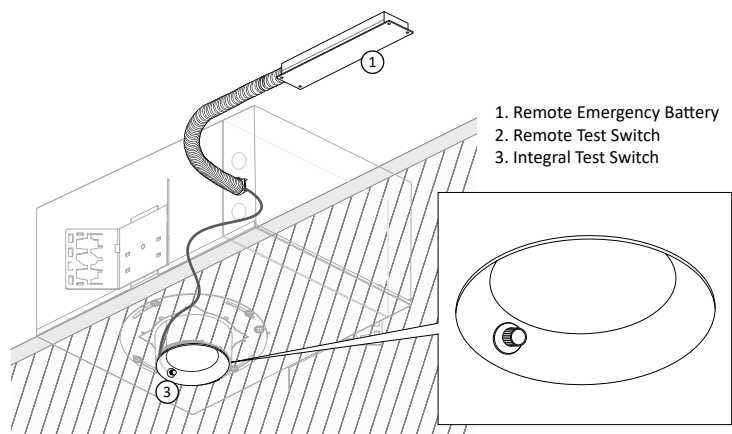
**EI8W** and **EI15W** is an 8W and 15W Emergency Battery that is remote to the fixture with an integral test switch. The EM unit is accessible from below the ceiling for replacement purposes.

### REMOTE EMERGENCY BATTERY: IC NEW CONSTRUCTION HOUSING



IC - IC Air-Tight New Construction

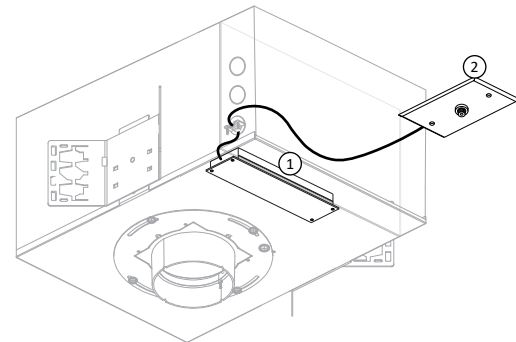
**ER8W** and **ER15W** is an 8W and 15W Emergency Battery that is remote to the fixture with a remote test switch. Ceiling access is required for replacement purposes.



IC - IC Air-Tight New Construction

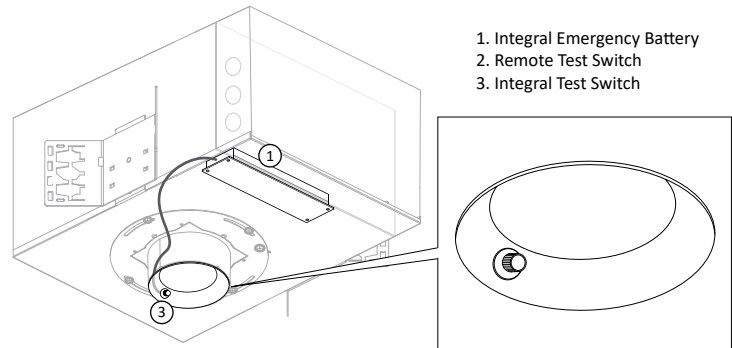
**EI8W** and **EI15W** is an 8W and 15W Emergency Battery that is remote to the fixture with an integral test switch. Ceiling access is required for replacement purposes.

### INTEGRAL EMERGENCY BATTERY: IC NEW CONSTRUCTION HOUSING



IC - IC Air-Tight New Construction

**ER4W** is an 4W Emergency Battery that is integral to the fixture with an remote test switch. The EM unit is accessible from below the ceiling for replacement purposes.



IC - IC Air-Tight New Construction

**EI4W** is an 4W Emergency Battery that is integral to the fixture with an integral test switch. The EM unit is accessible from below the ceiling for replacement purposes.

\*Available in IC housing only