

## 6" LED ARCHITECTURAL SQUARE FLANGE DOWNLIGHT NEW CONSTRUCTION: IC & NON IC



### GENERAL INFORMATION

#### USE OF PRODUCT

The 6" Prime Downlight is the ideal product for architectural energy efficient lighting in commercial and residential applications. Available in die cast trims, with an assortment of optics and dimmable drivers

#### LED ENGINE

LED engine available in 2700K, 3000K, 3500K, or 4000K in standard 90+ CRI. 2-step MacAdam ellipse allows for color consistency between fixtures. The LED is mounted to an aluminum heat sink for maximum life output and thermal management. Light engine provides a quick disconnect with locking strain relief to housing.

#### OPTICAL LENS

Field replaceable optical lenses are available in 15°, 24°, 30°, 35°, 40°, 50° and 75°. Easily achieve narrow spot to wide flood beam pattern.

#### FRAME CONSTRUCTION

IC and Non-IC rated housing are constructed from a 16-gauge heavy-duty, powder-coated cold-rolled steel frame and includes a junction box with 1/2" knockouts. Butterfly brackets (included) accommodate universal or C-channel hangers (order separately).

#### ADJUSTMENT

- Housing supports 359° locking rotation.
- Aperture collar compatible up to 1 1/2" ceiling thickness.
- Accommodation for 2" or 3" ceiling thickness available upon request.

#### DIMMING

Available in nine driver selections. (ID) Standard all-inclusive ELV (120V), Triac (120V), and 0-10V (120-277V) dimming driver called Intelligent Drive, (EEI) eldoLED 1% Dim 0-10V, (EES) eldoLED 1% Dim 0-10V (120-277V) and Triac (120V), Max 20W, (EDIO) eldoLED 0.1 Dim 0-10V, (EDID) eldoLED 0.1% Dim DALI, (EDD) eldoLED 1% Dim DALI2, (LDE1) Lutron Hi-Lume 1% Ecosystem with Soft-on, Fade-to-Black Dimming, (L3DA) Hi-Lume 1% Ecosystem/3-Wire L3D Driver, (PEQO) Lutron Hi-Lume Premier Ecosystem 0.1% with Soft-on, Fade-to-Black Dimming.

#### TRIM

Flange trims available in die-cast or anodized aluminum. Trim includes standard frosted acrylic diffuser. Remove standard frosted acrylic diffuser in field for 7% lumens increase. Consult factory for made-to-order finishes. Wet location for bathrooms and showers with standard lens on trim.

#### EMERGENCY BATTERY

Optional Emergency Battery (EM) available in 4W (≈400 lm), 8W (≈800 lm), or 15W (≈1,500 lm) available for a minimum of 90 minutes. Please review page 6 for integral or remote EM and test switch options with solutions that allow for EM replacement from below the ceiling.

#### LABELS/COMPLIANCE/WARRANTY

- CSA listed for US and Canada
- Energy Star certified product
- Dry/Damp/Wet location rated
- State of California Title 24 and JA8 compliant
- Chicago Plenum with IC Housing
- 5-year limited warranty



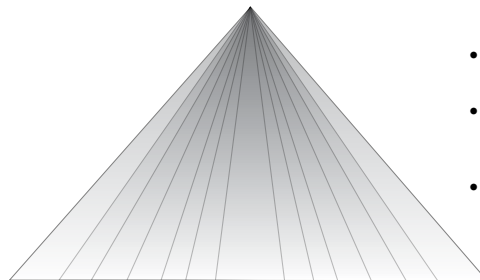
### GENERAL PERFORMANCE CHART

\*Detailed performance chart may be found on page 3

|                         | 6W      | 9W       | 12W       | 15W       | 20W       | 24W       | 28W       | 32W       | 33W       | 35W       | 40W       | 48W       | 56W       |
|-------------------------|---------|----------|-----------|-----------|-----------|-----------|-----------|-----------|-----------|-----------|-----------|-----------|-----------|
| <b>Initial Lumens</b>   | 955     | 1296     | 1618      | 2015      | 2422      | 2799      | 3128      | 3405      | 4090      | 4626      | 4967      | 5786      | 6472      |
| <b>Delivered Lumens</b> | 703-831 | 962-1138 | 1217-1436 | 1477-1740 | 1797-2124 | 2094-2496 | 2369-2870 | 2610-3209 | 2948-3430 | 3267-3787 | 3571-4158 | 4149-4885 | 4668-6472 |

\* Values are listed at 3000K, 90+ CRI with a white bevel & trim.  
Delivered lumens range based on beam spread.  
Performance may vary +/- 5%

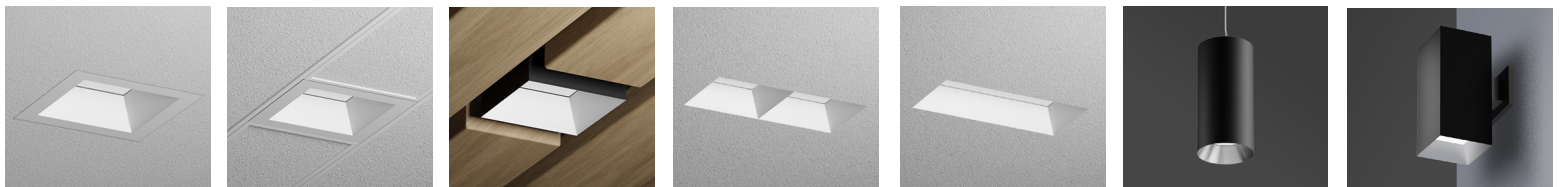
### BEAM SPREAD



Available optics: 15° 24° 30° 35° 40° 50° 75°

- Field replaceable TIR optics
- Easily achieve narrow spot to wide flood beam pattern
- Optional filters available upon request

### PRIME FAMILY OF PRODUCTS



Downlight

TechZone®

WoodWorks®

Multiple Dedicated Bevel

Multiple Open Bevel

Cylinder

Square Luminaire

## 6" LED ARCHITECTURAL SQUARE FLANGE DOWNLIGHT NEW CONSTRUCTION: IC & NON IC

### ORDERING INFORMATION

| Series | Wattage  | Dimming   | Color Temperature  | Optical Lens   | Filter   |
|--------|--|---|--|--|--|
| RPA6   | 6W - 6 Watt<br>9W - 9 Watt<br>12W - 12 Watt<br>15W - 15 Watt<br>20W - 20 Watt<br>24W - 24 Watt<br>28W - 28 Watt<br>32W - 32 Watt<br>33W <sup>1</sup> - 33 Watt<br>35W <sup>1</sup> - 35 Watt<br>40W <sup>1</sup> - 40 Watt<br>48W <sup>1</sup> - 48 Watt<br>56W <sup>1</sup> - 56 Watt | ID <sup>2</sup> - Standard All-Inclusive ELV, Triac, and 0-10V Dimming Driver (Intelligent Drive)<br>EEI <sup>3</sup> - eldoLED 1% Dim (0-10V)<br>EEIS <sup>4</sup> - eldoLED 1% Dim 0-10V (120-277V), Triac (120V), Max 20W<br>EDIO <sup>3</sup> - eldoLED 0.1% Dim (0-10V)<br>EDID <sup>3</sup> - eldoLED 0.1% Dim (DALI)<br>EDD <sup>3</sup> - eldoLED 1% Dim (DALI2)<br>LDE1 <sup>5</sup> - Lutron Hi-Lume 1% Ecosystem with Soft-on, Fade-to-Black Dimming<br>L3DA <sup>5</sup> - Hi-Lume 1% Ecosystem/3-Wire L3D Driver<br>PEQ0 - Lutron Hi-Lume Premier Ecosystem 0.1% with Soft-on, Fade-to-Black Dimming | 27K - 2700K<br>30K - 3000K<br>35K - 3500K<br>40K - 4000K | 15 <sup>6,7</sup> - 15°<br>24 <sup>7</sup> - 24°<br>30 - 30°<br>35 - 35°<br>40 - 40°<br>50 - 50°<br>75 - 75° | Blank - None<br>F - Frosted Filter<br>H - Honey Comb<br>S - Solite Filter<br>L - Linear Filter |

| Housing Type  | Collar  | Module Type     | Frame Accessories                                     |
|---|---|-----------------|---|
| IC <sup>8</sup> - IC Air-Tight New Construction<br>NC - Non-IC New Construction | CS15 <sup>9</sup> - 1.5" Depth<br>CS20 - 2.0" Depth<br>CS25 - 2.5" Depth<br>MTO - Made To Order | FMH - Downlight | UH - Universal Bar Hanger<br>C - C-Channel Bar Hanger |

#### Options

- ER4W<sup>10</sup> - Emergency Battery with Remote Switch (400 lm)
- EI4W<sup>20</sup> - Emergency Battery with Integral Switch (400 lm)
- ER8W<sup>11</sup> - Emergency Battery with Remote Switch (800 lm)
- EI8W<sup>11</sup> - Emergency Battery with Integral Switch (800 lm)
- ER15W<sup>11</sup> - Emergency Battery with Remote Switch (1,500 lm)
- EI15W<sup>11</sup> - Emergency Battery with Integral Switch (1,500 lm)
- 347V - 347V Step down transformer
- CP<sup>12</sup> - Chicago Plenum

#### Wireless Controls

- AWN - Athena Wireless (Lutron)
- CLM - Connected Lighting Module (Legrand Wattstopper)

#### Notes

1. Not available in IC housing.
2. Intelligent Drive is the standard driver.
3. Must specify logarithmic or linear eldoLED diver.
4. Driver available up to 20W and programmed only in linear mode.
5. Not offered in 6W.
6. Available in 6W-32W only.
7. 15° and 24° spread without lens on trim.
8. Not available in 33W-56W.
9. Standard collar height.
10. Available in IC housing only.
11. Ceiling access is required for IC housing to replace the EM unit.
12. Requires IC housing.

### TRIM ORDERING INFORMATION

| Bevel / Flange Finish (one piece)      | Trim Type | Bevel / Flange finish   |
|--|-----------|---|
| 6" Square Flange Regress Large Opening |           | 6SFOW-W - White bevel / white flange<br>6SFOH-W - Haze bevel / white flange<br>6SFOB-B - Black bevel / black flange<br>6SFOH-H - Haze bevel / haze flange<br>6SFOS-S - Specular clear bevel / specular clear flange<br>6SFOS-W - Specular clear bevel / white flange<br>6SFOWE-WE - Wheat bevel / wheat flange<br>6SFOMTO - Made to order |

## 6" LED ARCHITECTURAL SQUARE FLANGE DOWNLIGHT NEW CONSTRUCTION: IC & NON IC

### PERFORMANCE CHART

| Optics |                  | <sup>1,2</sup> 15° | <sup>2</sup> 24° | 30°  | 35°  | 40°  | 50°  | 75°  |
|--------|------------------|--------------------|------------------|------|------|------|------|------|
| 6W     | Initial Lumens   | 955                | 955              | 955  | 955  | 955  | 955  | 955  |
|        | Delivered Lumens | 813                | 831              | 782  | 806  | 811  | 764  | 703  |
|        | UGR              |                    |                  | 10.1 | 9.8  | 11.6 | 15.6 | 19   |
| 9W     | Initial Lumens   | 1296               | 1296             | 1296 | 1296 | 1296 | 1296 | 1296 |
|        | Delivered Lumens | 1109               | 1138             | 1066 | 1107 | 1108 | 1033 | 962  |
|        | UGR              |                    |                  | 11.6 | 11.2 | 12.9 | 17   | 20.4 |
| 12W    | Initial Lumens   | 1618               | 1618             | 1618 | 1618 | 1618 | 1618 | 1618 |
|        | Delivered Lumens | 1400               | 1436             | 1338 | 1404 | 1390 | 1288 | 1217 |
|        | UGR              |                    |                  | 12.2 | 11.8 | 13.6 | 17.5 | 21   |
| 15W    | Initial Lumens   | 2015               | 2015             | 2015 | 2015 | 2015 | 2015 | 2015 |
|        | Delivered Lumens | 1712               | 1740             | 1631 | 1682 | 1669 | 1537 | 1477 |
|        | UGR              |                    |                  | 12.9 | 12.5 | 14.3 | 18.3 | 21.7 |
| 20W    | Initial Lumens   | 2422               | 2422             | 2422 | 2422 | 2422 | 2422 | 2422 |
|        | Delivered Lumens | 2080               | 2124             | 1962 | 2044 | 2032 | 1868 | 1797 |
|        | UGR              |                    |                  | 13.6 | 13.2 | 15   | 19   | 22.4 |
| 24W    | Initial Lumens   | 2799               | 2799             | 2799 | 2799 | 2799 | 2799 | 2799 |
|        | Delivered Lumens | 2421               | 2496             | 2285 | 2378 | 2369 | 2175 | 2094 |
|        | UGR              |                    |                  | 14.1 | 13.7 | 15.5 | 19.5 | 23   |
| 28W    | Initial Lumens   | 3128               | 3128             | 3128 | 3128 | 3128 | 3128 | 3128 |
|        | Delivered Lumens | 2763               | 2870             | 2586 | 2682 | 2677 | 2454 | 2369 |
|        | UGR              |                    |                  | 14.6 | 14.1 | 16   | 19.9 | 23.4 |
| 32W    | Initial Lumens   | 3405               | 3405             | 3405 | 3405 | 3405 | 3405 | 3405 |
|        | Delivered Lumens | 3042               | 3209             | 2841 | 2955 | 2950 | 2702 | 2610 |
|        | UGR              |                    |                  | 14.9 | 14.5 | 16.3 | 20.2 | 23.7 |
| 33W    | Initial Lumens   |                    | 4090             |      | 4090 | 4090 | 4090 | 4090 |
|        | Delivered Lumens |                    | 3413             |      | 3312 | 3430 | 3352 | 2948 |
|        | UGR              |                    |                  |      | 17.7 | 17.5 | 19   | 24.4 |
| 35W    | Initial Lumens   |                    | 4626             |      | 4626 | 4626 | 4626 | 4626 |
|        | Delivered Lumens |                    | 3787             |      | 3604 | 3787 | 3722 | 3267 |
|        | UGR              |                    |                  |      | 18   | 17.8 | 19.4 | 24.8 |
| 40W    | Initial Lumens   |                    | 4967             |      | 4967 | 4967 | 4967 | 4967 |
|        | Delivered Lumens |                    | 4158             |      | 3938 | 4127 | 4075 | 3571 |
|        | UGR              |                    |                  |      | 18.3 | 18.2 | 19.7 | 25.1 |
| 48W    | Initial Lumens   |                    | 5765             |      | 5765 | 5765 | 5765 | 5765 |
|        | Delivered Lumens |                    | 4885             |      | 4577 | 4787 | 4740 | 4149 |
|        | UGR              |                    |                  |      | 18.8 | 18.7 | 20.2 | 25.6 |
| 56W    | Initial Lumens   |                    | 6472             |      | 6472 | 6472 | 6472 | 6472 |
|        | Delivered Lumens |                    | 5619             |      | 5146 | 5378 | 5337 | 4668 |
|        | UGR              |                    |                  |      | 19.2 | 19.1 | 20.6 | 26   |

\* Values are listed at 3000K, 90+ CRI with a white bevel & trim.

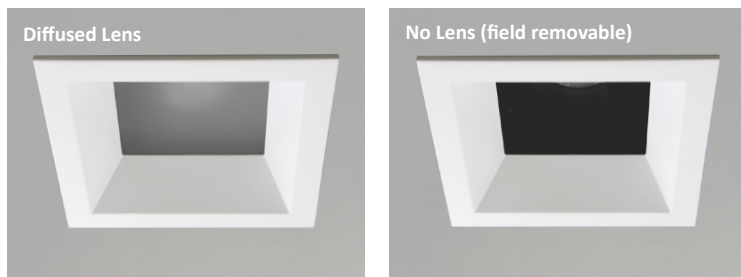
#### Notes

1. Available in 6W-32W only
2. 15° and 24° spread without lens on trim

### COLOR TEMPERATURE MULTIPLIER FOR DELIVERED LUMENS

| 2700K | 3000K | 3500K | 4000K |
|-------|-------|-------|-------|
| 0.95  | 1.00  | 1.04  | 1.07  |

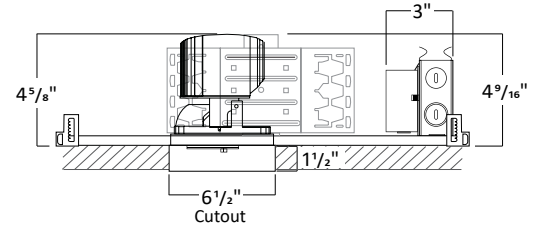
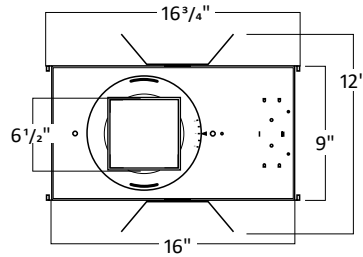
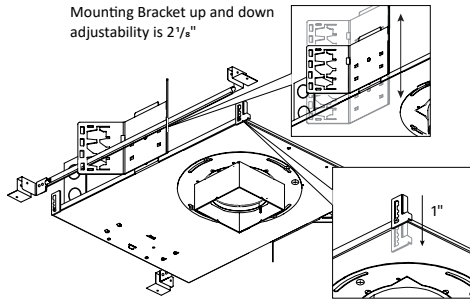
### 6SFO REGRESS LARGE OPENING



- IES files are based on the large opening trim with diffused lens.
- Not suitable for wet locations
- Increase in lumens by approximately 7%

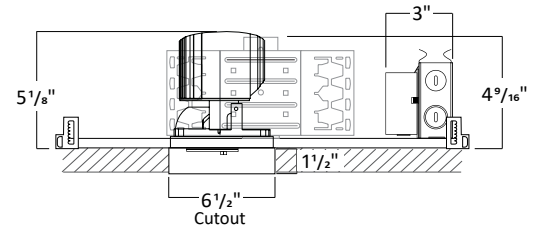
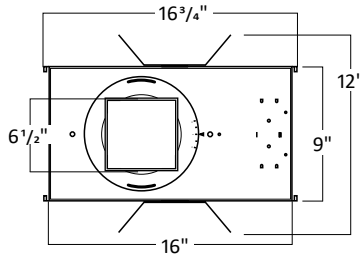
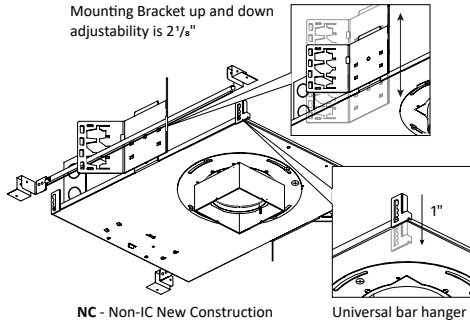
## 6" LED ARCHITECTURAL SQUARE FLANGE DOWNLIGHT NEW CONSTRUCTION: IC & NON IC

### NON-IC HOUSING DIMENSIONS 6W-20W



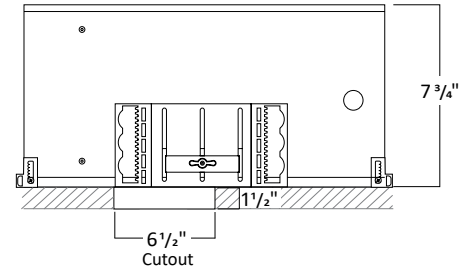
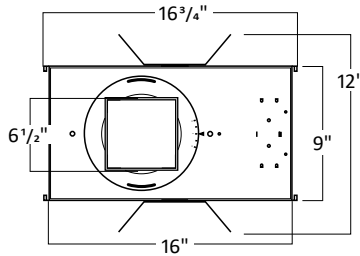
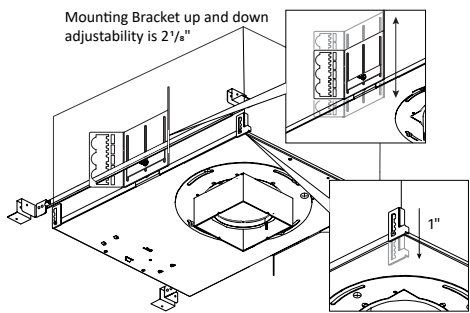
- 1 1/2" is the standard collar height. Consult factory for Made to Order collar heights.
- Allow 1/8" tolerance.

### NON-IC HOUSING DIMENSIONS 24W-56W



- 1 1/2" is the standard collar height. Consult factory for Made to Order collar heights.
- Allow 1/8" tolerance.

### IC HOUSING DIMENSIONS 6W-32W



- 1 1/2" is the standard collar height. Consult factory for Made to Order collar heights.
- Allow 1/8" tolerance.

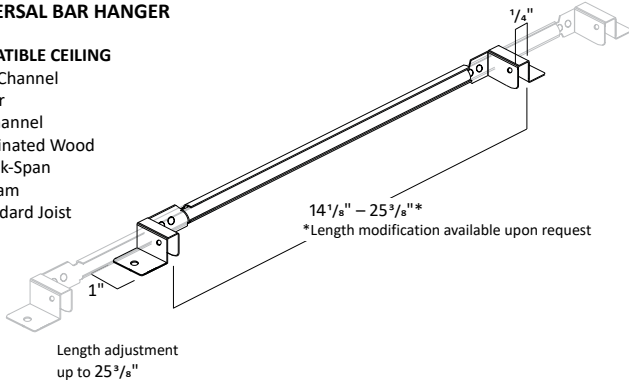
## 6" LED ARCHITECTURAL SQUARE FLANGE DOWNLIGHT NEW CONSTRUCTION: IC & NON IC

### FRAME ACCESSORIES

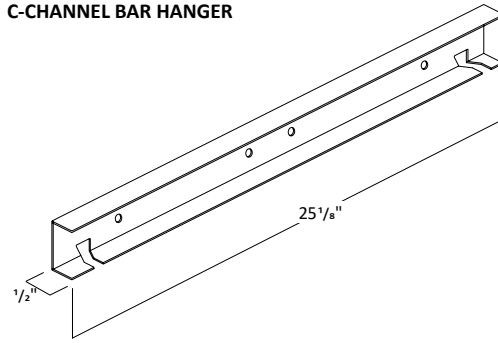
#### UNIVERSAL BAR HANGER

##### COMPATIBLE CEILING

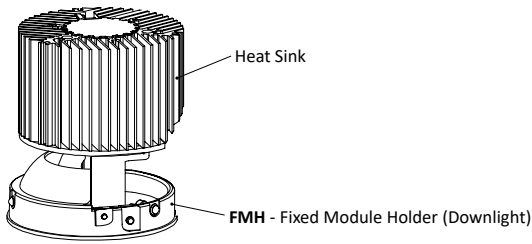
- Hat Channel
- T-Bar
- C-Channel
- Laminated Wood
- Quick-Span
- I-Beam
- Standard Joist



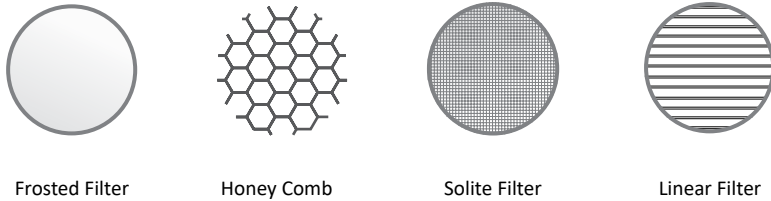
#### C-CHANNEL BAR HANGER



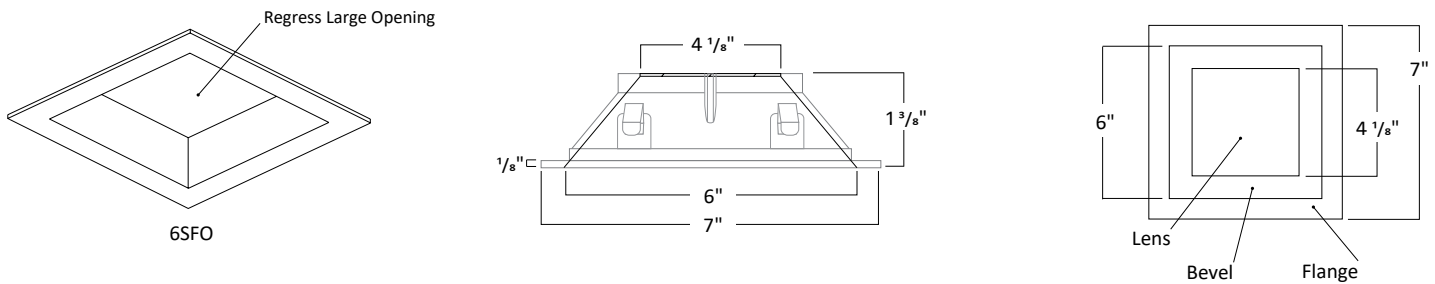
### LED MODULE



### FILTERS



### TRIM DIMENSIONS



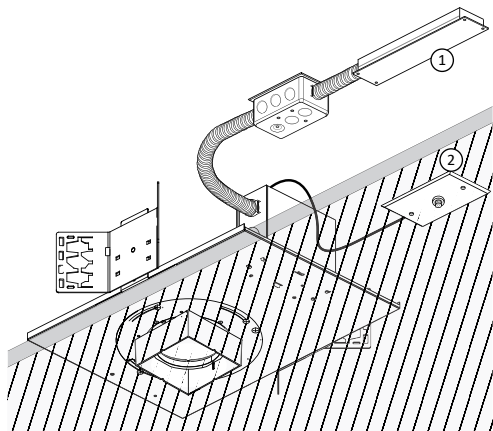
#### TRIM FINISH



\*Consult Factory for Made to Order Finishes

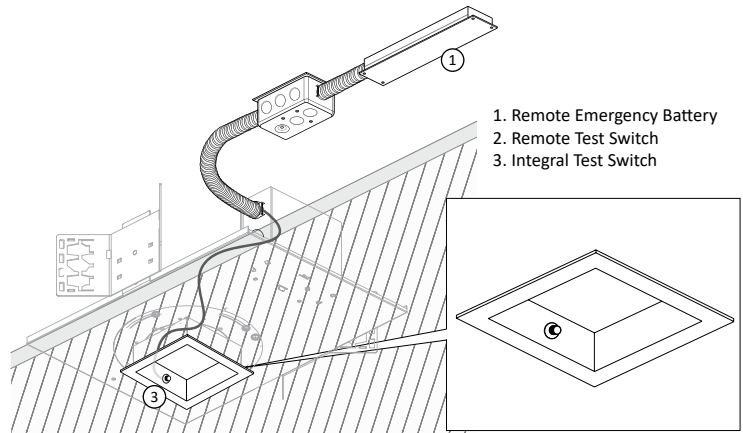
## 6" LED ARCHITECTURAL SQUARE FLANGE DOWNLIGHT NEW CONSTRUCTION: IC & NON IC

### REMOTE EMERGENCY BATTERY: NON-IC NEW CONSTRUCTION HOUSING



NC - Non-IC New Construction

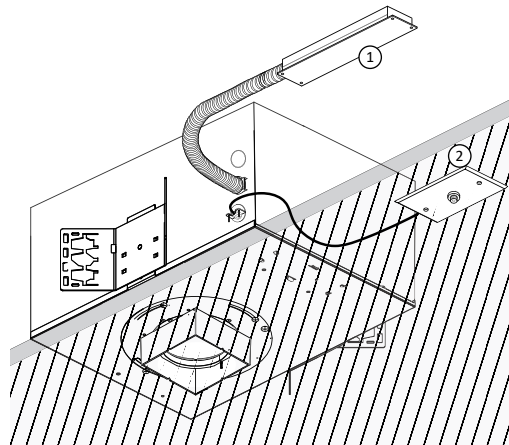
**ER8W** and **ER15W** is an 8W and 15W Emergency Battery that is remote to the fixture with a remote test switch. The EM unit is accessible from below the ceiling for replacement purposes.



NC - Non-IC New Construction

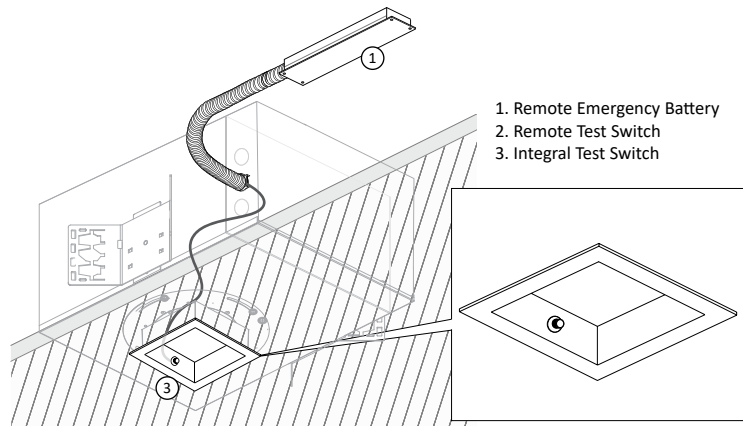
**EI8W** and **EI15W** is an 8W and 15W Emergency Battery that is remote to the fixture with an integral test switch. The EM unit is accessible from below the ceiling for replacement purposes.

### REMOTE EMERGENCY BATTERY: IC NEW CONSTRUCTION HOUSING



IC - IC Air-Tight New Construction

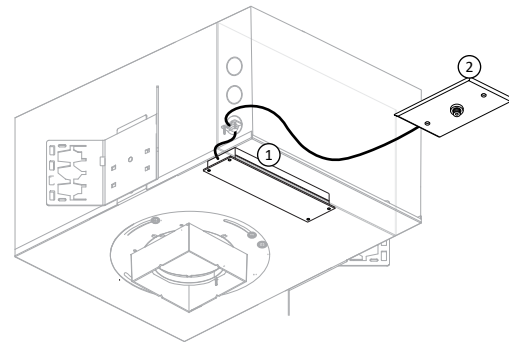
**ER8W** and **ER15W** is an 8W and 15W Emergency Battery that is remote to the fixture with a remote test switch. Ceiling access is required for replacement purposes.



IC - IC Air-Tight New Construction

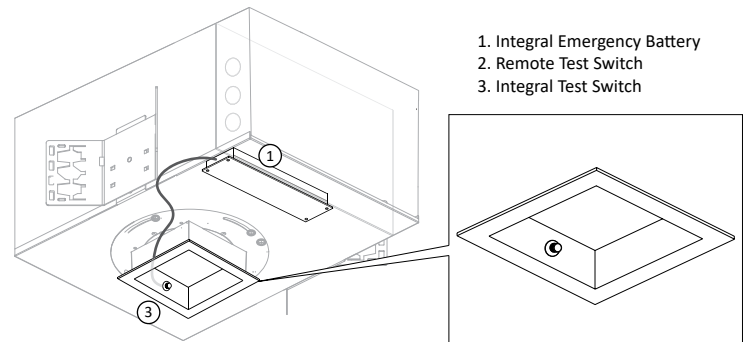
**EI8W** and **EI15W** is an 8W and 15W Emergency Battery that is remote to the fixture with an integral test switch. Ceiling access is required for replacement purposes.

### INTEGRAL EMERGENCY BATTERY: IC NEW CONSTRUCTION HOUSING



IC - IC Air-Tight New Construction

**ER4W** is a 4W Emergency Battery that is integral to the fixture with an remote test switch. The EM unit is accessible from below the ceiling for replacement purposes.



IC - IC Air-Tight New Construction

**EI4W** is a 4W Emergency Battery that is integral to the fixture with an integral test switch. The EM unit is accessible from below the ceiling for replacement purposes.

\*Available in IC housing only